

# 歐品電子(昆山)有限公司

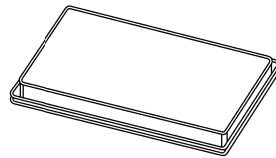
OUPIIN ELECTRONIC(KUNSHAN) CO.,LTD.

PACKAGING SPECIFICATION (包裝作業規範)

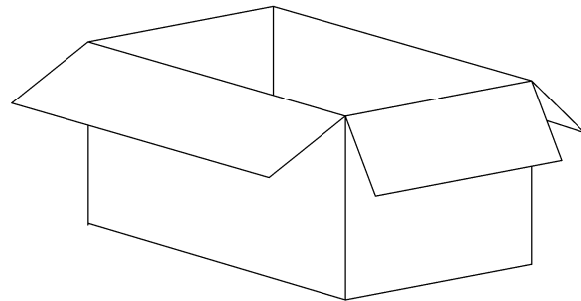
SPEC.NO.(規範編號)	8972SPP	適用產品: 8972-A09C30RUA	PAGE	1/1	REV.	I705
----------------	---------	----------------------	------	-----	------	------

PACKING OPERATION DIAGRAM & INSTRUCTION (包裝作業圖示及說明)

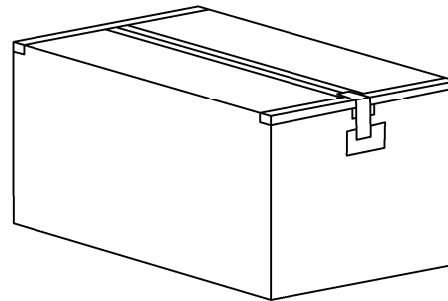
REMARK (備註)



80 pcs/Tray



Total: 25 Tray/Carton



Total: 340mmX240mmX330mm

**Packing:**  
80 Pcs/Tray  
25 Trays/Carton  
2000 Pcs/Carton

**Carton:**  
N.W.=4.0kg  
G.W.=6.9kg

Drawn By: Martin 07/25'22