

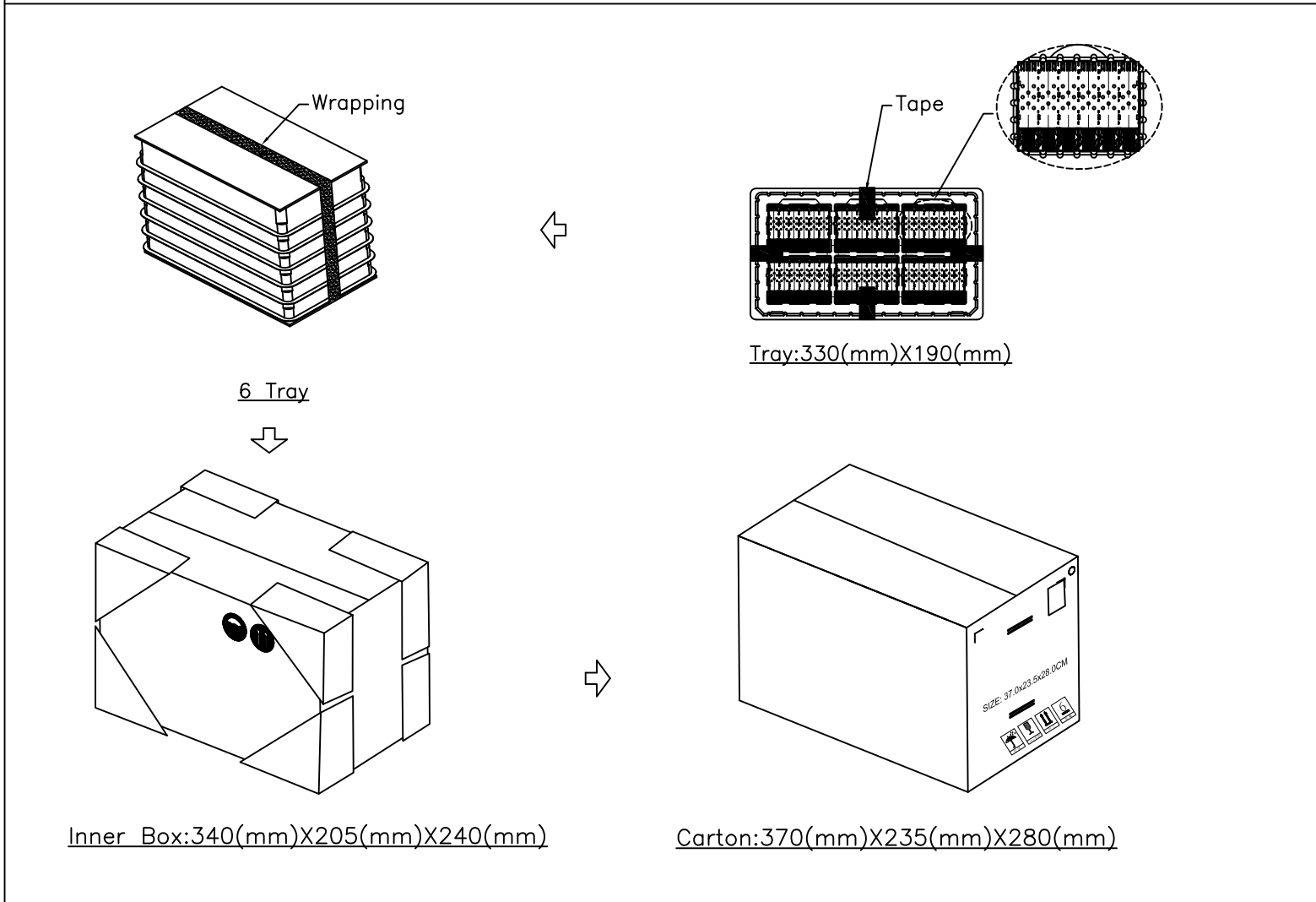
# 歐品電子(昆山)有限公司

OUPIIN ELECTRONIC(KUNSHAN) CO.,LTD.

PACKAGING SPECIFICATION (包裝作業規範)

SPEC.NO.(規範編號)	8952SPP-2X6A	適用產品: 8952-2X6CxxPExA & 8952-A2X6CxxPxxA	PAGE	1/1	REV.	I665-A2
----------------	--------------	--	------	-----	------	---------

PACKING OPERATION DIAGRAM & INSTRUCTION (包裝作業圖示及說明)	REMARK (備註)
---	-------------



<p><b>Package:</b>          6 Pcs/ Tray          6 Tray/ Inner Box          1 Inner Box/ Carton          36 Pcs/ Carton</p> <p><b>Carton:</b>          8952-2X6C15PE0A:          N.W.: 4.4 Kg          G.W.: 5.5 Kg          8952-A2X6C15PP0A:          N.W.: 4.2 Kg          G.W.: 5.4 Kg          8952-A2X6C15PS0A:          N.W.: 4.3 Kg          G.W.: 5.4 Kg</p>
<p>Drawn By: Vic Lyu 03/03'16</p>