

# 歐品電子(昆山)有限公司

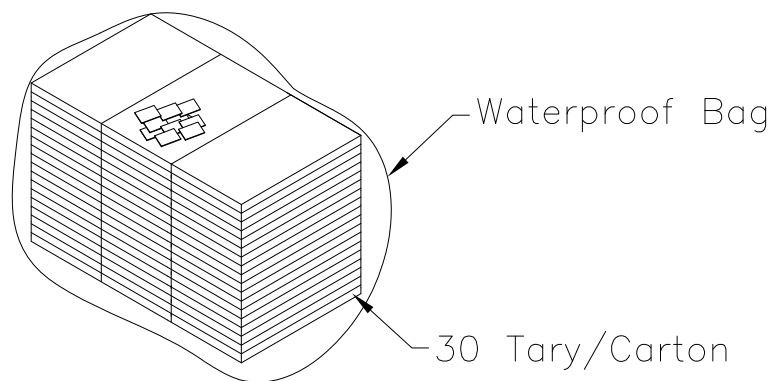
OUPIN ELECTRONIC(KUNSHAN) CO.,LTD.

PACKAGING SPECIFICATION (包裝作業規範)

SPEC.NO.(規範編號)	8949SPP-AL1881	適用產品: 8949-AL1881-xxS1xBA	PAGE	1/1	REV.	I563-A1
----------------	----------------	---------------------------	------	-----	------	---------

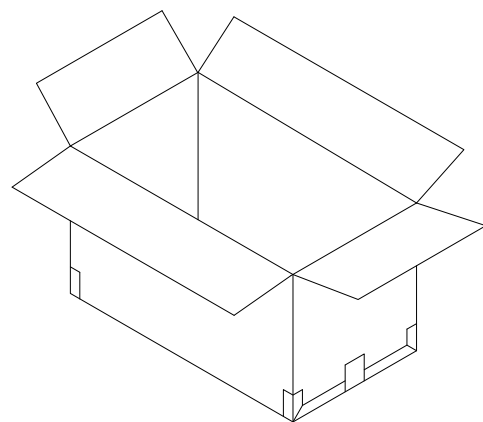
PACKING OPERATION DIAGRAM & INSTRUCTION (包裝作業圖示及說明)

REMARK (備註)

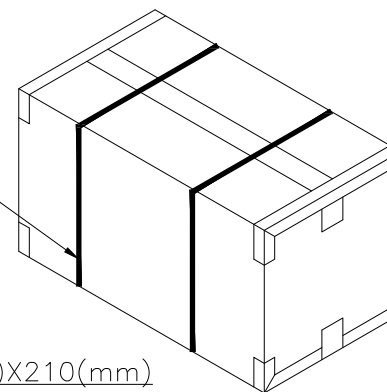


**Package:**  
90 Pcs/ Tray  
30 Tray/ Carton  
2700 Pcs/ Carton

N.W. : 12.7 kg  
G.W. : 15.7 kg



Packaging Strap



Carton:540(mm)X280(mm)X210(mm)

Drawn By: Ping 01/17'19