

# 歐品電子(昆山)有限公司

OUPIIN ELECTRONIC(KUNSHAN) CO.,LTD.

## PACKAGING SPECIFICATION (包裝作業規範)

CONFIDENTIAL  TOP SECRET

SPEC.NO.(規範編號) Q9111SPP-595				PAGE	1/4	REV.	D	
APPLICABLE CUSTOMER (適用客戶)	ALL	APPLICABLE PRODUCT (適用產品)	9111-102D176xCBxxU 9111-102E176xCBxxU 9111-102DE176xCBxxU 9111-102E176xCxxU/xxxx 9111-F88xCBxxU 9111-102E200xCBxxU 9111-102E152xCBxxU 9111-102D176xCxxU/xxxx 9111-102DE200xCBxxU 9111-102DE152xCBxxU 9111-F88xCBxxU/xxxx 9111-102F88xCxxU/xxxx 9111-102D176xCBxxU/xxxx 9111-102E200xCBxxU/xxxx 9111-102E200xCxxU/xxxx 9111-B102F88xC(CB)xxU/xxxx	PACKAGING CATEGORY (包裝方式)	TUBE PACKING			

### REVISION HISTORY (修訂履歷)

REV.	ECN NO	PAGE (頁次)								
		1	2	3	4					
B		Revise the quantity the packing (修改包裝數量)								
C		Revise the quantity the packing (修改包裝數量)								
D		Modify packing material and add material number (修改包材, 新增料號)								

DIVISION (事業單位)	Product Development (產品開發課)	APPROVED (核准)		CHECKED (審核)		PREPARED (制表)	XFF 08/21'18
-----------------	-----------------------------	---------------	--	--------------	--	---------------	--------------

# 歐品電子(昆山)有限公司

OUPIIN ELECTRONIC(KUNSHAN) CO.,LTD.

PACKAGING SPECIFICATION (包裝作業規範)

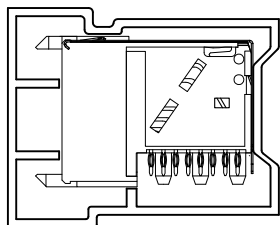
■ CONFIDENTIAL □ TOP SECRET

SPEC.NO.(規範編號) Q9111SPP-595

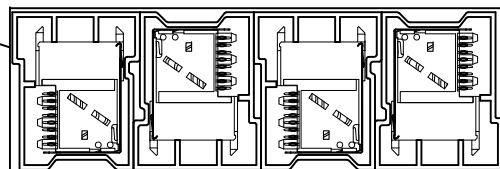
PAGE 2/4 REV. D

PACKING OPERATION DIAGRAM & INSTRUCTION (包裝作業圖示及說明)

REMARK (備注)

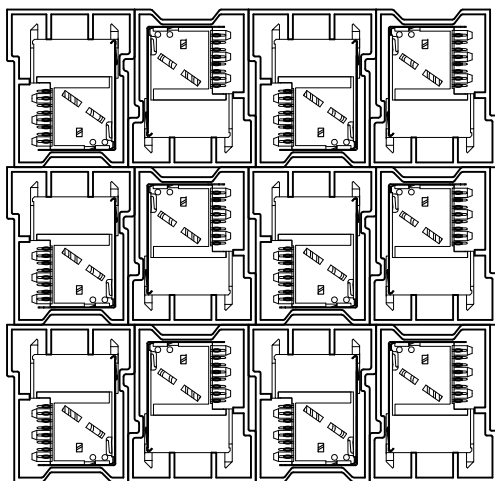


橡皮筋



Drawing One: Product Installing Mode  
(圖一產品裝入方式)

Drawing Two: Each Bundle Four Tubes  
(圖二: 每4管為1捆)



Drawing Three:Lay two bundles in each layer.Install in three layers.Five bundles,twenty tubes in all.

((圖3)每層放1捆。分3層放入,一盒共3捆,共12管)

Disposing schematic diagram of Tube in the inner box, for reference.

(管在內盒的擺放示意圖,供參考)

## 一.Inner box packing mode: (內盒包裝方式)

(1).Each tube packing mode:Stuff one end of tube with stopper, stuff the other end of the tube after load into definite quality of product. as shown in drawing One.And stuffing in stopper,the end of the stopper must be level with the tube mouth, can't be shown.

(每管包裝方式:用塞子塞住管子一頭,放入一定數量產品後,塞住另一頭,裝入方式如(圖一)所示.且塞子塞入後,末端要和管口平齊,不可外露.)

(2).Devide each four tubes product in three layers, laying mode:As shown in Drawing Two, the two ends are away from tube mouth 50mm, fix them with 1PCS rubber band.

(每4管產品分3層,放置方式:如(圖2)所示,兩頭離管口50mm處,各用1PCS橡皮筋纏2道固定.)

(3).Lay five bundles in one case with three layers, two bundles in one layer ,20 tubes in all. As shown in drawing Three.

(一盒3捆分3層放入,每層放1捆。共12管。如(圖三)所示)

# 歐品電子(昆山)有限公司

OUPIIN ELECTRONIC(KUNSHAN) CO.,LTD.

PACKAGING SPECIFICATION (包裝作業規範)

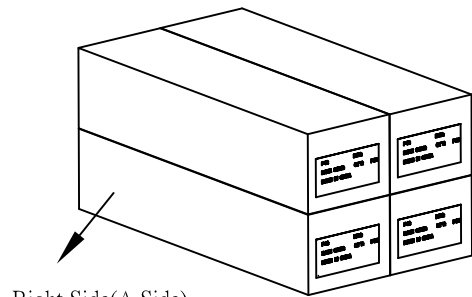
CONFIDENTIAL  TOP SECRET

SPEC.NO.(規範編號) Q9111SPP-595

PAGE 3/4 REV. D

## PACKING OPERATION DIAGRAM & INSTRUCTION (包裝作業圖示及說明)

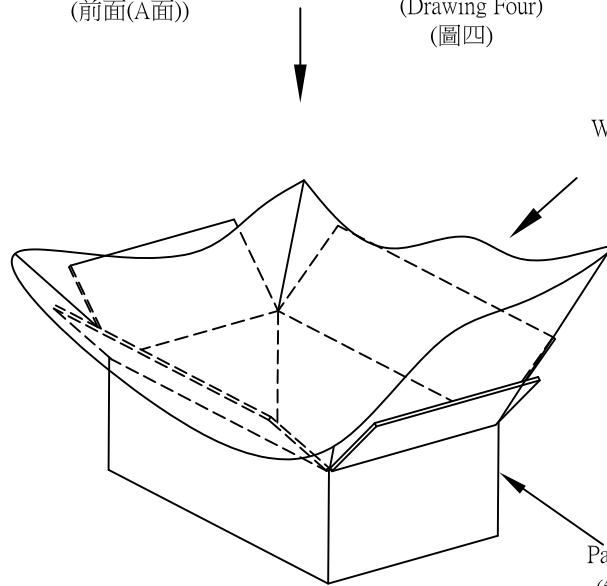
## REMARK (備注)



(Drawing Four)  
(圖四)

Inner Box 4PCS  
(內盒4PCS)  
CT-0  
(Specification:460\*130\*105)  
(規格:460\*130\*105)

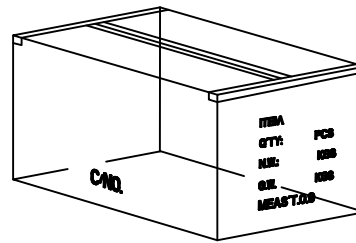
Laying Deriction:Put A Side at the Front  
(放置方向:A面朝前)



(Drawing Five)  
(圖五)

Waterproof Bag  
(防水袋)

Paprr Box CT-0.9 Specification:475\*275\*225  
(紙箱 CT-0.9規格:475\*275\*225)



(Drawing Six)  
(圖六)

## 二.Outer box packing mode: (外箱包裝方式)

- (1).Paper box CT-0.9 Standart 1 PCS.  
(紙箱CT-0.9規格 1 PCS.)
- (2).Put waterproof bag 1 PCS in the paper box.  
(紙箱內側放入防水袋 1 PCS.)
- (3).Put 4PCS inner box filled with product in the waterproof bag.  
(于防水袋內放入4PCS裝滿產品之內盒.)
- (4).Laying mode of the four inner boxes is that A side in front side.,  
the laying mode of the four inner boxes must in one direction.  
(四個內盒的放置方式為1面朝前放置,四內盒放置方向須一致.)
- (5).The detailed specification of inner box is shown in page two.  
(內盒之詳細包裝規範如第2頁.)
- (6).After laying inner boxes, tie the waterproof bag tightly.Seal the  
surface of the outer box.(Drawing Six)  
(放好內盒，扎緊防水袋。將外箱上層封口。(圖六))

The form on the right and flank side of the bo must be filled correctly  
and clearly, take actual testing weight as the standard of every box  
gross weight.

(外箱之正麥和側麥所要填寫之項目要填寫正確,清晰,每箱之  
毛重應以實測重量為準.)

# 歐品電子(昆山)有限公司

OUPIIN ELECTRONIC(KUNSHAN) CO.,LTD.

## PACKAGING SPECIFICATION (包裝作業規範)

CONFIDENTIAL     TOP SECRET

SPEC.NO.(規範編號)		Q9111SPP-595								PAGE: 4/4 REV. D			
PACKING MATERIAL (包裝材料)			PRODUCT P/N	PACKING N.W.	PACKING QUANTITY (包裝數量)					WEIGHT (重量) kg			
MATERIAL NAME (材料名稱)	PART NO. (料號)	Q'TY	(產品料號)	(包材重量)	PCS/TUBE	TUBE/INNER BOX	PCS/INNER BOX	INNER BOX/BOX	PCS/BOX	N.W./PCS	N.W./BOX	G.W./BOX	
PAPER BOXES (紙箱)	CT-0.9	1	9111-102D176xCBxxU	5.21	8	12	96	4	384	0.025900	9.95	15.16	
PACKING INNER BOX (內紙箱)	CT-0	4	9111-102D176xCBxxU-A001	5.21	8	12	96	4	384	0.025900	9.95	15.16	
			9111-102E176xCBxxU	5.21	9	12	108	4	432	0.028800	12.44	17.65	
			9111-102DE176xCBxxU	5.21	9	12	108	4	432	0.026900	11.62	16.83	
TUBE (管子)	TUBE-102-001	48	9111-102F88xCBxxU	5.21	16	12	192	4	768	0.012900	9.91	15.12	
			9111-102F88xCBxxU-A001	5.21	16	12	192	4	768	0.012900	9.91	15.12	
			9111-102F88xCBxxU-A002	5.21	16	12	192	4	768	0.012900	9.91	15.12	
TUBE PLUG (塞子)	-----	96	9111-102E200xCBxxU	5.21	8	12	96	4	384	0.027500	10.56	15.77	
			9111-102E200xCxxU-A001	5.21	8	12	96	4	384	0.022500	8.64	13.85	
			9111-102E200xCxxU-A002	5.21	8	12	96	4	384	0.026600	10.21	15.42	
WATERPROFF BAG (防水袋)	PE100*70	1	9111-102E200xCxxU-Axxx	5.21	8	12	96	4	384	0.026900	10.33	15.54	
			9111-102E152xCBxxU	5.21	11	12	132	4	528	0.022600	11.93	17.14	
			9111-102DE200xCBxxU	5.21	8	12	96	4	384	0.028600	10.98	16.19	
DRYING AGENT (干燥劑)	-----	3	9111-102DE152xCBxxU	5.21	11	12	132	4	528	0.023100	12.20	17.41	
			9111-102E176xCxxU(-Axxx)	5.21	8	12	96	4	384	0.024000	9.22	14.43	
RUBBER RIBE (橡皮筋)	-----	48	9111-102D176xCxxU(-Axxx)	5.21	8	12	96	4	384	0.024000	9.22	14.43	
			9111-102F88xCxxU(-Axxx)	5.21	16	12	192	4	768	0.024000	18.43	23.64	
			9111-102E200xCxxU(-Axxx)	5.21	8	12	96	4	384	0.024000	9.22	14.43	
			9111-102E152xCxxU(-Axxx)	5.21	10	12	120	4	480	0.024000	11.52	16.73	