

歐品電子(昆山)有限公司
 OUPIIN ELECTRONIC(KUNSHAN) CO.,LTD.
 包裝作業規範
 PACKAGING SPECIFICATION

CONFIDENTIAL
 TOP SECRET

規範編號SPEC.NO. Q9001SPP-384T1

PAGE 1/4 REV. F

適用客戶 APPLICABLE CUSTOMER 一般客戶
 適用產品 APPLICABLE PRODUCT 9001-66311A(Cxx)A

包裝方式 PACKAGING CATEGORY TRAY PLATE PACKAGE

修訂履歷 REVISION HISTORY

ECN REV. NO	頁次 PAGE								
	1	2	3	4					
C	Modify the Packing Quantity (修改包裝數量)								
D	Cancel upper cover change to empty chassis (取消上蓋變更為空底盤)								
E	Modification Plate Install Cover Explain (修改盤子包裝說明)								
F	Modification Plate Install Cover Explain (修改盤子包裝說明)								

事業單位 DIVISION 產品開發部 核准 APPROVED Peter Zhu 審核 CHECKED Nita Lu 制表 PREPARED Martin 06/19'23

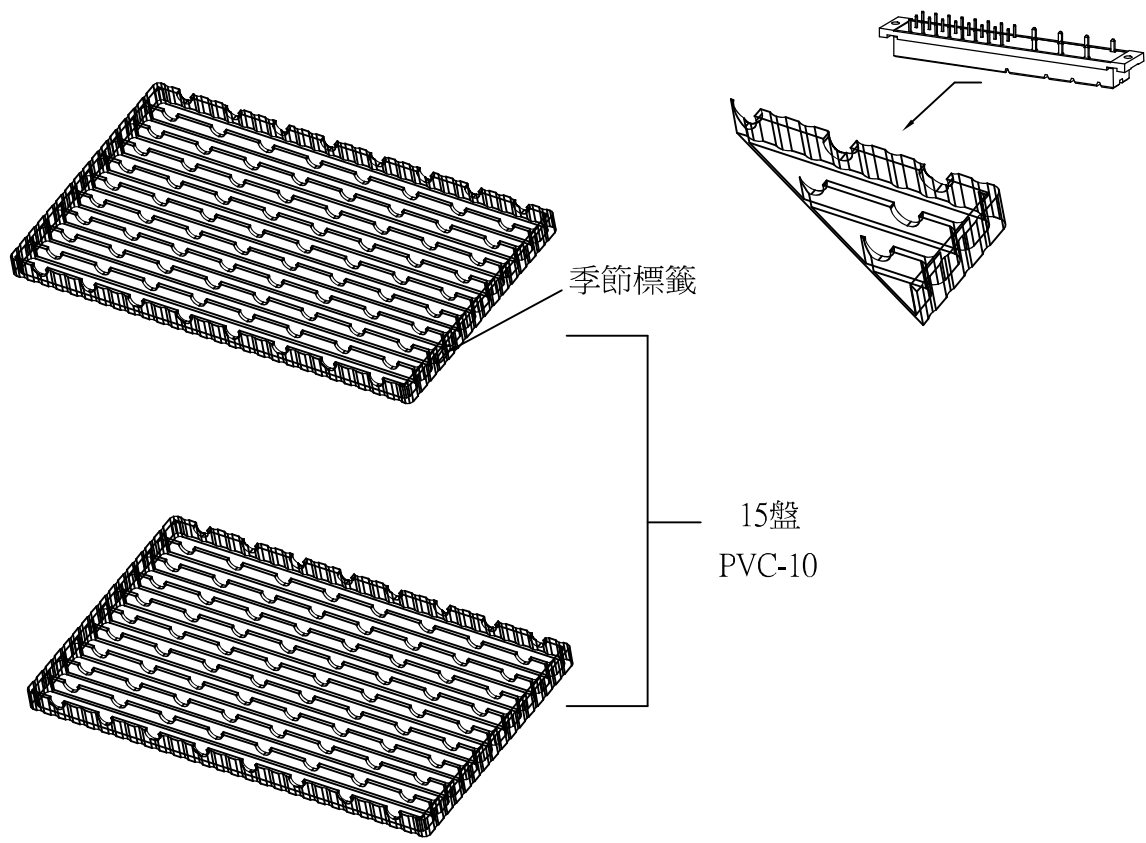
歐品電子(昆山)有限公司
 OUPIIN ELECTRONIC(KUNSHAN) CO.,LTD.
 包裝作業規範
 PACKAGING SPECIFICATION

<input checked="" type="checkbox"/> CONFIDENTIAL <input type="checkbox"/> TOP SECRET	
PAGE	2/4
REV.	F

規範編號SPEC.NO. | Q9001SPP-384T1

包裝作業圖示及說明 PACKING OPERATION DIAGRAM & INSTRUCTION

備注 REMARK



- 一.PVC Plate Packing Mode:
 (PVC盤包裝方式)
- (1).CT-1.6 Box: PVC-10 XX PCS.
 CT-1.9 Box: PVC-10 XX PCS.
 - (2).Put product in each trough fully as shown in diagram.
 (產品在盤子中擺放方式如圖所示)
 - (3).After filling each trough with product fully,paste the season label 1 PCS cover it with transparent upper cover PVC-073 1PCS。
 (每盤放滿產品後,貼上季節標籤 1PCS,加蓋透明上蓋PVC-073 1PCS)
 - (4).Stack the XX PVC plates filled with product, put them in the paper box in which has been put waterproof bag.
 (將放滿產品的XX個PVC盤疊起,裝入防水袋放入紙箱內)

歐品電子(昆山)有限公司
 OUPIIN ELECTRONIC(KUNSHAN) CO.,LTD.

包裝作業規範
 PACKAGING SPECIFICATION

CONFIDENTIAL TOP SECRET

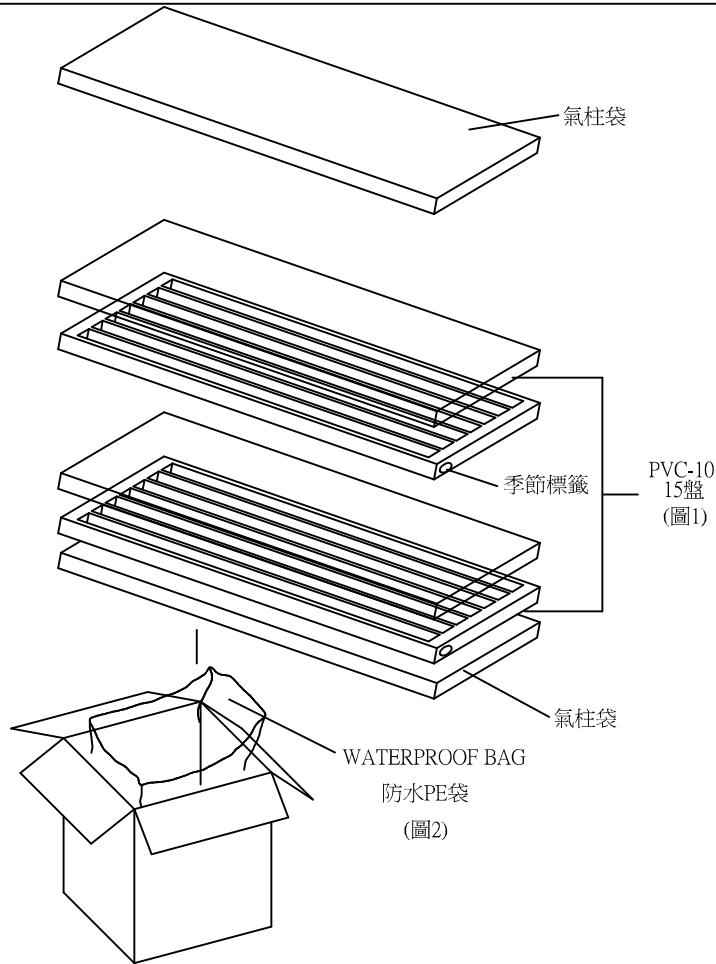
規範編號SPEC.NO. Q9001SPP-384T1

PAGE 3/4 REV. F

包裝作業圖示及說明

PACKING OPERATION DIAGRAM & INSTRUCTION

備注 REMARK



一. Outer Box Packing Mode:
 (外箱包裝方式)

- (1). Paper box 1.9 or 1.6 standard 1 PCS, as shown in drawing Two.
 (紙箱 1.9 或 1.6 規格 1 PCS, 如(圖二)所示)
- (2). Put one Air column bag in the upper and lower of the paper box, 2PCS in all, as shown in drawing One.
 (每箱上下各放一塊保麗龍, 共 2PCS, 如(圖一)所示)
- (3). Put 1 PCS waterproof in the paper box, as shown in drawing Two.
 (紙箱內側放入防水袋 1 PCS, 如(圖二)所示)
- (4). Piled the XX packing plates packed up in the waterproof.
 (將放滿產品的 XX 個 PVC 盤疊起, 裝入防水袋內)
- (5). Seal the waterproof bag, then put the Air column bag 1PCS on the bag.
 (Put 1 PCS Air column bag at the right and left side in the paper box if it is necessary.)
 (封上防水袋, 然後放上第二塊氣柱袋)
 (必要時, 在紙箱的左右兩側各放一塊氣柱袋)
- (6). Seal the surface of the outer box.
 (將外箱上層封口.)

The form on the right and flank side of the box must be filled correctly and clearly, take actual testing weight as the standard of each box gross weight.

外箱之正麥和側麥所要填寫之項目要填寫正確, 清晰, 每箱之毛重應以實測重量為準。

*. 標示單依制造時期每一季度更換一次顏色, 具體實施如下:

PART NO	顏色	月份	PART NO	顏色	月份
083-T001-745	藍色	1~3月	083-T004-745	綠色	4~6月
083-T002-745	黃色	7~9月	083-T005-745	紫色	10~12月

歐品電子(昆山)有限公司

OUPIIN ELECTRONIC(KUNSHAN) CO.,LTD.

PACKAGING SPECIFICATION (包裝作業規範)

CONFIDENTIAL TOP SECRET

PAGE: 4/4 REV. F

PACKING MATERIAL (包裝材料)			PRODUCT P/N	CT NO.	PACKING N.W.	PACKING QUANTITY (包裝數量)			WEIGHT (重量) kg		
MATERIAL NAME (材料名稱)	PART NO. (料號)	Q'TY	(產品料號)	(紙箱規格)	(包材重量)	PCS/TRAY	TRAY/BOX	PCS/BOX	N.W./PCS	N.W./BOX	G.W./BOX
PAPER BOXES (紙箱)	CT-1.6	1	9001-66311A(Cxx)A	CT-1.6	3.82	40	15	600	0.01480	8.88	12.70
Packing Box (包裝盒)	PVC-10	----									
Packing Box Cover (包裝盒蓋子)	PCV-073	----									
WATERPROOF BAG (防水袋)	PE100*90	1									
Air column bag (氣柱袋)	-----	2									
DRYING AGENT (干燥劑)	-----	3									

1.NOTE:

(注意)

When the finished products have been made,take the actual weight as the standard of gross weight in each box.

(成品出貨時,每箱之毛重應以實測重量為準)

When the finished products have been made,stick the proper designation list on the box according to product demand.

(成品出貨時,依據出貨要求貼上相對應的標籤單)