



## PRODUCT SPECIFICATION OF Oupiin

# PRODUCT SPECIFICATION

## 產品規格書

產品名稱 Description	產品料號 Part No.	圖號 Drawing No.
9390 Series Female Straight/ Male Straight	9390-2H03C00X40	9390-D0000-003
	9390-2H03C00X30	9390-D0000-002
	9390-3H03C00A	9390-D0000-001

PRODUCT NAME 產品名稱	DOCUMENT No.: 文件編號	Rev. 版本	OUPIIN
9390 Series Female Straight/Male Straight	9390spec	C	歐品電子
	Approved 核准	Checked 審核	Prepared 制作
	QA. Chief	Joseph Yen	09.21/2017



# PRODUCT SPECIFICATION OF Oupiin

## 1. SCOPE 適用範圍

This product specification defines the product performance and the test methods to ascertain the performance of the 9390 Series Female Straight/Male Straight Connector, which is designed and manufactured by Oupiin Electronic Co., Ltd. This product specification is applicable but not only for those part numbers which be shown in the cover page.

本產品規格書規定了由歐品電子有限公司設計生產的9390 Series Female Straight/Male Straight型連接器產品的特性及測試方法。本產品規格書適用於但不局限於封面所顯示的產品料號。

## 2. REFERENCE DOCUMENTS 參考文件

MIL-STD-1344	Test method for electrical connector 電子連接器測試方法
MIL-STD-202	Test method for electrical components 電子零件測試方法
EIA364	Test method for electrical components 電子零件測試方法
JIS C 0051	Test method for electrical components 電子零件測試方法
MIL-G-45204C	Specification for gold plating 鍍金規格
IEC-512-3	IEC standard for current carrying capacity tests IEC電流測試標準
QQ-N-290A	Specification for nickel plating 鍍鎳規格
MIL-P-81728A	Specification for tin/lead plating 鍍錫鉛規格
MIL-T-10727B	Specification for tin plating 鍍錫規格
UL1977	UL standard for safety of attachment plug and receptacle UL安規要求標準
EN/ISO5961	Determination of total lead & cadmium content 總鉛和總鎘含量測定
EN1122	Determination of total lead & cadmium content 總鉛和總鎘含量測定
EN13346	Determination of heavy metals content 重金屬含量測定
EPA3052	Determination of total lead & cadmium content 總鉛和總鎘含量測定

## 3. FEATURE & DIMENSIONS 特征及尺寸

### 3.1. PRODUCT DIMENSION 產品尺寸

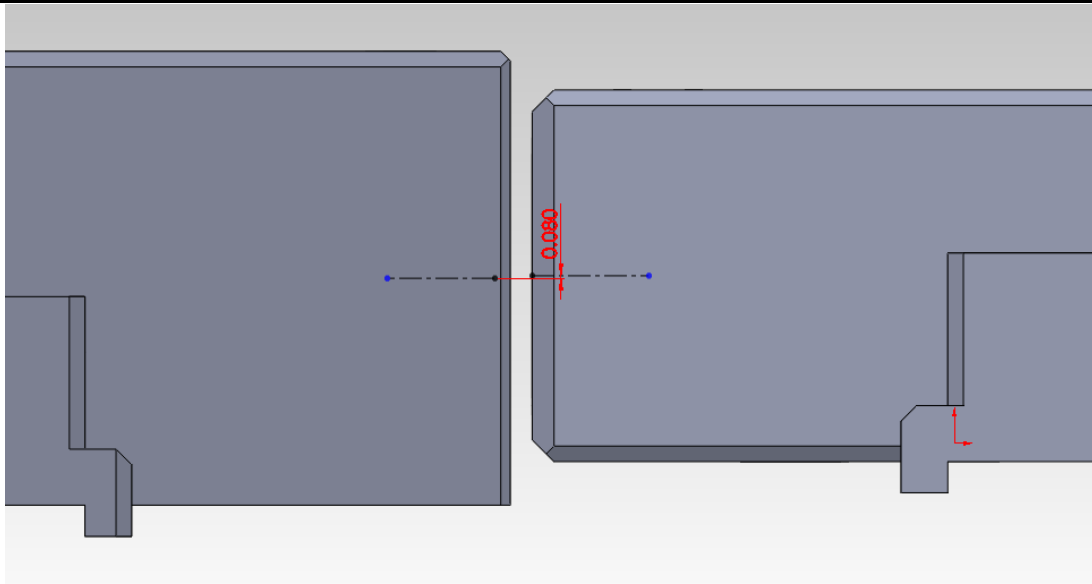
These connectors shall have the dimensions as shown in drawing.

本產品的相關尺寸參見圖面。

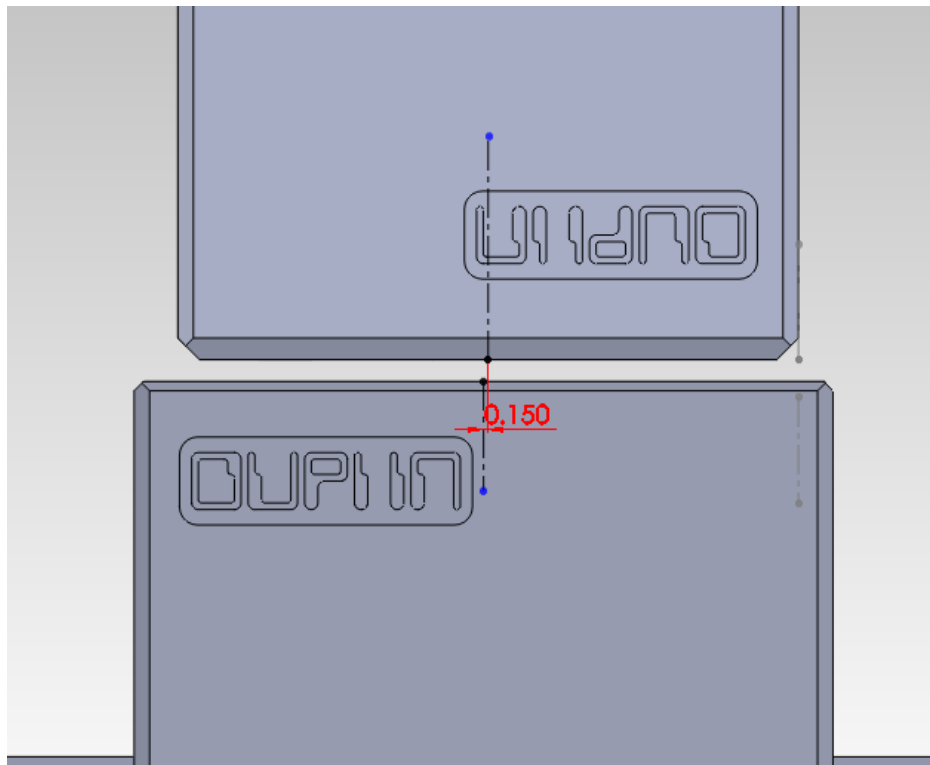
### 3.2.MALE AND FEMALE PRODUCT 公母產品裝配

#### 3.2.1 Perpendicular to engaging direction 垂直插入方向

the design of the centering and guiding in the mpc of the free and fixed board connector modules shall accept a misalignment of 0.15MM in transverse and 0.08MM in longitudinal axes of the connector 固定板連接器模件的Mpc裡，連接器設計中心線橫向可接受0.15mm和縱向可接受0.08mm的偏差。



allowed misalignment in transverse axes 在縱向方向允許對插偏差量

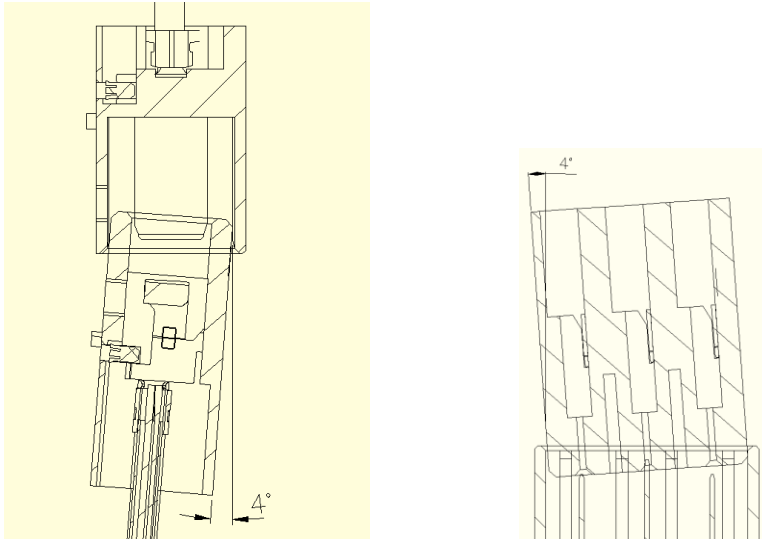


allowed misalignment in longitudinal axes 在橫向方向允許對插偏差量

### 3.2.3 Inclination 傾向

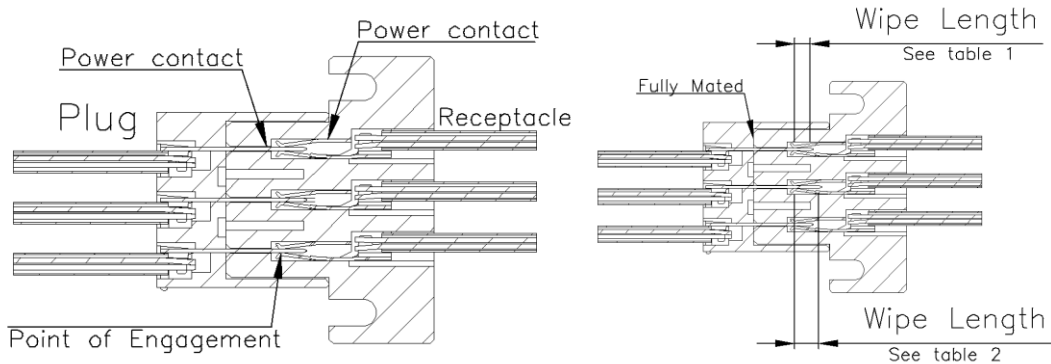
The center and guiding in the Mpc OF THE FREE AND THE FIXED BOARD connector modules shall allow an initial angular misalignment of 2 FROM both the transverse and longitudinal axes

固定板連接器模件的在Mpc裡,連接器可接受橫向和衝向4° 的最大傾斜對插角度。



### 3.2.4 Capability for products wipe length

產品接觸長度等級



3

CONTACT	MATING LEVEL	WIPE LENGTH(MIN)
Power Pin	1	2.77mm
	2	4.30mm

### 3.3. PCB/PANEL LAYOUT 印刷電路板佈局

The recommended PCB layout is shown in drawing.

本產品適用的 PCB layout 參見圖面。

### 3.4. BILL OF MATERIAL 材料清單

Harmful material controlling follows the requirements of RoHS. The bill of material is described in drawing.

有害物質控制符合RoHS指令要求。本產品使用的材料參見圖面。



# PRODUCT SPECIFICATION OF Oupin

## 3.5. MECHANICAL & ELECTRICAL CHARACTERISTIC 機械及電氣特性

The connector shall have the mechanical and electrical performance as described in drawing.

本產品的機械及電氣特性參見圖面。

## 3.6. PACKAGING 包裝

Products shall be packaged according to requirements specified in purchase order for safe delivery, connector container and the packaging method are shown in package specification.

產品可依客戶指定要求包裝，包裝材料與包裝方式參見產品包裝規範。

## 3.7. RATING CURRENT, RATING VOLTAGE AND TR 額定電流,額定電壓及溫升

Rating current: 額定電流

Power Contacts			
Module (Power Contact Pitch)	One Adjacent Power Contact	Two Adjacent Power Contact	Four Adjacent Power Contact
6.60mm	15A		

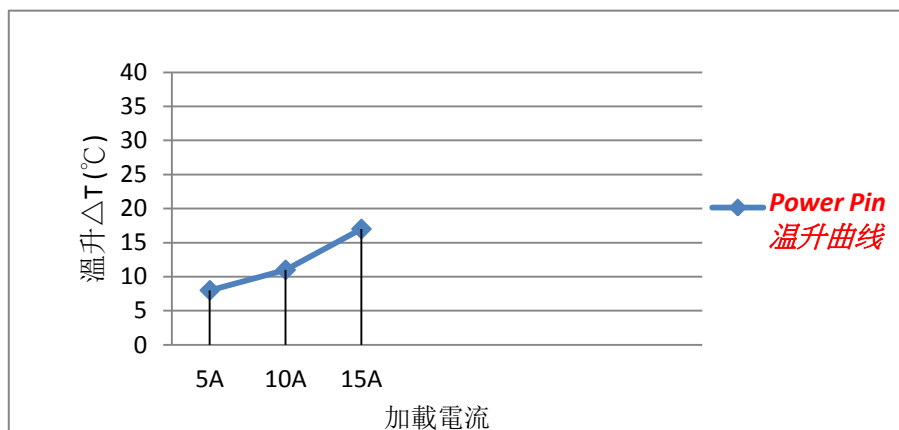
rating voltage: Power Pin:750V DC RMS.

額定電壓: Power Pin:750V DC RMS.

## 3.8 TEMPERATURE RISE 溫升

1.Chart of Temperature rise vs current( series connection with all contact of SPEC)

加載電流對應溫升曲線圖(相同規格的所有 PIN 串聯起來)





## **PRODUCT SPECIFICATION OF Oupiin**

### **3.9 STORAGE AND OPERATING TEMPERATURE 存貯與使用溫度**

Temperature range:  $-20^{\circ}\text{C}\sim+105^{\circ}\text{C}$ , including terminal temperature rise for rating current.

Storage Temperature :  $0^{\circ}\text{C}\sim+40^{\circ}\text{C}$ , Humidity: 80%RH under 。

溫度範圍： $-20^{\circ}\text{C}\sim+105^{\circ}\text{C}$ ,包含接觸端子的額定電流溫升.

儲存溫度： $0^{\circ}\text{C}\sim+40^{\circ}\text{C}$ ，濕度：80%RH以下.

### **4. PERFORMANCE AND TEST DESCRIPTION 性能及測試**

#### **4.1. REQUIREMENT 要求**

Product is designed to meet electrical, mechanical, and environmental performance requirements specified in **Table I**.

本產品設計符合附表一所列的機械，電氣及環境要求。

#### **4.2. TEST CONDITION 測試條件**

Unless otherwise specified, all tests shall be performed at ambient environmental conditions.

除非特別注明，所有測試在室溫條件下完成。

#### **4.3. SAMPLE SELECTION 樣品選擇**

Test samples shall be selected at random from current production. No test samples shall be reused.

Samples are pre-conditioned with 10cycles of durability. Each group shall be containing 5 test samples at least.

測試樣品從現生產的產品中隨機抽取，所有測試過的樣品不得重複使用。樣品已預先插拔10次，每組測試至少有5個樣品。



## PRODUCT SPECIFICATION OF Oupiin

**Table I: Test Requirements and Methods**

**附表一：測試要求與方法**

Items 項目	Requirements 要求	Test Methods 測試方法
1. Confirmation of Product 產品確認	Product shall be conforming to the requirements of applicable product drawing. 產品必須符合相關產品圖面的要求。	Visually, dimensions and functionally inspected per applicable product drawing. 依相關產品圖面，檢查產品的外觀、尺寸及功能。
2. Contact Resistance 接觸阻抗	Power pin: 2.0mΩ Max initial. Power pin 初始狀態 2.0mΩ Max	Subject mated contacts assembled in housing to closed circuit of 20 mA max,20mV max.所述固定端子連結到一個封閉回路中測試,電流 20 mA max,電壓 20 mV max。
	Per EIA 364 TP06 適用：EIA 364 TP06	
3. Insulation Resistance 絕緣阻抗	Power Pin:20000 MΩ Min. Power Pin:最小 20000 MΩ。	Measure by applying test potential between the adjacent contacts, and between the contacts and ground in the mated connector. (500 V DC±10%). 測試產品相鄰端子間以及端子與接地間的電阻 (500 V DC±10%)。
	Per EIA 364-21 TP06 ,Condition B 適用：EIA 364 -21TP06,條件 B	
4. Dielectric Withstanding Voltage 耐電壓	Power pin must withstand test potential of 2500VDC for 1 minute, current leakage must be 1.0mA Max. Power pin 必須承受測試電壓 2500 VDC，時間 1 分鐘，漏電流不大于 1.0 mA	Measure by applying test potential between the adjacent contacts, and between the contacts and ground in the mated connector. 對產品相鄰端子間以及端子與接地間加載電壓，並測試其漏電流。
	Per EIA-364-20 適用：EIA-364-20.	
5. Durability (Repeated Mating/Un-mating) 耐久性	Power Pin Resistance: 2.0mΩ Max. after testing. Power Pin 測試後接觸阻抗最大 2.0mΩ。	Repeat mate and unmated for connector200 cycles, at a speed of 25.4mm per minute. 重復進行配合產品200 次插拔，速度每分鐘 25.4mm
	Per EIA-364-09 適用：EIA-364-09	



## PRODUCT SPECIFICATION OF Oupin

<p>6. Mating /Un-mating Force 插入力/拔出力</p>	<p>Mating force Power Pin:10N/PIN Max Un-mating force: Power Pin:1.5N/PIN Min 插入力最大 Power Pin:10N/PIN Max 拔出力最小 Power Pin:1.5N/PIN Min</p> <hr/> <p>Per EIA-364-37B 適用： EIA-364-37B</p>	<p>At a speed of 25.4±3 mm/minute, apply axial insert the mating part into fully or pull out from the subject product. 以 25.4±3 mm/分鐘的速度，軸向完全插入對配插件到被測產品中或從被測產品中拔出。</p>
<p>7. Vibration 機械振動</p>	<p>No electrical discontinuity greater than 1 μs shall occur, Contact Resistance: Power Pin: 2.0 mΩ Max. 不允許出現超過1 μs 的瞬間斷開，接觸阻抗： Power Pin:最大 2.0mΩ。</p> <hr/> <p>Per EIA-364-28. 適用： EIA-364-TP-28。</p>	<p>Subject mated connector to 10-55-10 Hz traversed in 1 minute at 1.5 mm amplitude, 2 hours each of 3 mutually perpendicular plane, 10 mA potential applied. EIA 364 TP28 對測試產品，在頻率變化每分鐘從10-55-10 Hz,振幅 1.5 mm 條件下，在互相垂直的三個面上，每個面 2 小時下測量，電流 10 mA。</p>
<p>8. Mechanical Shock 機械沖擊</p>	<p>Electrical discontinuity less than 1μs. 電流瞬斷時間小於1μs.</p>	<p>Accelerate Velocity: 50G; Waveform:Half-sine shock plus; Duration:11msec; 3drops each to normal and reversed directions of X,Y and Z axes; 速度50G; 半正弦波; 持續11 毫秒; ±X, ±Y, ±Z, 方向各3 次;</p>
<p>9. Thermal Shock 溫度沖擊</p>	<p>After testing, no damage, Contact Resistance :. Power Pin: 2.0mΩ Max. 測試後產品無損壞，接觸阻抗： Power Pin:最大2.0mΩ。</p> <hr/> <p>Per EIA-364-32 適用： EIA-364-32</p>	<p>Temperature range from -20°C to +80°C. Start from -20°C, after 30 minutes, change to +80°C; change time is no more than 5 minutes, total 36 cycles. EIA 364 TP 32. 溫度變化範圍： -20°C~ +80°C。從 -20°C 開始，30 分鐘後換到+80°C，轉換時間不超過5 分鐘，共 36 個循環。</p>
<p>10. Humidity-Temperature Cycle 溫濕度循環</p>	<p>After testing, no damage, Maximum Change: Power Contact: 2.0 mΩ. Dielectric Strength should be OK, Insulation Resistance should be 1000 MΩ Min. 測試後產品無損壞，接觸阻抗：接觸阻抗電源 PIN 最大變化 2.0mΩ；耐電壓測試 OK，絕緣阻抗最小 1000 MΩ。</p> <hr/> <p>Per EIA-364-31B 適用： EIA-364-31B</p>	<p>Subject product to 25~65°C, 50-80%.R.H 24Cycles. 產品置於 25~65°C,相對濕度：50-80%,循環 24 次。</p>





## **PRODUCT SPECIFICATION OF Oupiin**

<p>11. Test temperature rise for rating current 溫升測試</p>	<p>The temperature rise above ambient shall not exceed 30 °C 。 溫度不能超過 30 °C 。 Ambient conditions - Still air 25°C 。 周圍環境溫度 25°C 。</p> <p>Per EIA-364-70 參考規範： EIA-364-70</p>	<p>Subject mated contacts assembled in housing to closed circuit of Power Pin:15A max. 所述固定在外殼包的端子連結到一個封閉回路中測試 Power Pin:15A 。</p>
<p>12. Salt Spray 鹽霧</p>	<p>After testing, no damage, Maximum Change: Power Contact: 2.0mΩ. Dielectric Strength should be OK, Insulation Resistance should be 1000 MΩ Min. 測試後產品無損壞，接觸阻抗:電源 PIN 最大變化 2.0mΩ；耐電壓測試 OK，絕緣阻抗最小 1000 MΩ 。</p> <p>Per MIL-STD-202, Method 101, condition B 適用：MIL-STD-202，方法 101，條件 B 。</p>	<p>5±1% salt concentration(PH=7.0) ,48 hours 35±2°C:. 鹽水濃度 5±1%(PH=7.0),時間 48 小時，溫度 35±2°C 。</p>
<p>13.High Temperature Life 高溫老化</p>	<p>After testing, no damage, Contact Resistance :Power Pin: 2.0 mΩ Max. 測試後產品無損壞，接觸阻抗: Power Pin:最大 2.0mΩ 。</p> <p>Per EIA-364-17 Method A 適用：EIA-364-17，條件 A 。</p>	



# PRODUCT SPECIFICATION OF Oupiin

Material Housing & Plug : 069-LCP(Black)

[SGS Test Report Click here](#)

[如需 SGS 測試報告請點選此處](#)

長春人造樹脂廠股份有限公司

台北市 10477 松江路三 0 一號七樓

CHANG CHUN PLASTICS CO.,LTD.

CABLE ADDRESS :  
LONGLITE TAIPEI  
TLX:22535 LONGLITE

No.301, SONGKIANG ROAD, 7<sup>TH</sup> FL.,  
TAIPEI, 10477 TAIWAN

TEL: (02)2503-8131 (REP)  
FAX: ( 02)2503-3378

## Technical Data

### Liquid Crystalline Polymer Compound

### LONGLITE<sup>®</sup> LCP 270B3G / 270N3G

LCP-270B(N)3G is liquid crystalline polymer which contains 30% glass fiber.

LCP-270B(N)3G has advantages of high heat resistance, strength and good flowability.

#### Physical Properties :

Items	Unit	Test Method	270B3G* 270N3G
Features	heat resistance/low warpage		
Filler	%	---	Glass Fiber
Filler Content		ASTM	30
Specific Gravity	---	D792	1.62
Water Absorption	%	D570	0.04
Shrinkage	MD	CCP method	0.19
	TD		0.39
Tensile Strength(RT)	MPa	D638	122
Tensile Elongation(RT)	%		1.8
Flexural Strength (RT)	MPa	D790	190
Flexural Modulus (RT)	GPa		12.5
Izod Impact (3.0t/w notched)	J/m	D256	110
HDT (264 psi)	°C	D648	270
Dielectric Strength	KV/mm	D149	19
Arc Resistance	sec	D495	150
UL-94(NC, BK)	Rating	UL94	V-0
Tracking Resistance (CTI)	V	D257	125
Dielectric Constant / Dk	---	10 <sup>6</sup> Hz (1 MHz)	4.5
Dielectric Tangent / Df	---	10 <sup>6</sup> Hz (1 MHz)	0.036

\* Typical data : Not to be constructed as specification

LCP-270B(N)3G B : Black N : Natural color



# PRODUCT SPECIFICATION OF Oupiin

## Material Housing :UL

UL iQ™ for Plastics

Page 1 of 1

Component - Plastics

E59481

**CHANG CHUN PLASTICS CO LTD**

7TH FL, 301 SONGKIANG RD, TAIPEI 104 TW

**270(X1)3G**

Liquid Crystal Polymer (LCP), "LONGLITE", furnished as pellets

Color	Min Thk (mm)	Flame Class	HWI	HAI	RTI Elec	RTI Imp	RTI Str
BK	0.3	V-0	4	0	130	130	130
	1.0	V-0	2	0	130	130	130
	3.0	V-0	0	0	130	130	130

Comparative Tracking Index (CTI): **4**      Inclined Plane Tracking (IPT): -  
 Dielectric Strength (kV/mm): -      Volume Resistivity (10<sup>2</sup> ohm-cm) :-  
 High-Voltage Arc Tracking Rate (HVTR): **2**      High Volt, Low Current Arc Resis (D495): **5**  
 Dimensional Stability (%): -

(X1) - Maybe replace by one letter N representing Natural color or B representing Black color

ANSI/UL 94 small-scale test data does not pertain to building materials, furnishings and related contents. ANSI/UL 94 small-scale test data is intended solely for determining the flammability of plastic materials used in the components and parts of end-product devices and appliances, where the acceptability of the combination is determined by UL.

Report Date:2013-07-12  
 Last Revised:2013-07-12

© 2013 UL LLC



### IEC and ISO Test Methods

Test Name	Test Method	Units	Thickness Tested (mm)	Value
Flammability	IEC 60695-11-10	Class (color)	0.3	V-0 (BK)
			1.0	V-0 (BK)
			3.0	V-0 (BK)
Glow-Wire Flammability (GWFI)	IEC 60695-2-12	C	-	-
Glow-Wire Ignition (GWIT)	IEC 60695-2-13	C	-	-
IEC Comparative Tracking Index	IEC 60112	Volts (Max)	-	-
IEC Ball Pressure	IEC 60695-10-2	C	-	-
ISO Heat Deflection (1.80 MPa)	ISO 75-2	C	-	-
ISO Tensile Strength	ISO 527-2	MPa	-	-
ISO Flexural Strength	ISO 178	MPa	-	-
ISO Tensile Impact	ISO 8256	kJ/m <sup>2</sup>	-	-
ISO Izod Impact	ISO 180	kJ/m <sup>2</sup>	-	-
ISO Charpy Impact	ISO 179-2	kJ/m <sup>2</sup>	-	-

© 2013 UL LLC



# PRODUCT SPECIFICATION OF Oupin

Material Power Pin : Copper Alloy (C18400)

[SGS Test Report Click here](#)

[如需 SGS 測試報告請點選此處](#)



## INSPECTION REPORT

客戶名稱 CUSTOMER	弘振企業股份有限公司
------------------	------------

鎧 蔚 企 業 有 限 公 司  
**METALEX ENTERPRISE CO., LTD**  
 No.108-3, Sec. 1, Guangfu Rd., SanChong District,  
 New Taipei City 24158, Taiwan  
 TEL : +886-2-2278-1989 FAX : +886-2-2999-9687

品名 PRODUCT	C18400-R540	母料號碼 LOT NO	C09I12-1F	日期 DATE	2014/10/23
規格 SIZE	0.64 X 310	重量 QUANTITY	1454 KG	序號 NO.	131000015

### 化學成份 CHEMICAL COMPOSITION

成分符號 ELEMENT	Cu	CR	ZR						
規格 SPEC (%)	MIN	0.2	0.03						
	MAX	1.2	0.3						
分析值 ANALYSIS VALUE	99.2250	0.5686	0.1509						

### 機械特性試驗 MECHANICAL TESTING

項目 ITEM	抗拉強度 Tensile Strength N/mm <sup>2</sup>	屈服強度 Yield Strength N/mm <sup>2</sup>	伸長率 Elongation %	導電率 Electrical Conductivity %IACS	硬度 Hardness (for reference only) HV
規格 SPEC	MIN	540	500	4	83
	MAX	630			190
實測值 MEASURED VALUE	555	510	9.5	90.12	156

### 尺寸量測 GEOMETRICAL DIMENSIONS

項目 ITEM	厚度 Thickness (mm)	寬度 Width (mm)	粗糙度 Ra um		
規格 SPEC	MIN	0.610	309		
	MAX	0.670	311	0.15	
實測值 MEASURED VALUE	0.640	310	0.07-0.08		

### 備註 REMARKS

\*厚度 ≤ 0.12T 以下者, 硬度僅供參考.

	責任者	品質擔當者

