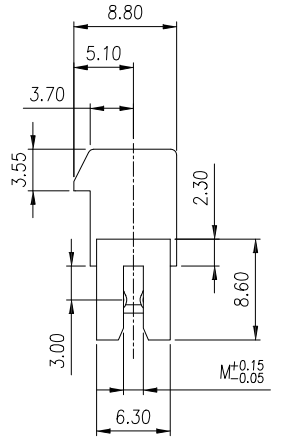
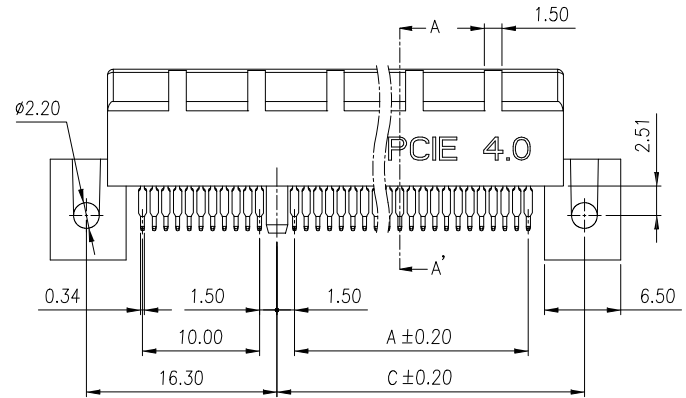
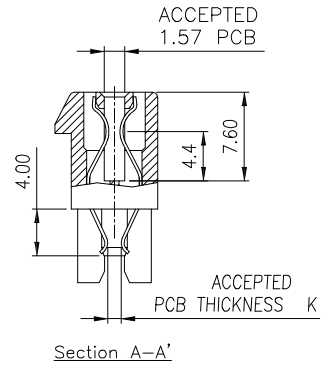
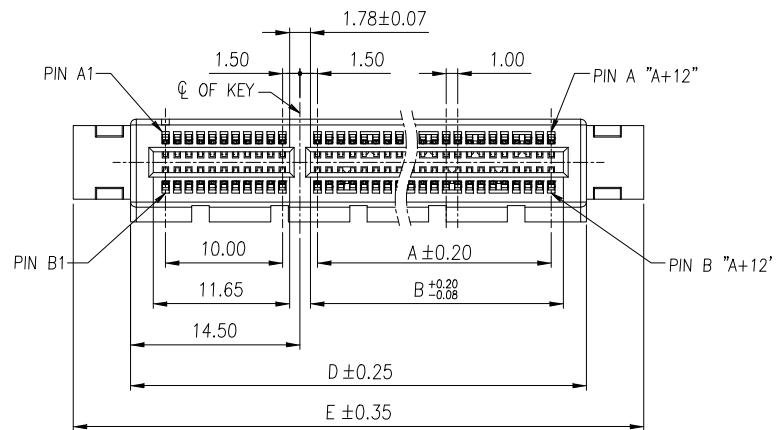


REV.	SPECIFICATION	ECN NO.	APPD.



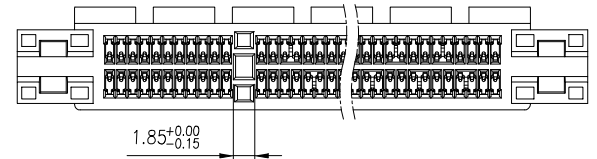
8406-C xx C 00 K F x A -P -G4

Series — 8406-C
 Positions — xx
 C: Selective Gold Plated
 00: Gold Flash
 15: 15u"
 30: 30u"
 K: Straddle Mount

F: With Flange
 A: Tray Package
 P: Plastic Pad
 Gen4
 Blank: K: 1.57mm
 1: K: 2.08mm

PCB Thickness K	M		
	Blank	2.08	2.55
	1	1.57	1.70

DIMENSIONS					
POSITION	A	B	C	D	E
36	6	7.65	12.3	25	34.8
64	20	21.65	26.3	39	48.8
98	37	38.65	43.3	56	65.8
164	70	71.65	76.3	89	98.8

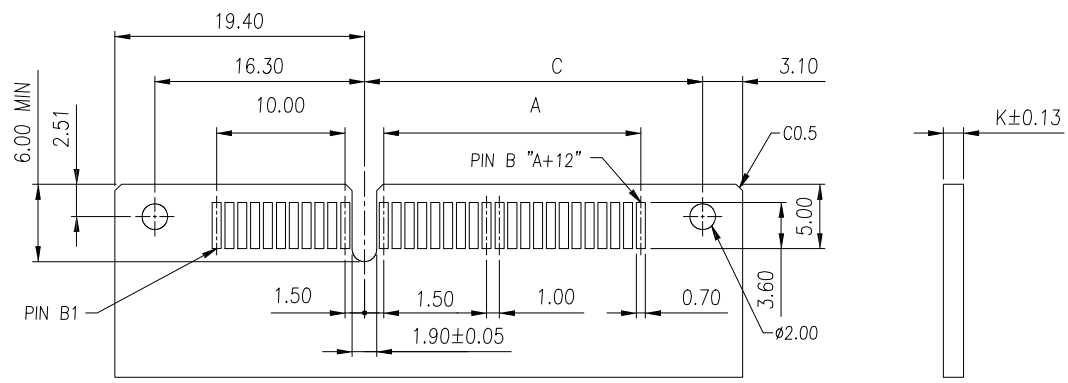
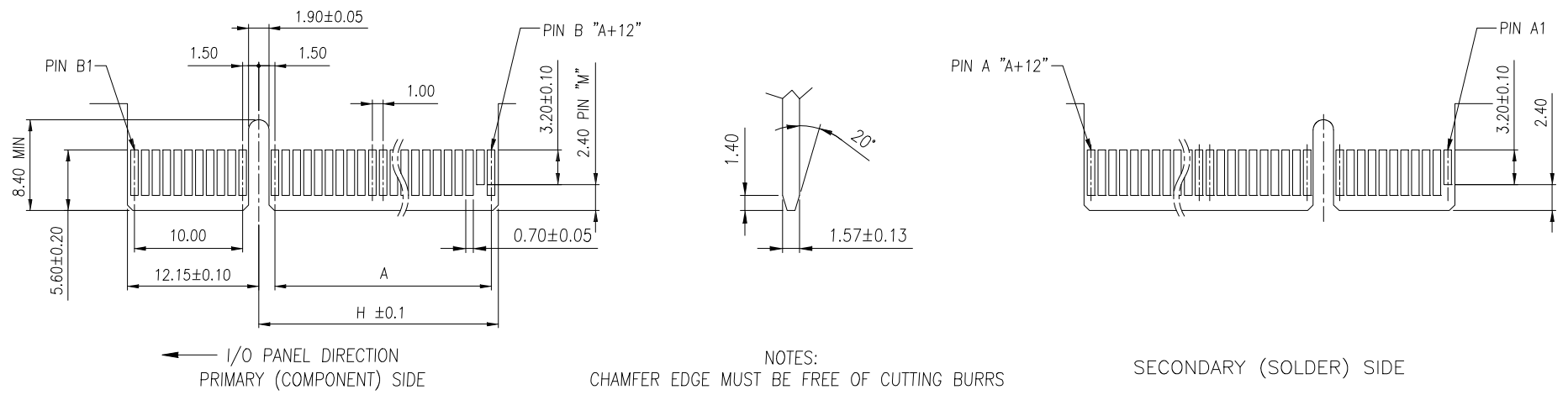


Tolerances	Dwg. No.	S2620230713-03		
x. = ±0.40	Projection			
.x = ±0.30	Unit	mm	Scale	1:N
.xx = ±0.20	Drawn By	Martin 07/13'23		
.xxx = ±0.10				

Title: 8406-C Series
 PCI Express 4.0
 Straddle Mount Type with Flange
 Gen4

OUPIIN
 OUPIIN ELECTRONIC(KUNSHAN) CO., LTD.
 P/N: 8406-CxxC00KFxA-P-G4
 SHEET 1/3 Ver.No. X1

REV.	SPECIFICATION	ECN NO.	APPD.

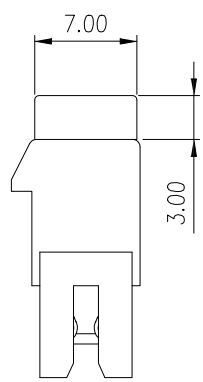
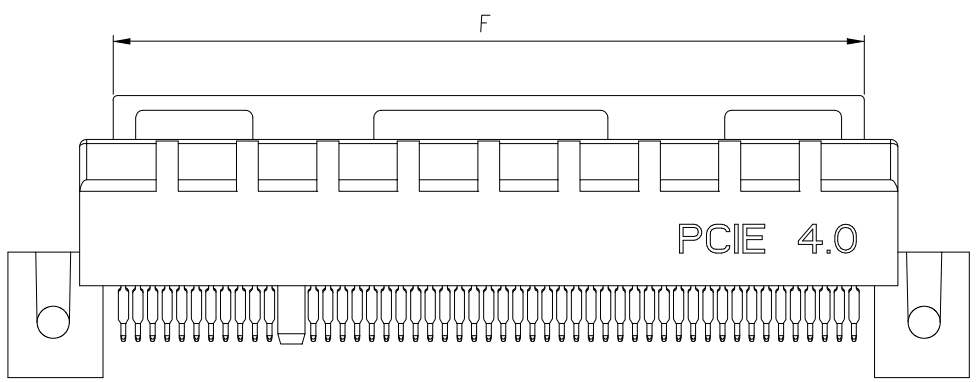
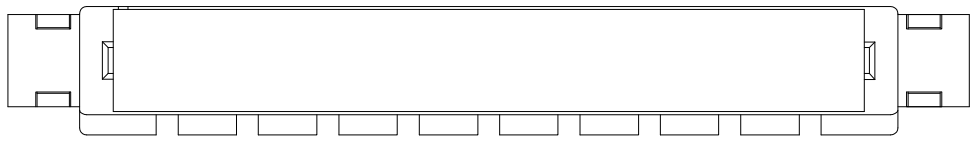


RECOMMENDED PCB LAYOUT
TOLERANCE: ±0.05

POS.	A	C	H	"M"
36	6	12.3	8.15	B17
64	20	26.3	22.15	B31
98	37	43.3	39.15	B48
164	70	76.3	72.15	B81

Tolerances x. = ±0.40 .x = ±0.30 .xx = ±0.20 .xxx = ±0.10	Dwg. No.	S2620230713-03		Title: 8406-C Series PCI Express 4.0 Straddle Mount Type with Flange Gen4	 OUPIIN ELECTRONIC(KUNSHAN) CO., LTD. P/N: 8406-CxxC00KFxA-P-G4	
	Projection					
	Unit	mm	Scale			1:N
	Drawn By	Martin 07/13'23				① 716
SHEET		2/3	Ver.No.	X1		

REV.	SPECIFICATION	ECN NO.	APPD.



DIMENSIONS	
POSITION	F
36	20.4
64	34.4
98	51.4
164	84.4

Tolerances .x = ±0.40 .x = ±0.30 .xx = ±0.20 .xxx = ±0.10	Dwg. No.	S2620230713-03		
	Projection			
	Unit	<i>mm</i>	Scale	1:N
	Drawn By	Martin 07/13'23		① 716

Title: 8406-C Series
 PCI Express 4.0
 Straddle Mount Type with Flange
 Gen4

OUPIIN ELECTRONIC(KUNSHAN) CO., LTD.			
P/N: 8406-CxxC00KFxA-P-G4			
SHEET	3/3	Ver.No.	X1