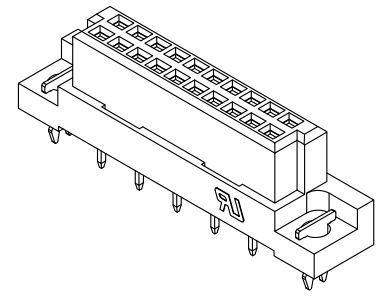
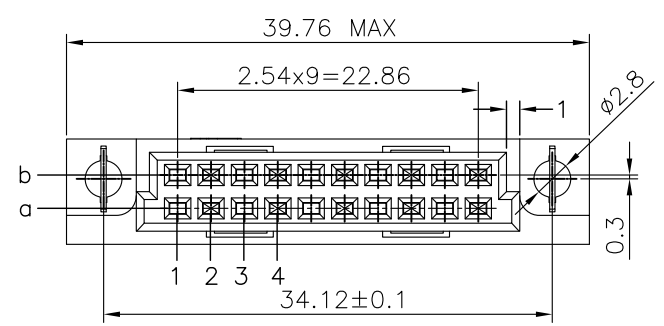


REV.	SPECIFICATION	ECN NO.	APPD.
R2		ECN231130	



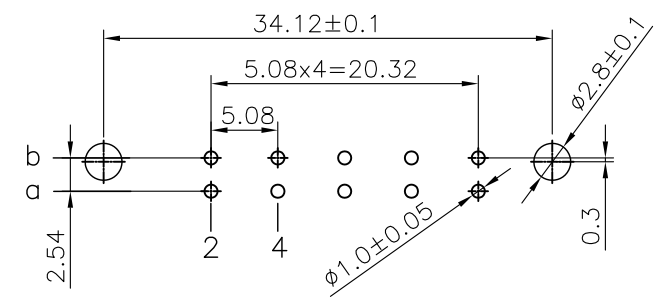
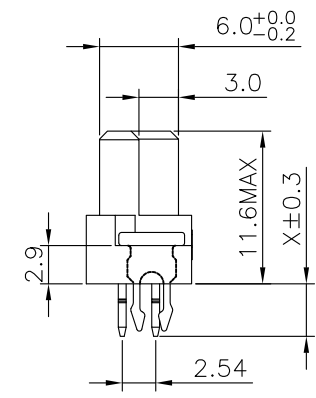
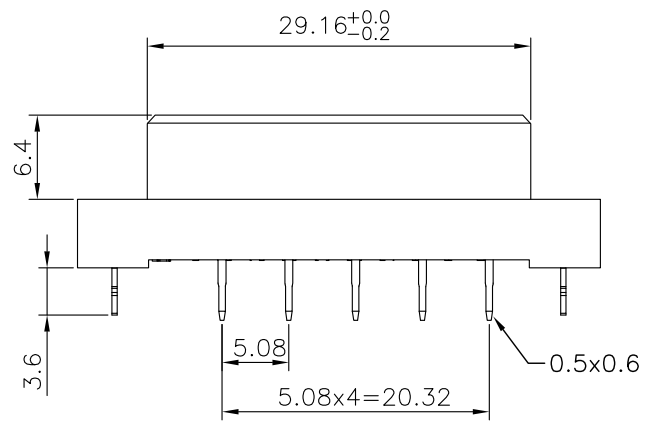
Material and Plating:

Housing: PBT,UL94V-0,Beige.
 Contacts: Copper Alloy.
 Lock: Phosphor Bronze.
 Gold Plated on contact Area and 80u"Min Tin or Gold Flash plated on solder tail over 50u"Min Nickel.

Electrical Characteristics:

Current Rating: 2 AMP.
 Dielectric Withstanding Voltage: AC 1000V For 1 minute.
 Insulator Resistance: 1000MΩ min. at DC 500V.
 Contact Resistance: 20mΩ max. at DC 100mA.
 Operating Temperature: -55°C ~+125°C .

***RoHS Compliant**



P.C. Board Layout
(Tolerance:±0.05)

9001- 4 6 xx 1 C xx L1 A

Series: 4: 5.08mm, 6: Female
 Position: 1: Dip Length, 2: Dip Length, W1: Dip Length, W2: Dip Length
 C: Dip Tin
 G: Gold
 A: Tray Package
 Blank: W/O Lock
 L1: With Lock
 00: G/F
 10: 10 u"
 15: 15 u"
 30: 30 u"

Length	1	2	W1	W2
X	4.0	2.5	13	17

Pitch	Position	Rows with Contacts	Contact Arrange
5.08mm	10	a b	
	05	a -	

Tolerances	Dwg. No.	9001D46001	
x = ±0.5	Projection		
.x = ±0.25	Unit	mm	Scale 1:1
.xx = ±0.15	Drawn By	WP 11/18'23	

Title: 9001 Series
 DIN41612
 Half B Type Female

OUPIN
 OUPIIN ELECTRONIC(KUNSHAN) CO., LTD.
 P/N: 9001-46xx1CxxL1A
 SHEET 1/1 Ver.No. R2