

| | | | |
|------|---------------|-----------|-------|
| REV. | SPECIFICATION | ECN NO. | APPD. |
| R2 | | ECN220349 | |

Material and Plating:

Housing: PBT, UL94V-0, Beige.

Contacts: Copper Alloy.

Gold Plated on Contact Area and 80u" Min Tin Plated on Solder Tail over Nickel 50u" Min.

Electrical Characteristics:

Current Rating: 2 AMP.

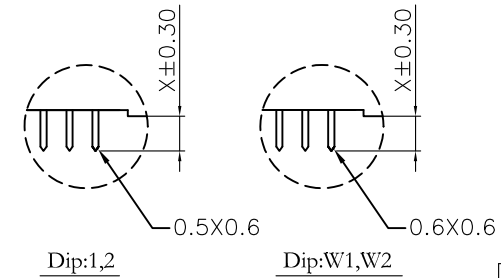
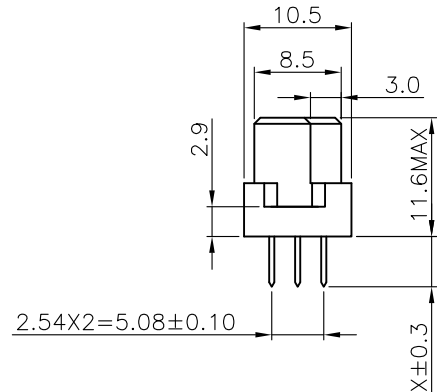
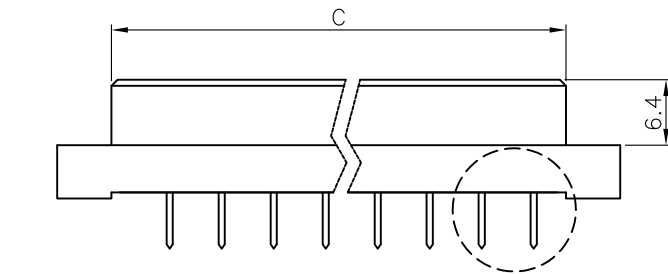
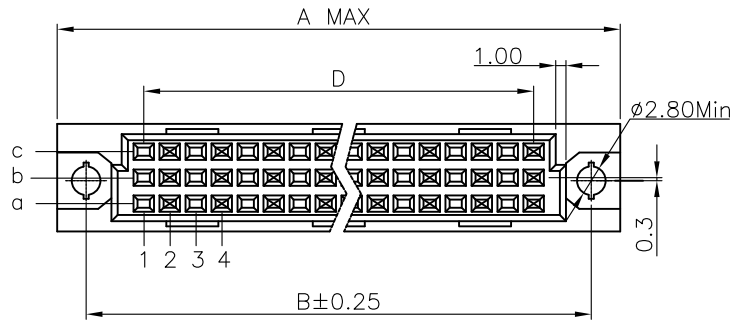
Dielectric Withstanding Voltage: AC 1000V For 1 minute.

Insulator Resistance: 10⁶MΩ min. at DC 500V.

Contact Resistance: 20mΩ max. at DC 100mA.

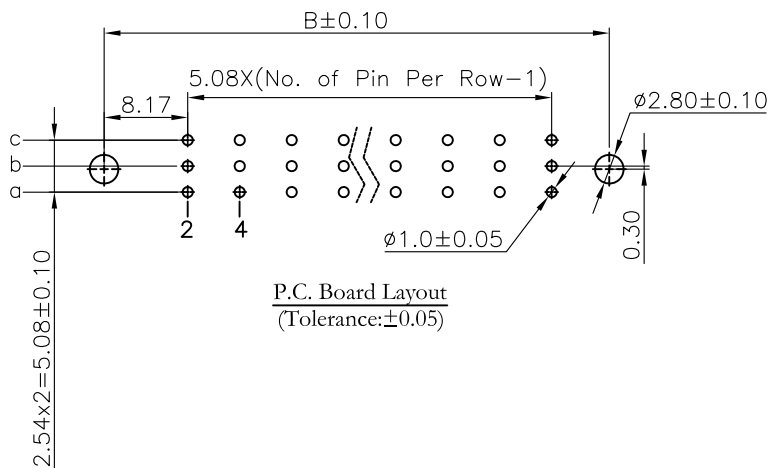
Operating Temperature: -55°C ~+125°C.

***RoHS Compliant**



Dip:1,2

Dip:W1,W2



Series 9001- 2 6 xx x C xx A
 2: 5.08mm
 6: Female
 Position 1: Dip Length 2: Dip Length W1: Dip Length W2: Dip Length
 A: Tray Package
 00: G/F 10: 10u" 15: 15u" 30: 30u"
 C: Dip Tin Contact Gold

| | | | | |
|--------|-----|-----|----|----|
| length | 1 | 2 | W1 | W2 |
| X | 4.0 | 2.5 | 13 | 17 |

| Dimension | | | | |
|-----------|------|-------|------|-------|
| Position | A | B | C | D |
| 24/16/8 | 55.0 | 49.36 | 44.4 | 38.10 |
| 15/10/5 | 39.8 | 34.12 | 29.2 | 22.86 |

| Pitch | Position | Rows with Contacts | Contact Arrange |
|--------|----------|--------------------|-----------------|
| 5.08mm | 24 | a b c | |
| | 16 | a - c | |
| | 15 | a b c | |
| | 10 | a - c | |
| | 8 | a - - | |
| | 5 | a - - - | |

| | | |
|-------------|------------|------------|
| Tolerances | Dwg. No. | 9001D26001 |
| x = ±0.5 | Projection | |
| .x = ±0.25 | Unit | mm |
| .xx = ±0.15 | Scale | 1:1 |
| | Drawn By | ZY 3/23'22 |

Title: 9001 Series
 DIN41612 Half
 C Type Female

| | | | |
|-------------------------------------|-----|---------|----|
| OUPIN | | | |
| OUPIN ELECTRONIC(KUNSHAN) CO., LTD. | | | |
| P/N: 9001-26xxxCxXA | | | |
| SHEET | 1/1 | Ver.No. | R2 |