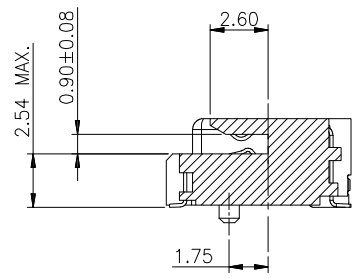
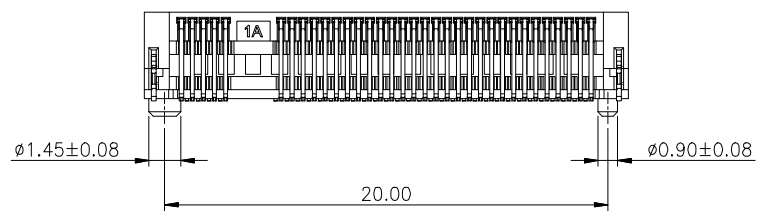
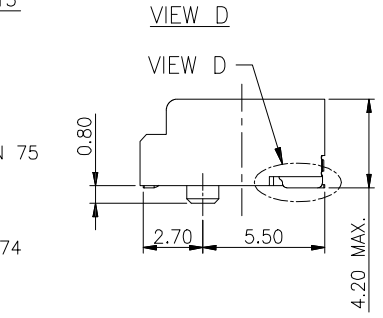
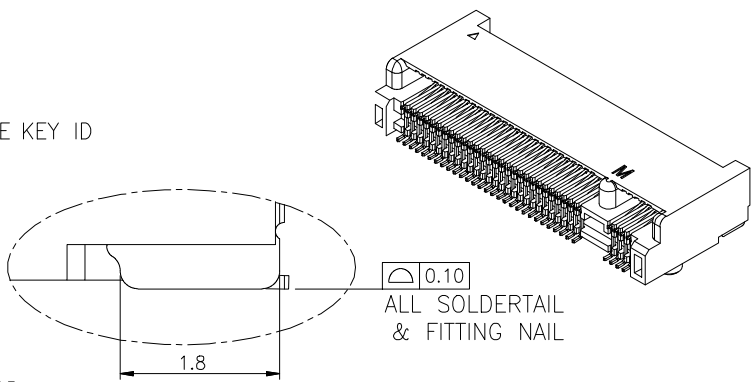
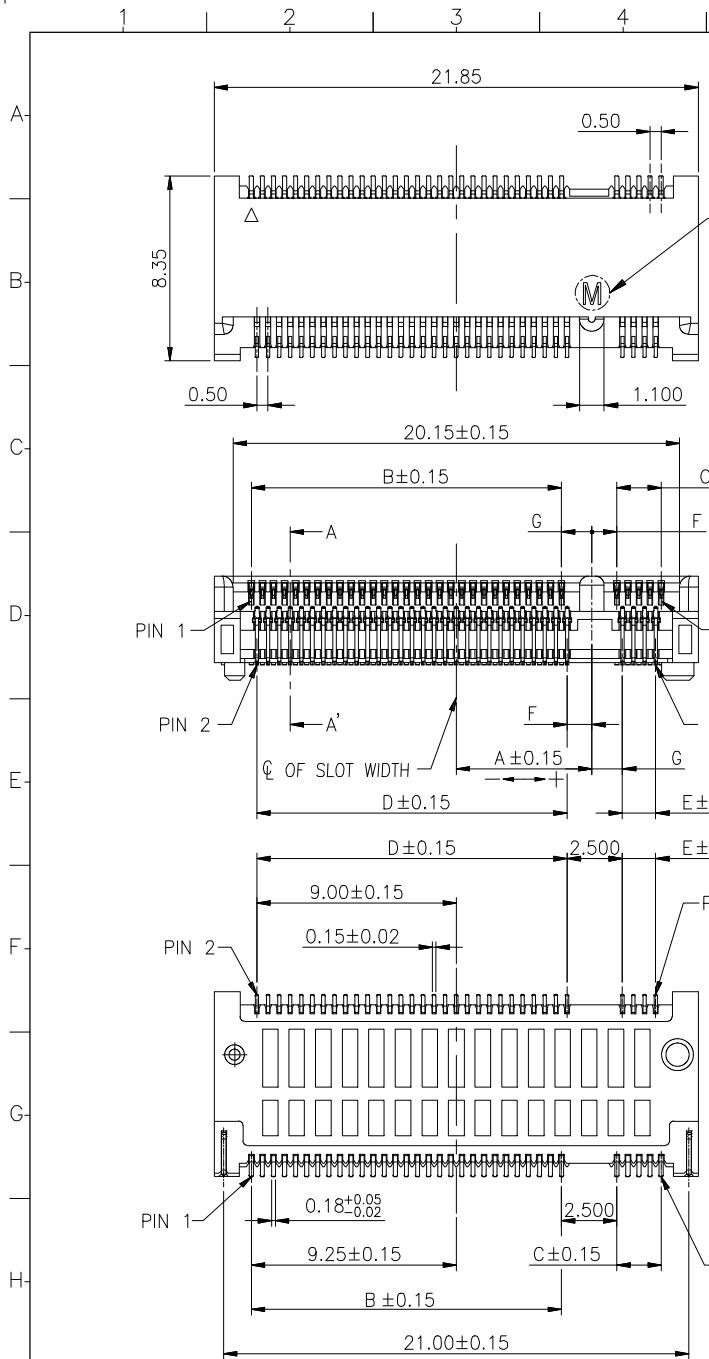


REV.	SPECIFICATION	ECN NO.	APPD.



Series 8402-C 67 G 00 x 5 T -G4  
 Positions 67  
 G: Gold Plated  
 00: Gold Flash  
 15: 15u"  
 30: 30u"  
 Gen4  
 T: Tape & Reel Package  
 5: Height 4.2mm  
 B: Key B  
 E: Key E  
 M: Key M

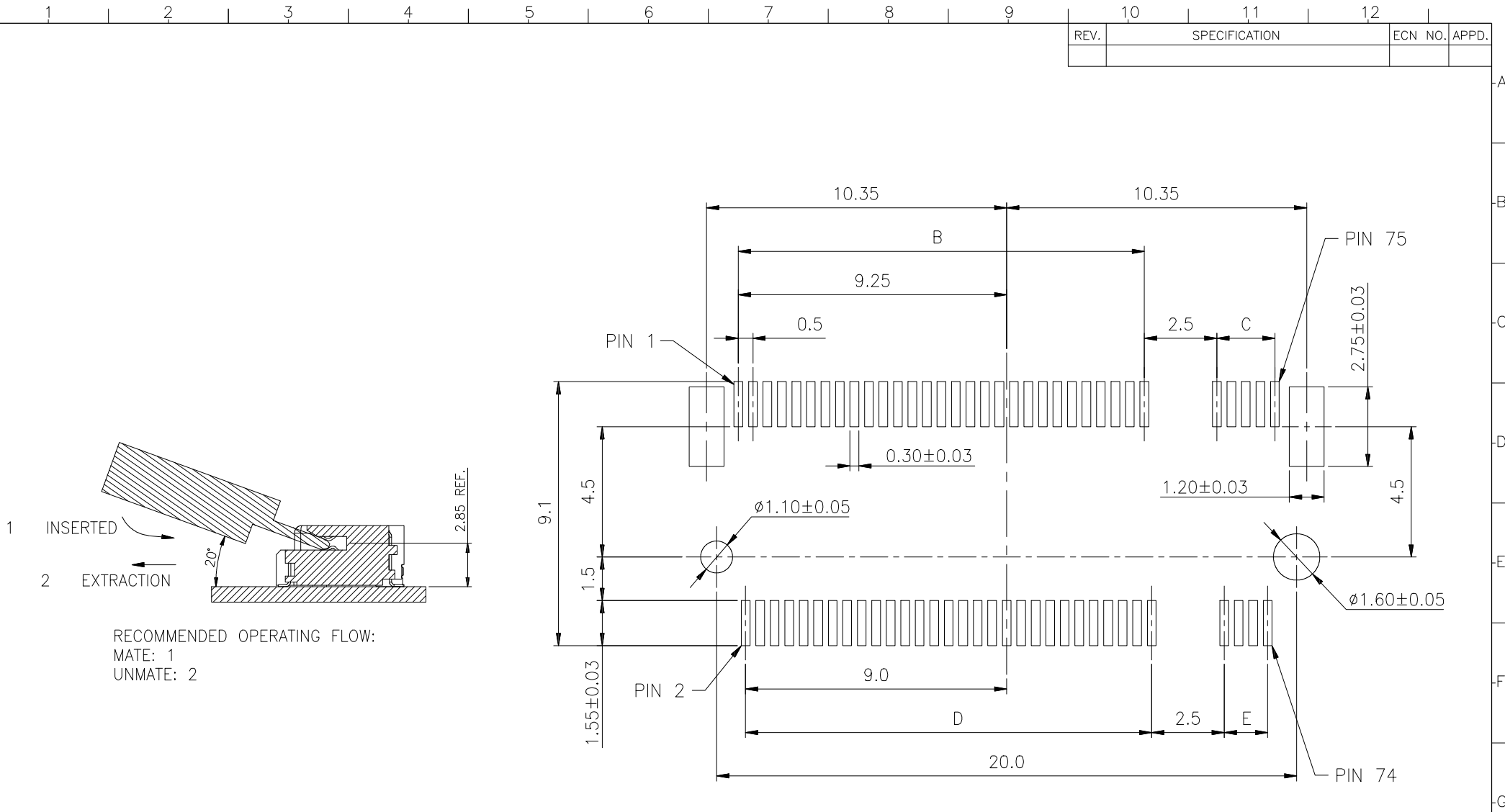
Key	Dimension						
	A	B	C	D	E	F	G
B	-5.625	2.5	13.5	2.0	13.5	1.375	1.125
E	-2.625	5.5	10.5	5.0	10.5	1.375	1.125
M	6.125	14.0	2.0	14.0	1.5	1.125	1.375

Tolerances	Dwg. No.	S0420230615-01	
.x = ±0.40	Projection	⊕ ⊖	
.x = ±0.30	Unit	mm	Scale 1:N
.xx = ±0.20	Drawn By	Martin 07/25'23	
.xxx = ±0.10			

Title: 8402-C Series  
 M.2 (NGFF) Connector  
 Pitch 0.5mm, Height 4.2mm  
 Gen4  
 716

**OUPIN**  
 OUPIN ELECTRONIC(KUNSHAN) CO., LTD.  
 P/N: 8402-C67G00x5T-G4  
 SHEET 1/3 Ver.No. X2

REV.	SPECIFICATION	ECN NO.	APPD.

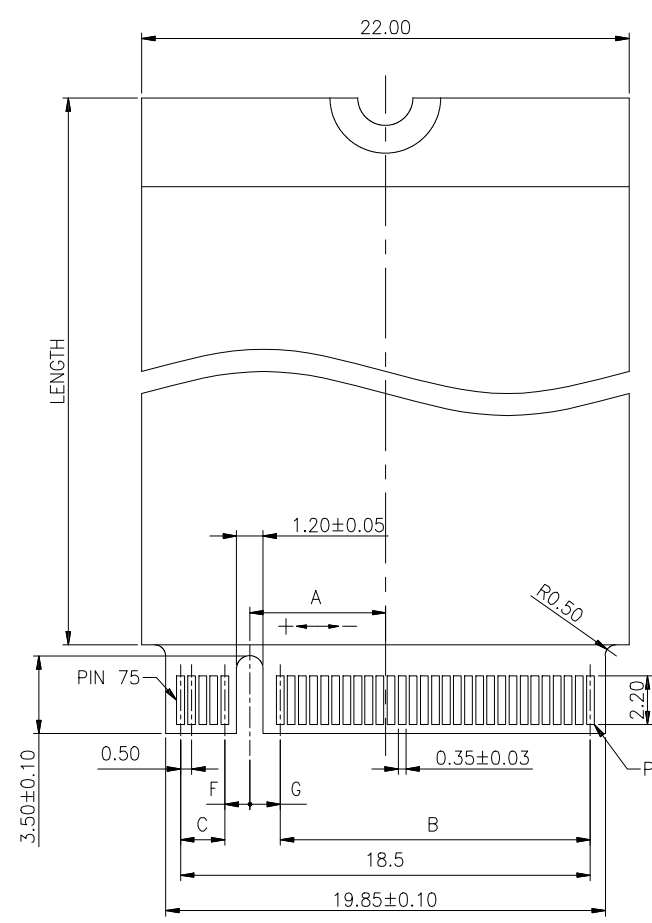


1 INSERTED  
 2 EXTRACTION  
 20°  
 2.85 REF.  
 RECOMMENDED OPERATING FLOW:  
 MATE: 1  
 UNMATE: 2

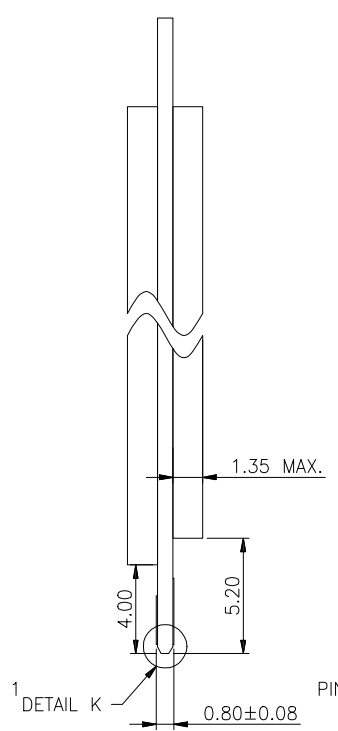
RECOMMENDED PCB LAYOUT

<b>Tolerances</b> x. = ±0.40 .x = ±0.30 .xx = ±0.20 .xxx = ±0.10	<b>Dwg. No.</b>	S0420230615-01		<b>Title:</b> 8402-C Series M.2 (NGFF) Connector Pitch 0.5mm, Height 4.2mm Gen4			
	<b>Projection</b>					<b>OUPIIN ELECTRONIC(KUNSHAN) CO., LTD.</b> P/N: 8402-C67G00x5T-G4	
	<b>Unit</b>	mm	<b>Scale</b>				1:N
	<b>Drawn By</b>	Martin 07/25'23					① 716
					<b>SHEET</b> 2/3 <b>Ver.No.</b> X2		

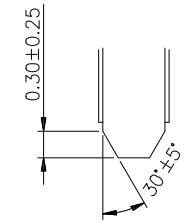
REV.	SPECIFICATION	ECN NO.	APPD.



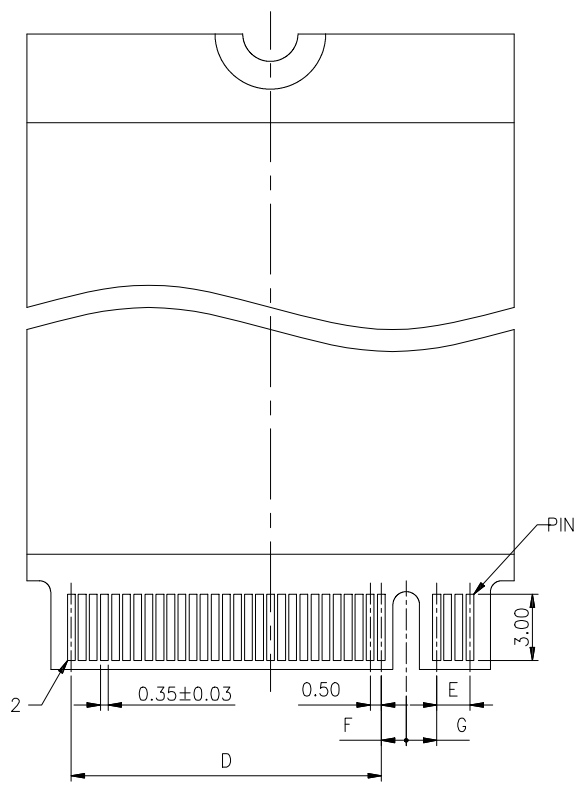
TOP SIDE



DETAIL K



DETAIL K



BOTTOM SIDE

<b>Tolerances</b> .x = ±0.40 .x = ±0.30 .xx = ±0.20 .xxx = ±0.10	<b>Dwg. No.</b>	S0420230615-01		<b>Title:</b> 8402-C Series M.2 (NGFF) Connector Pitch 0.5mm, Height 4.2mm Gen4	 <b>OUPIIN ELECTRONIC(KUNSHAN) CO., LTD.</b>				
	<b>Projection</b>								<b>P/N:</b> 8402-C67G00x5T-G4
	<b>Unit</b>	mm	<b>Scale</b>		1:N	<b>SHEET</b>	3/3	<b>Ver.No.</b>	
	<b>Drawn By</b>	Martin 07/25'23			① 716				