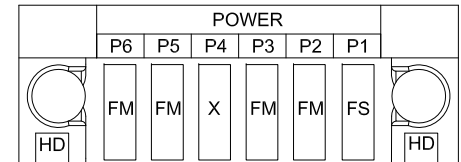
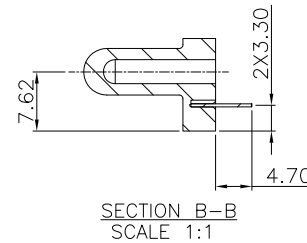
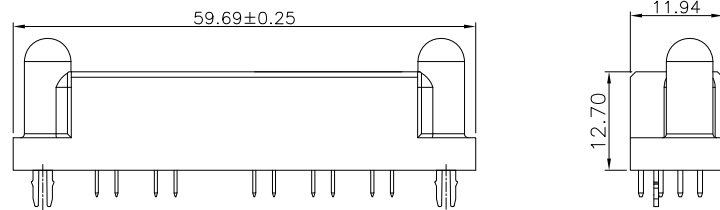
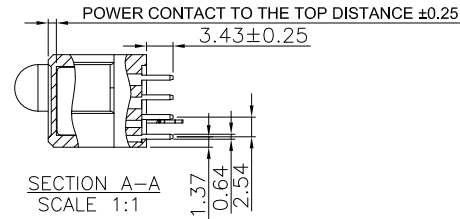
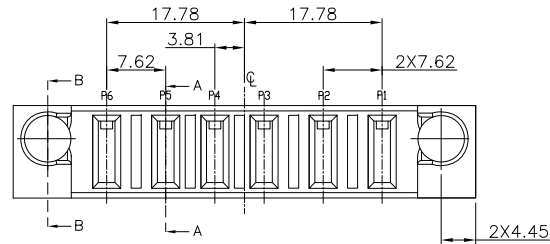
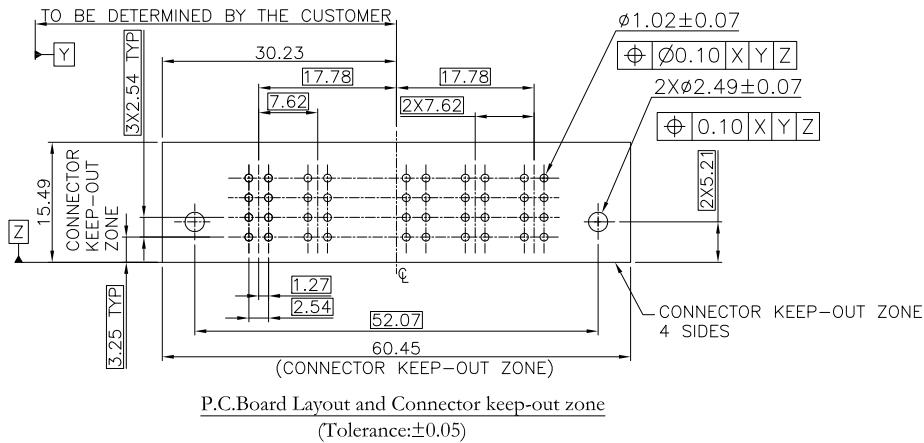


REV.	SPECIFICATION	ECN NO.	APPD.
X7		ECN190738	



POWER CONTACT TO THE TOP DISTANCE 2.34mm, THE MATING LENGTH 3.87mm	FM
POWER CONTACT TO THE TOP DISTANCE 1.07mm, THE MATING LENGTH 5.14mm	FS



**Material and Plating:**

**Housing:** LCP, UL94V-0, Black.

**Power Contacts:** High Conductivity Copper.

30u" Au+Pd/Ni on Contact Area and 80u" Min Tin Plated on Solder Tail over 50u" Min Nickel.

**Lock:** Phosphor Bronze.

**Electrical Characteristics:**

**Current Rating:** Power Pin 30 AMP.

**Dielectric Withstanding Voltage:** Power Pin 2500V For 1 minute.

**Insulator Resistance:** Power Pin 10000MΩ min. at DC 500V.

**Contact Resistance:** Power Pin 0.7mΩ max. at DC 20mA.

**Operating Temperature:** -40°C ~+105°C.

**\*RoHS Compliant**

**Notes 1:**

H: High density Power---PCB Mount 5.08mm Pitch

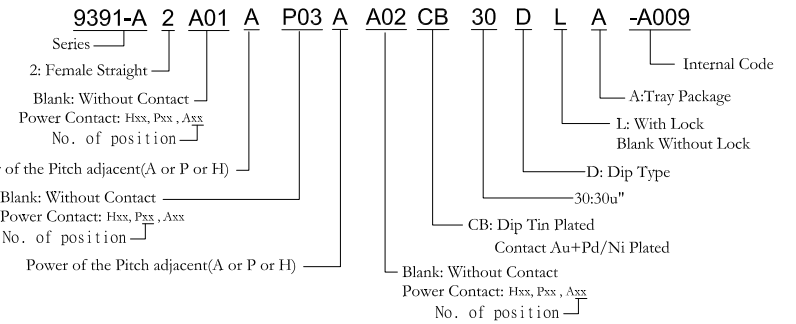
P: DC Power---PCB Mount 6.35mm Pitch

A: AC Power---PCB Mount 7.62mm Pitch

**Notes 2:**

P1: Power Contact to The Top Distance is 1.07mm.

P2-P3,P5-P6: Power Contact to The Top Distance is 2.34mm.



Tolerances	Dwg. No.	9391-D0000-161		Title:	
x = ±0.5	Projection			9391 Series Female Straight Dip Type	
.x = ±0.25	Unit	mm	Scale		1:1
.xx = ±0.15	Drawn By	WP 11/07'19			

<b>OUPIN</b>			
OUPIN ELECTRONIC(KUNSHAN) CO., LTD.			
P/N: 9391-A2A01AP03AA02CB30DLA-A009			
SHEET	1/1	Ver. No.	X7