

REV.	SPECIFICATION	ECN NO.	APPD.
R5		ECN221006	

**Material and Plating:**

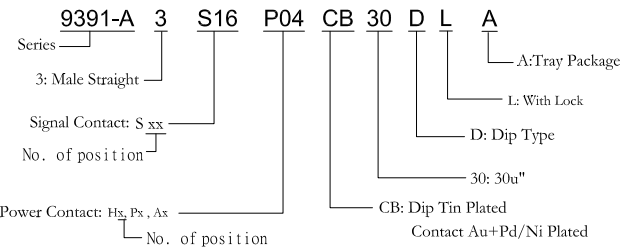
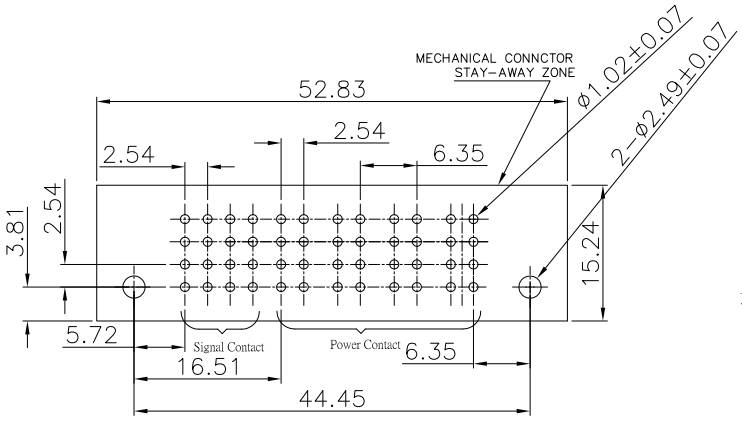
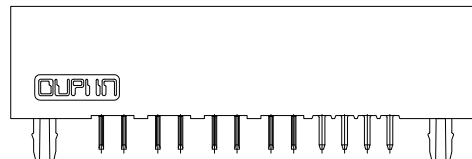
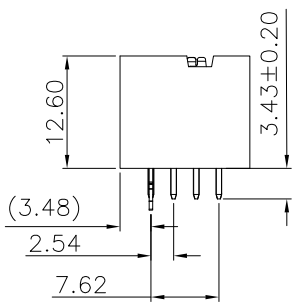
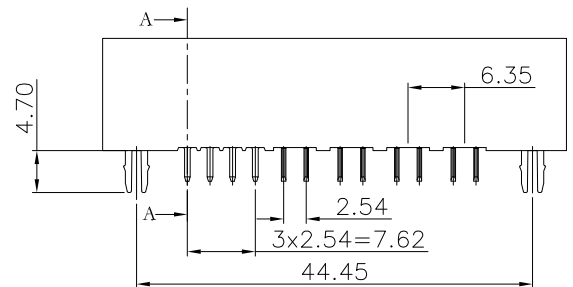
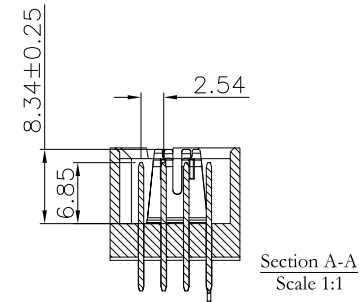
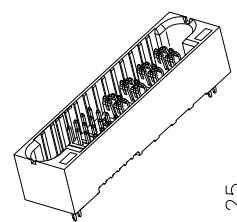
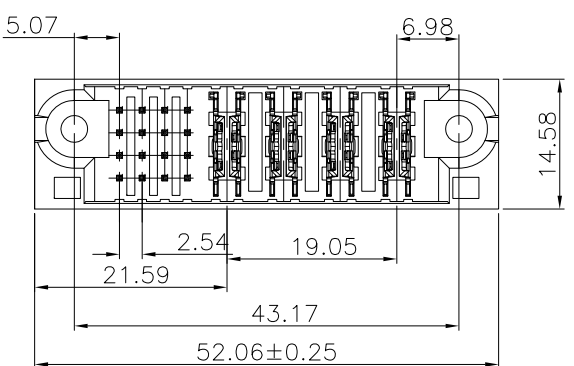
**Housing:** LCP, UL94V-0 , Black.  
**Power Contacts:** High Conductivity Copper.  
 30u" Au+Pd/Ni on Contact Area and 80u" Min Tin Plated on Solder Tail over Nickel 50u" Min .  
**Signal Contacts :** Brass.  
 30u" Au+Pd/Ni on Contact Area and 80u" Min Tin Plated on Solder Tail over Nickel 50u" Min .  
**Lock:** Phosphor Bronze.

**Electrical Characteristics:**

**Current Rating:** Signal Pin 2.5 AMP.  
 Power Pin 30 AMP.  
**Dielectric Withstanding Voltage:**  
 Signal Pin DC 1000V For 1 minute.  
 Power Pin DC 2500V For 1 minute.  
**Insulator Resistance:** Signal Pin 5000MΩ min. at DC 500V.  
 Power Pin 20000MΩ min. at DC 500V.  
**Contact Resistance:** Signal Pin 15mΩ max. at DC 20mA.  
 Power Pin 0.7mΩ max. at DC 20mA.  
**Operating Temperature:** -40°C ~+105°C.

**\*RoHS Compliant**

**Notes :**  
 H: High density Power---PCB Mount 5.08mm Pitch  
 P: DC Power---PCB Mount 6.35mm Pitch  
 A: AC Power---PCB Mount 7.62mm Pitch  
 S: Signal---PCB Mount 2.54mm Pitch



ROWS	SIGNAL				POWER			
	1	2	3	4	P1	P2	P3	P4
D	G	G	G	G	MS	MS	MS	MS
C	G	G	G	G				
B	G	G	G	G				
A	G	G	G	G				

SIGNAL PIN CONTACT LENGTH 4.32mm	H
SIGNAL PIN CONTACT LENGTH 5.59mm	E
SIGNAL PIN CONTACT LENGTH 7.05mm	F
SIGNAL PIN CONTACT LENGTH 6.86mm	G
HOT PLUG POWER CONTACT.STD	MS

Tolerances	Dwg. No.	9391-D0000-040		Title:	9391 Series Male Straight Dip Type		
x = ±0.5	Projection	⊕ ⊖		Unit	mm	Scale	1:1
.x = ±0.25	Unit						
.xx = ±0.15	Drawn By	XS 10/25'22					

**OUPIIN**  
 OUPIIN ELECTRONIC(KUNSHAN) CO., LTD.  
 P/N: 9391-A3S16P04CB30DLA  
 SHEET 1/1 Ver. No. R5