

REV.	SPECIFICATION	ECN NO.	APPD.
R4		ECN221006	

**Material and Plating:**

**Housing:** LCP, UL94V-0, Black.  
**Power Contacts:** High Conductivity Copper.  
 30u"Au+Pd/Ni on Contact Area and 80u" Min Tin Plated on Solder Tail over Nickel 50u" Min.  
**Signal Contacts:** Brass.  
 30u"Au+Pd/Ni on Contact Area and 80u" Min Tin Plated on Solder Tail over Nickel 50u" Min.  
**Lock:** Phosphor Bronze.

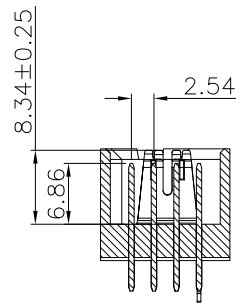
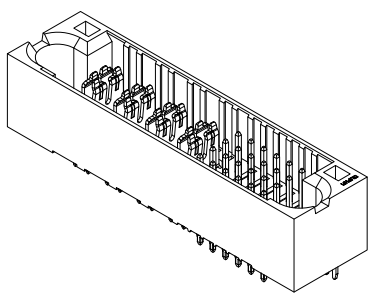
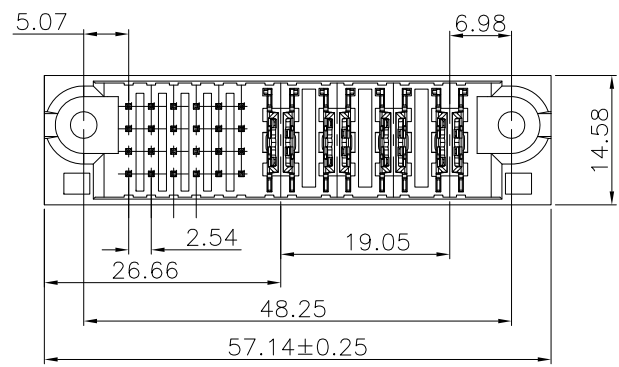
**Electrical Characteristics:**

**Current Rating:** Signal Pin 2.5 AMP.  
 Power Pin 30 AMP.  
**Dielectric Withstanding Voltage:**  
 Signal Pin DC 1000V For 1 minute.  
 Power Pin DC 2500V For 1 minute.  
**Insulator Resistance:** Signal Pin 5000MΩ min. at DC 500V.  
 Power Pin 20000MΩ min. at DC 500V.  
**Contact Resistance:** Signal Pin 15mΩ max. at DC 20mA.  
 Power Pin 0.7mΩ max. at DC 20mA.  
**Operating Temperature:** -40°C ~ +105°C.

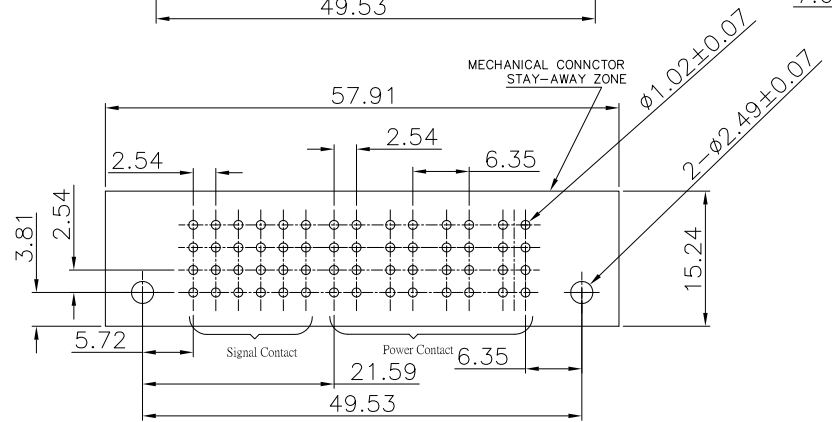
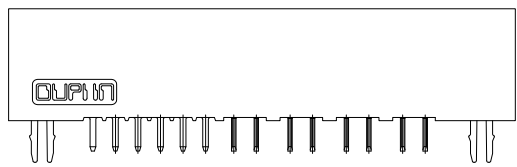
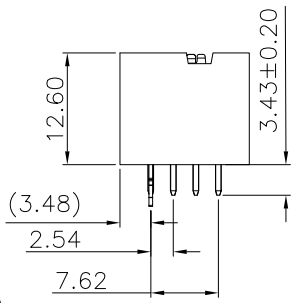
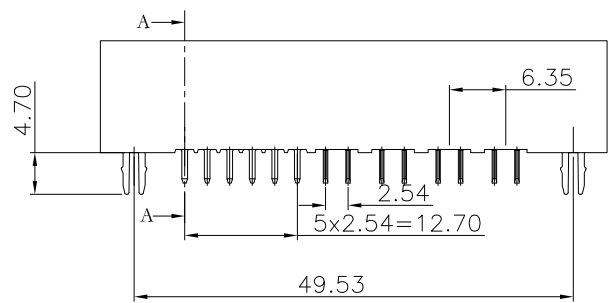
**\*RoHS Compliant**

**Notes:**

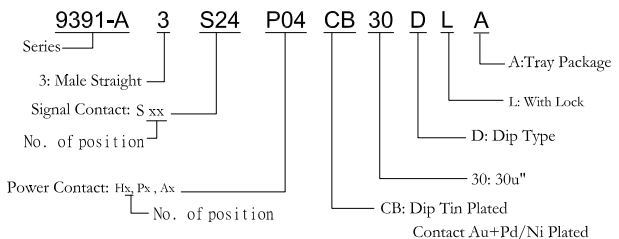
- H: High density Power—PCB Mount 5.08mm Pitch
- P: DC Power—PCB Mount 6.35mm Pitch
- A: AC Power—PCB Mount 7.62mm Pitch
- S: Signal—PCB Mount 2.54mm Pitch



Section A-A  
Scale 1:1



P.C. Board Layout  
(Tolerance:±0.05)



ROWS		SIGNAL				POWER						
		1	2	3	4	5	6	P1	P2		P3	P4
D		G	G	G	G	G	G	MS	MS	MS	MS	
C		G	G	G	G	G	G	MS	MS	MS	MS	
B		G	G	G	G	G	G	MS	MS	MS	MS	
A		G	G	G	G	G	G	MS	MS	MS	MS	

SIGNAL PIN CONTACT LENGTH 4.32mm	H
SIGNAL PIN CONTACT LENGTH 5.59mm	E
SIGNAL PIN CONTACT LENGTH 7.05mm	F
SIGNAL PIN CONTACT LENGTH 6.86mm	G
HOT PLUG POWER CONTACT.STD	MS

Tolerances	Dwg. No.	9391-D0000-133		Title:	9391 Series Male Straight Dip Type		
x = ±0.5	Projection						
.x = ±0.25	Unit	mm	Scale				1:1
.xx = ±0.15	Drawn By	XS	10/10/22				

**OUPIN**  
 OUPIN ELECTRONIC(KUNSHAN) CO., LTD.  
 P/N: 9391-A3S24P04CB30DLA  
 SHEET 1/1 Ver. No. R4