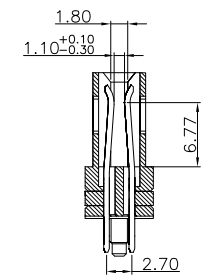
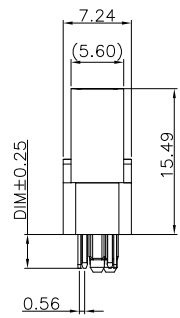
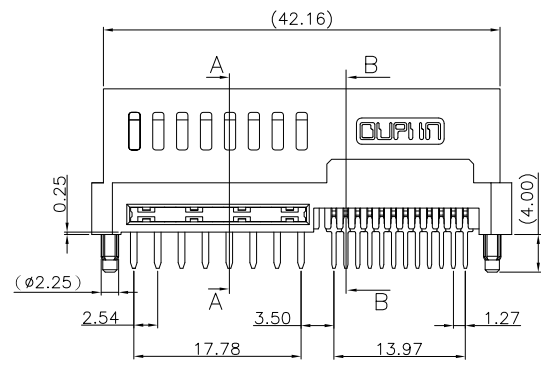
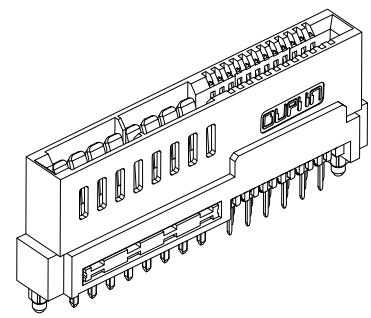
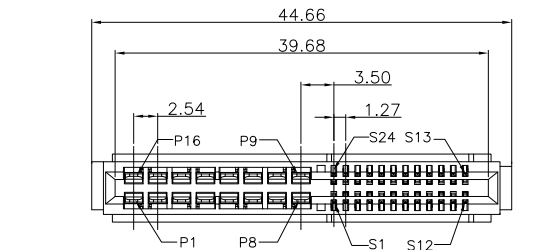
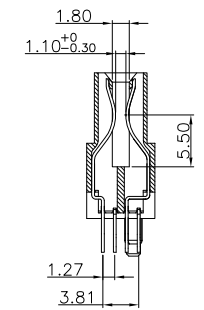


REV.	SPECIFICATION	ECN NO.	APPD.
R6		ECN2.30928	



SECTION A-A



SECTION B-B

Material and Plating:

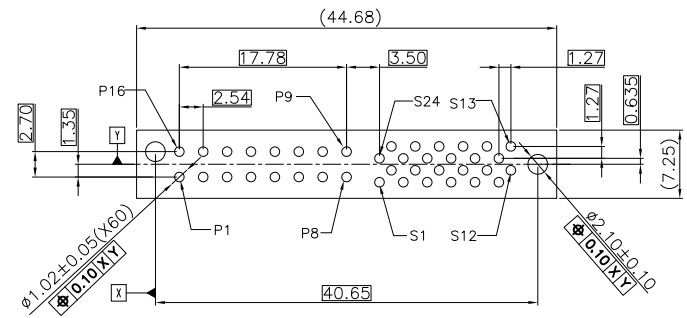
Housing: LCP, UL94V-0 , BLACK.
 Power Contacts: High Conductivity Copper .
 Au+Pd/Ni or Gold Plated on Contact Area and 80u" Min Tin Plated on Solder Tail over Nickel 50u" Min.
 Signal Contacts : Phosphor Bronze .
 Au+Pd/Ni or Gold Plated on Contact Area and 80u" Min Tin Plated on Solder Tail over Nickel 50u" Min.

Electrical Characteristics:

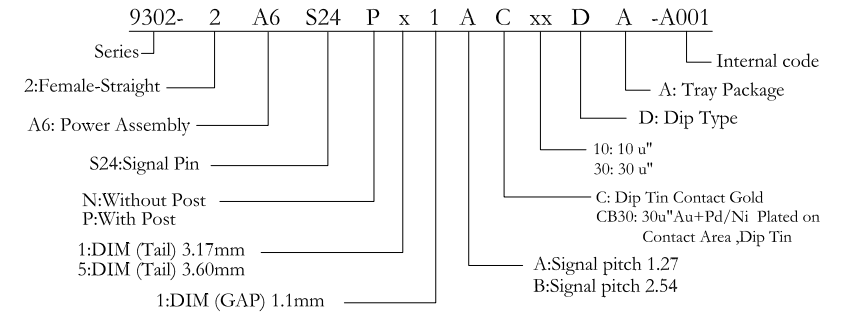
Current Rating: Signal Pin 1.5 AMP.
 Power Pin 12.5AMP(UL).
 Dielectric Withstanding Voltage:
 Signal Pin DC 500V For 1 minute.
 Power Pin DC 1000V For 1 minute.
 Insulator Resistance: Signal Pin 500MΩ min. at DC 500V.
 Power Pin 5000MΩ min. at DC 500V.
 Contact Resistance: Signal Pin 25mΩ max.
 Power Pin 0.6mΩ max.
 Operating Temperature: -55°C ~+105°C .

***RoHS Compliant**

Note: Position of Post

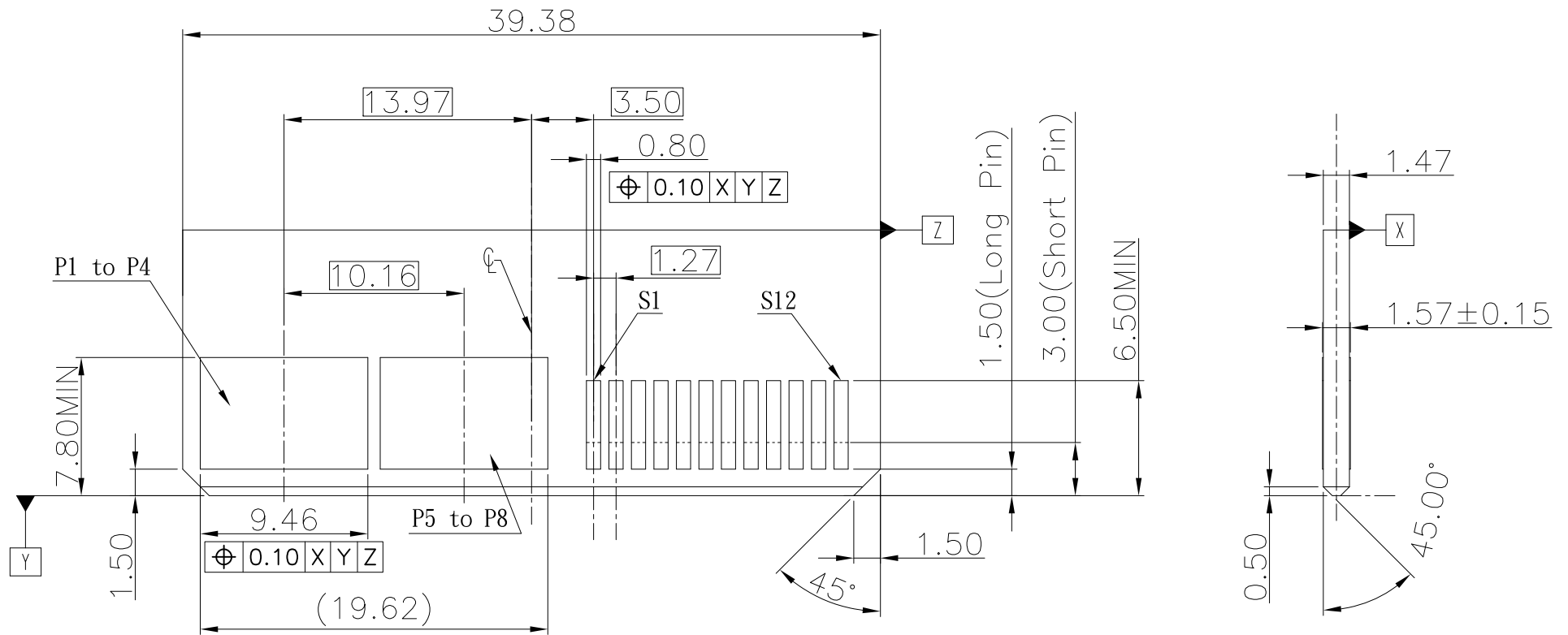


P.C.Board Layout
(Tolerance:±0.05)





Tolerances	Dwg. No.	9302-D0000-013	Title:	 OUPIIN ELECTRONIC(KUNSHAN) CO., LTD. P/N: 9302-2A6S24Px1ACxxDA-A001 SHEET 1/2 Ver.No. R6
X=±0.50	Projection		9302 Series	
.X=±0.25	Unit	mm	High Power and Signal Edge Card Connector	
.XX=±0.15	Scale	1:1		
	Drawn By	GYJ 09/19'23		

REV.	SPECIFICATION	ECN NO.	APPD.
R6		ECN230928	



RECOMMENDED MATTING BOARD FOOTPRINT
(Tolerance: ±0.05)

Tolerances	Dwg. No.	9302-D0000-013		Title:		 OUPIIN ELECTRONIC(KUNSHAN) CO., LTD. P/N: 9302-2A6S24Px1ACxxDA-A001			
X=±0.50	Projection			9302 Series High Power and Signal Edge Card Connector					
.X=±0.25	Unit	mm	Scale	1:1		SHEET	2/2	Ver.No.	R6
.XX=±0.15	Drawn By	GYJ 09/19'23							