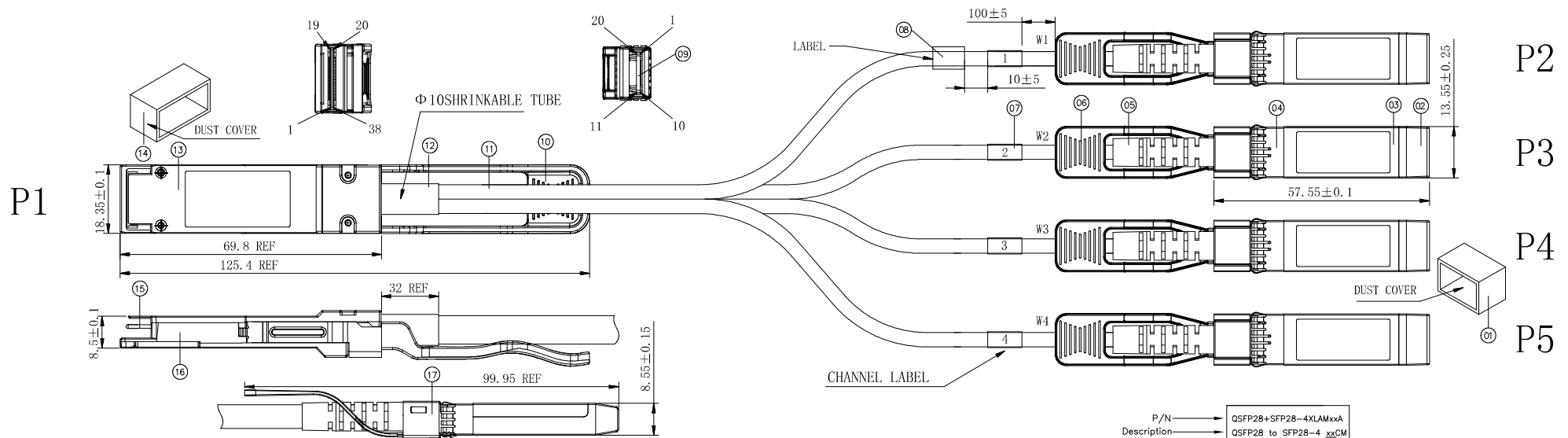


ITEM	DESCRIPTION
01	SFP28 DUST COVER,PVC
02	SFP28 HOUSING, ZINC ALLOY
03	SFP28 HOUSING TOP, ZINC ALLOY
04	EMI KITS, SUS304
05	SFP28 SR, TPU
06	SFP28 PULL TAB, PA66
07	CHANNEL LABEL
08	LABEL
09	SFP28 PCBA
10	QSFP28 PULL TAB, TPU+SUS304
11	2 PAIR TWINAX CABLE, DIFF 100Ω
12	SHRINKABLE TUBE
13	QSFP28 HOUSING,TOP, ZINC ALLOY
14	QSFP28 DUST COVER, PVC, Black
15	QSFP28 PCBA
16	QSFP28 HOUSING ZINC ALLOY
17	SFP28 LOCKER, SUS304

*RoHS Compliant



QSFP28 + SFP28-4 X L CM xxA

QSFP28 ———— 30: 30 AWG
SFP28x4 ———— 26: 26 AWG
L: Cable Length



LABEL DETAIL

Length(L)	Wire Gauge
50±2cm	30AWG
100±3cm	30AWG
200±5cm	30AWG
300±5.5cm	30AWG
500±6.5cm	26AWG

NOTE:
1. Differential impedance:
Raw cable 100±10ohm, mated area:100⁺¹⁰/₋₁₅ ohm
2. Operating Temperature: 0°C~+70°C.
3. 100% conduct/short/open/SI test
4. Assembly shall meet SFF8436/SFF-8679/
SFF8431/8432/IEEEE 802.3bj

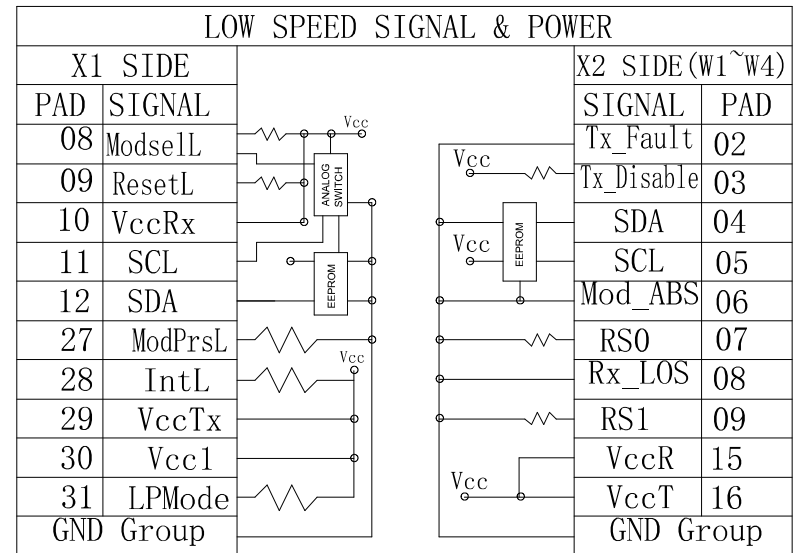
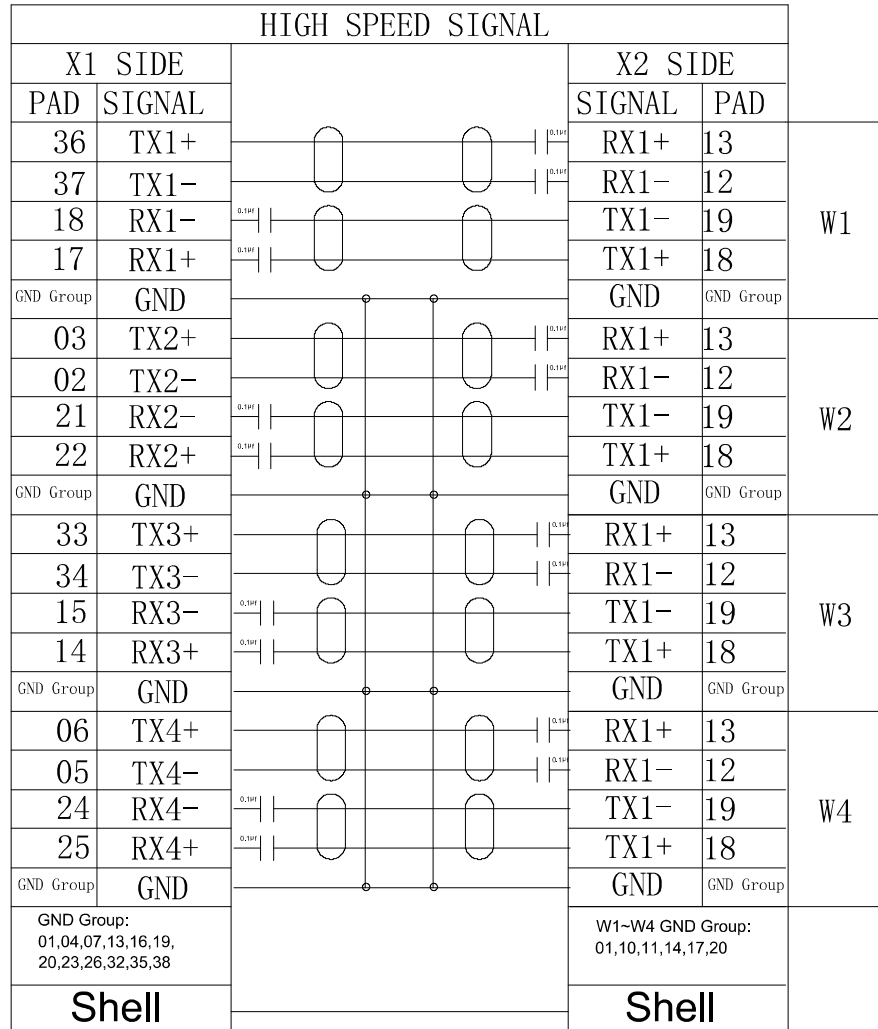
Tolerances	Dwg. No.	S2320220609-02	Part No.
x. = ±0.50	Projection		QSFP28+SFP28-4XLCMxxA
.x = ±0.20	Unit mm	Scale	Title:
.xx = ±0.10	1:1	1:N	QSFP28 to SFP28 Fan Out Cable Assembly
.xxx = ±0.05	Drawn By	Martin 06/20'22	QSFP28 100G/ SFP28 25Gx4

OUPIN

OUPIIN ENTERPRISE CO., LTD.

SHEET	1/2	Ver.No.	X1
-------	-----	---------	----

WIRING TABLE



Tolerances	Dwg. No.	S2320220609-02	Part No.		OUPIN OUPIN ENTERPRISE CO., LTD.
x. = ±0.50	Projection			QSFP28+SFP28-4XLCMxxA	
.x = ±0.20	Unit	mm	Scale	1:N	
.xx = ±0.10	Drawn By	Martin	Date	06/20'22	
.xxx = ±0.05			Title:	QSFP28 to SFP28 Fan Out Cable Assembly QSFP28 100G/ SFP28 25GX4	SHEET
			①517	Ver.No.	X1