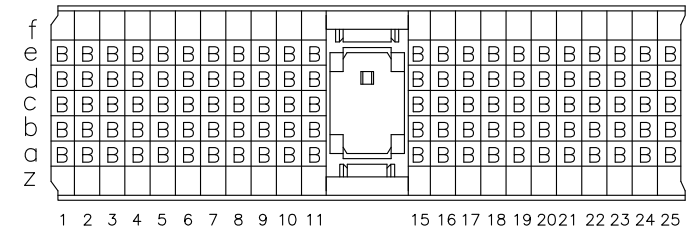
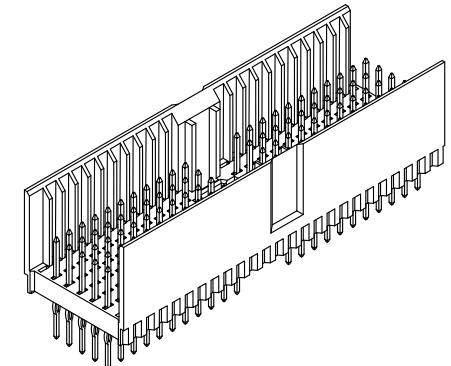


REV.	SPECIFICATION	ECN NO.	APPD.
R3		ECN121231	

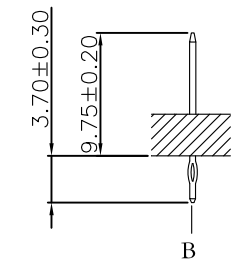
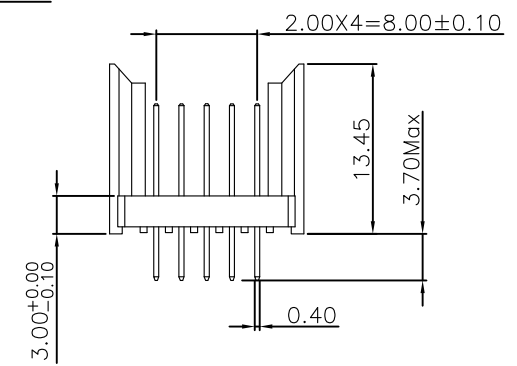
Material:
Housing: Thermoplastiv Polyester Glass Filled UL94V-0.
Contacts: Copper Alloy.

Electrical Characteristics:
Current Rating: 1 AMP.
Dielectric Withstanding Voltage: AC 750V For 1 minute.
Insulator Resistance: 10000MΩ min. at DC 500V.
Contact Resistance: 20mΩ max. at DC 100mA.
Operating Temperature: -55°C~+125°C .

***RoHS Compliant**



CONTACT LAYOUT

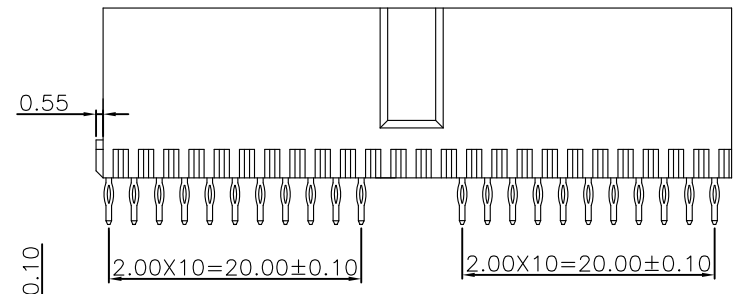
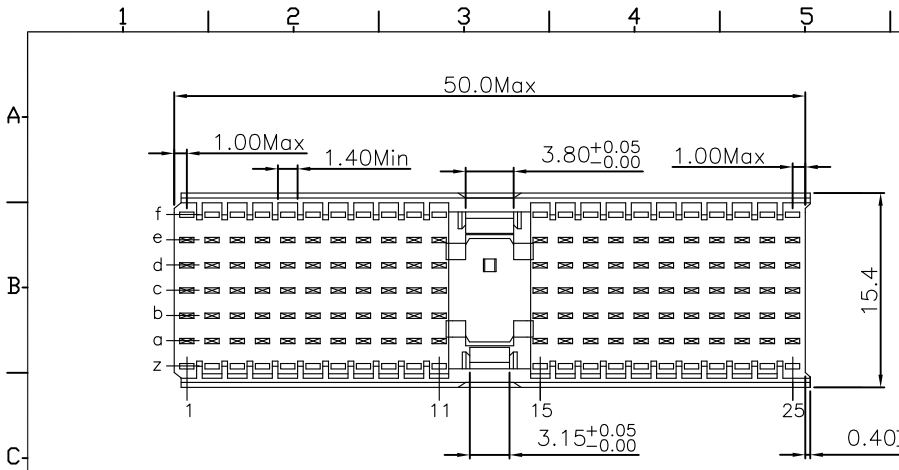


9111- 7 1 A 154 R Cxx U

Series: 9111- 7 1 A 154 R Cxx U
7Row
1: Male
A: Type A
Housing Type: R: R Option
U: Tube Package
Cxx: Dip Tin Contact Gold
10: 10u"
30: 30u"
CB30: Dip Tin
Contact Au+Pd/Ni
30: 30u"

Tolerances	Dwg. No.	9111D71053		Title:	
x = ±0.5	Projection	⊕ ⊖		9111 Series 2.00 Hard Metric Connectors Male Type A	
.x = ±0.25	Unit	mm	Scale		1:1
.xx = ±0.15	Drawn By	CQ 12/14'12			

OUPIN			
OUPIN ELECTRONIC(KUNSHAN) CO., LTD.			
P/N: 9111-71A154RCxxU			
SHEET	1/1	Ver.No.	R3



P.C. Board Layout
(Top View)