

REV.	SPECIFICATION	ECN NO.	APPD.
R1			

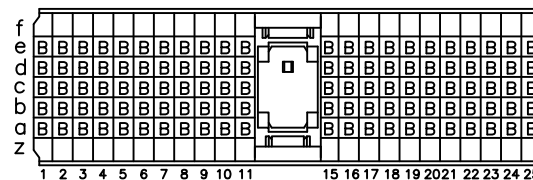
Material:

Housing: Thermoplastic Polyester Glass Filled UL94V-0
 Contacts: Copper Alloy.

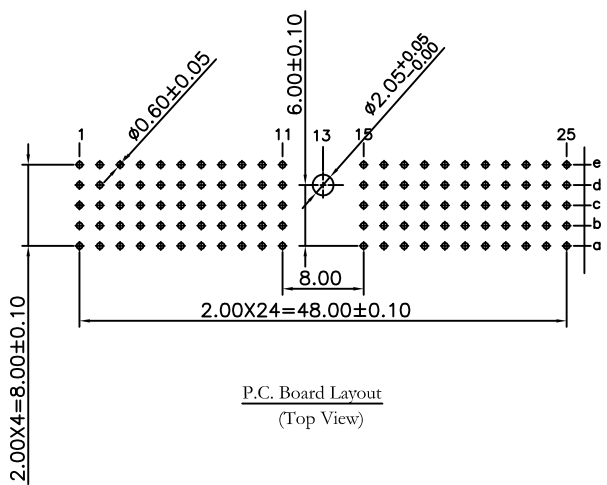
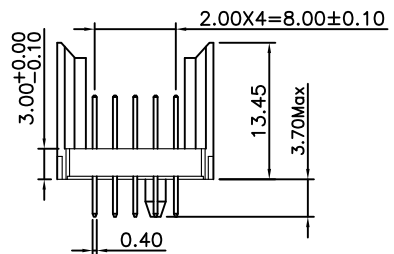
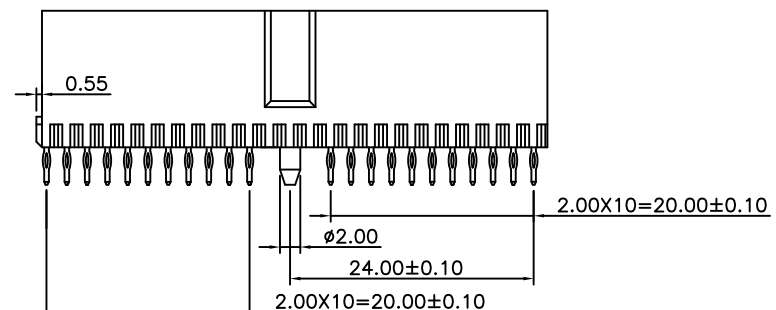
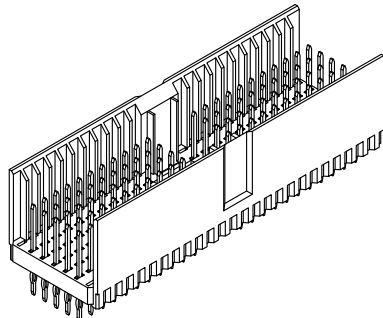
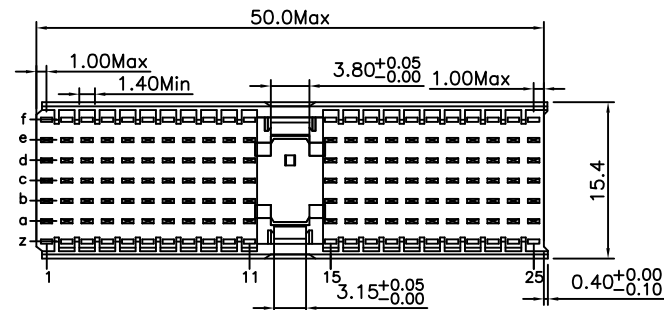
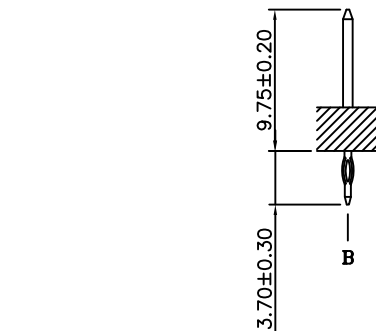
Electrical Characteristics:

Current Rating: 1 AMP.
 Dielectric Withstanding Voltage: AC 750V For 1 minute.
 Insulator Resistance: 10000MΩ min.at DC 500V.
 Contact Resistance: 20mΩ max.at DC 100mA.
 Operating Temperature: -55°C ~ +125°C.

***RoHS Compliant**



CONTACT LAYOUT



P.C. Board Layout
(Top View)

Series 9111- 7 1 A 154 B C xx U
 7Row
 1: Male
 A: Type A
 Housing Type
 B:B Option
 U: Tube
 Package
 10: 10 u"
 30: 30 u"
 C: Dip Tin
 Contact Gold
 G: Gold

Tolerances	Dwg. No.	9111D71012		Title:	9111 Series	
x = ±0.5	Projection	⊕ ↯		Hard Metric Connector		 OUPIN ELECTRONIC(KUNSHAN) CO., LTD. P/N: 9111-71A154BCxxU
.x = ±0.25	Unit	mm	Scale	1:1	SHEET	
.xx = ±0.15	Drawn By	Zhu QL 08/02'12		Male Type A	1/1	
					Ver.No.	R1