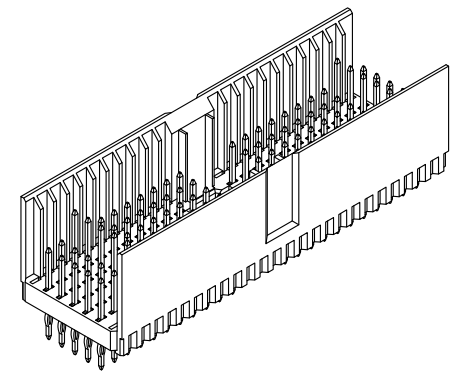
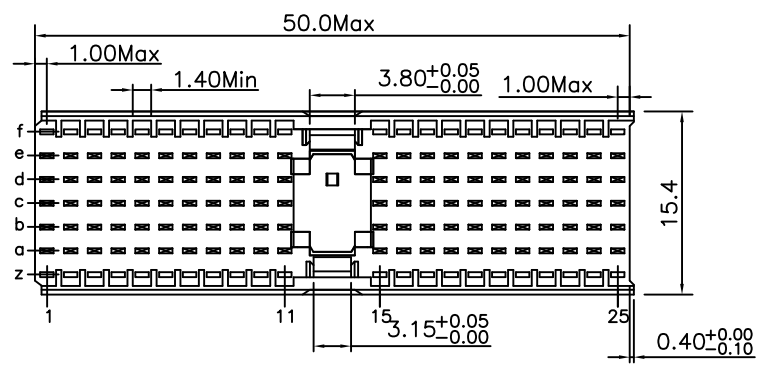


REV.	SPECIFICATION	ECN NO.	APPD.
R1			



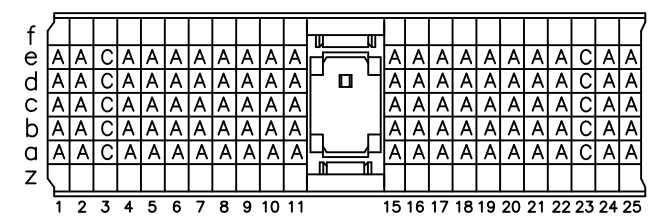
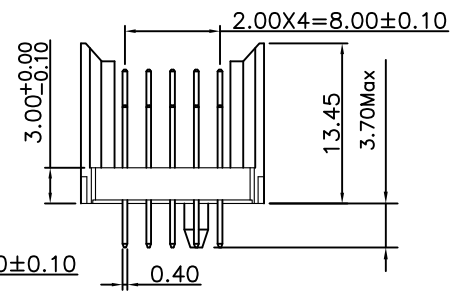
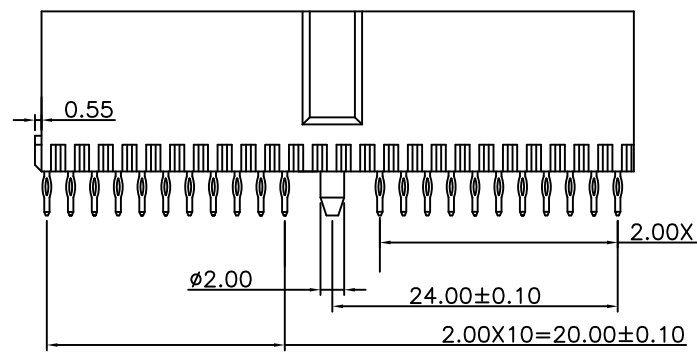
**Material:**

Housing: Thermoplastic Polyester Glass Filled UL94V-0  
 Contacts: Copper Alloy.

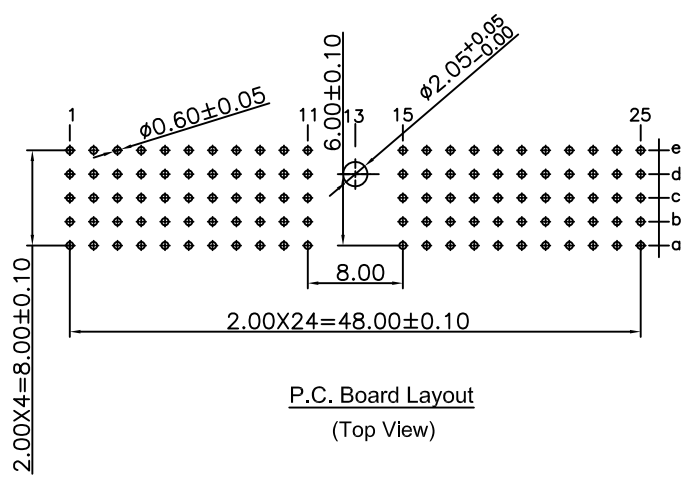
**Electrical Characteristics:**

Current Rating: 1 AMP.  
 Dielectric Withstanding Voltage: AC 750V For 1 minute.  
 Insulator Resistance: 10000MΩ min.at DC 500V.  
 Contact Resistance: 20mΩ max.at DC 100mA.  
 Operating Temperature: -55°C ~ +125°C.

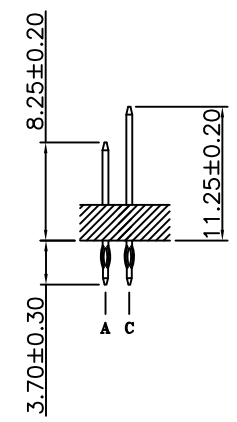
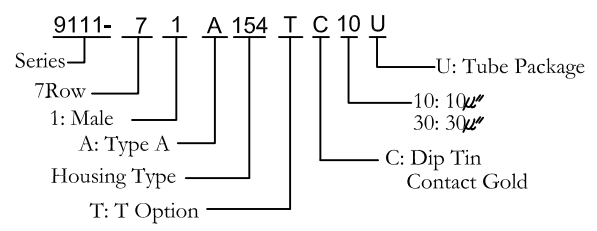
**\*RoHS Compliant**



CONTACT LAYOUT



P.C. Board Layout  
(Top View)



Tolerances	Dwg. No.	9111D71113		Title:	
x = ±0.5	Projection	⊕		9111 Series Hard Metric Connector Male Type A	
.x = ±0.25	Unit	mm	Scale		1:1
.xx = ±0.15	Drawn By	Zhu QL 08/04'12			

9111 Series  
 Hard Metric Connector  
 Male Type A

<b>OUPIN</b>			
OUPIN ELECTRONIC(KUNSHAN) CO., LTD.			
P/N: 9111-71A154TCxxU			
SHEET	1/1	Ver.No.	R1