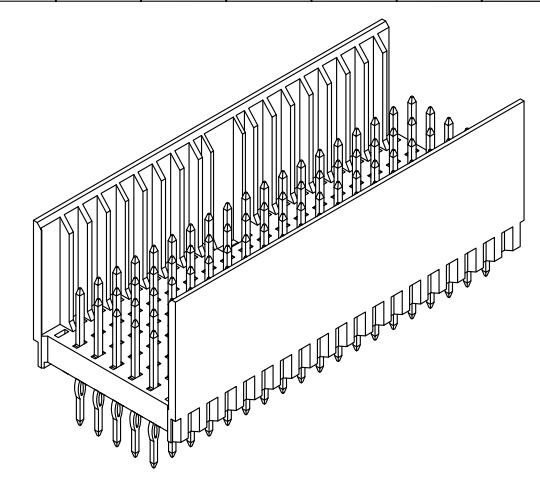
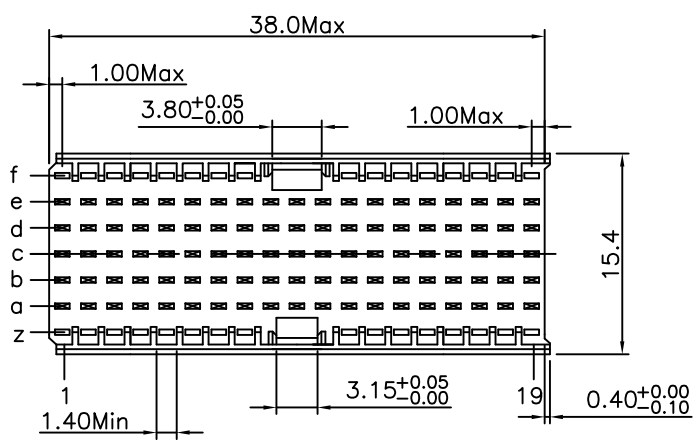


REV.	SPECIFICATION	ECN NO.	APPD.
R1			



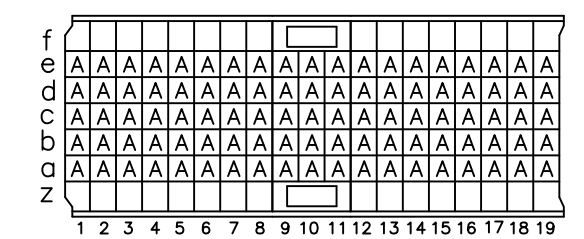
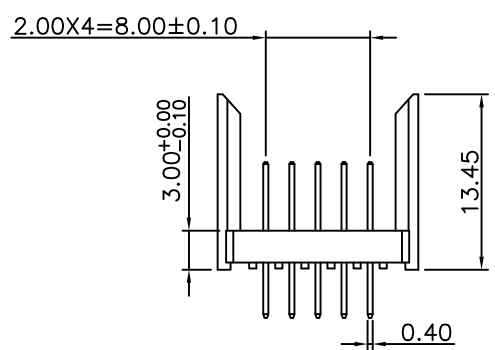
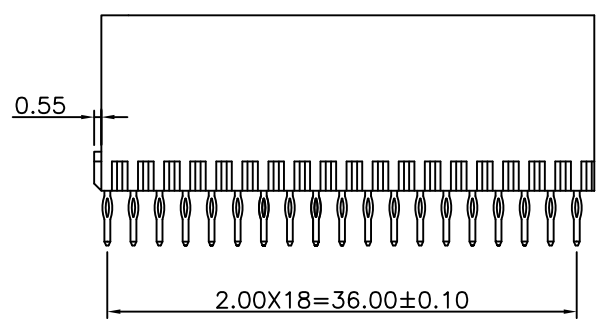
Material:

Housing: Thermoplastic Polyester Glass Filled UL94V-0.
 Contacts: Copper Alloy

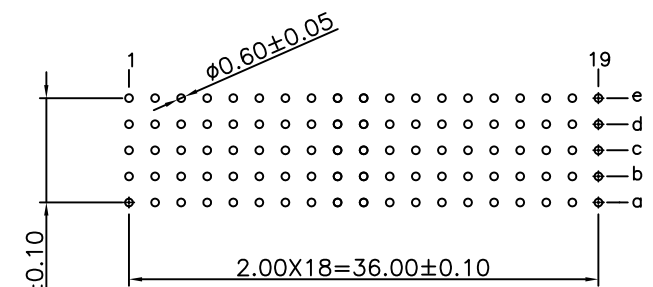
Electrical Characteristics:

Current Rating: 1 AMP.
 Dielectric Withstanding Voltage: AC 750V For 1 minute.
 Insulator Resistance: 10000MΩ min. at DC 500V.
 Contact Resistance: 20mΩ max. at DC 100mA.
 Operating Temperature: -55°C~+125°C .

***RoHS Compliant**

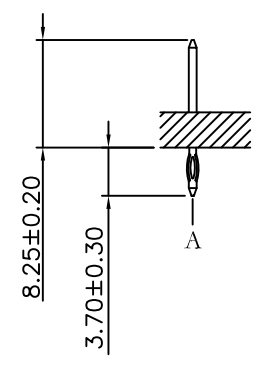


CONTACT LAYOUT



P.C. Board Layout
(Top View)

- 9111- 7 1 AB 127 A C xx U
- Series
- 7Row
- 1: Male
- AB: Type AB
- Housing Type
- A: A Option
- U: Tube Package
- 10: 10 u"
- 30: 30 u"
- C: Dip Tin
- Contact Gold
- G: Gold



Tolerances x = ±0.5 .x = ±0.25 .xx = ±0.15	Drawn No.	9111D71058	Title: 9111 Series Hard Metric Connectors Male Type AB-19				
	Projection						
	Unit	mm		Scale	1:1	SHEET	1/1
	Drawn By	Kunlun 11/20'09		Ver.No.	R1		