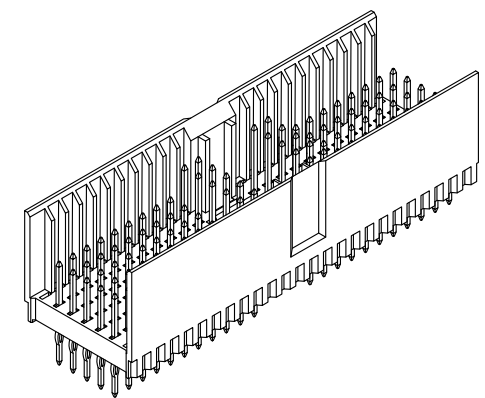
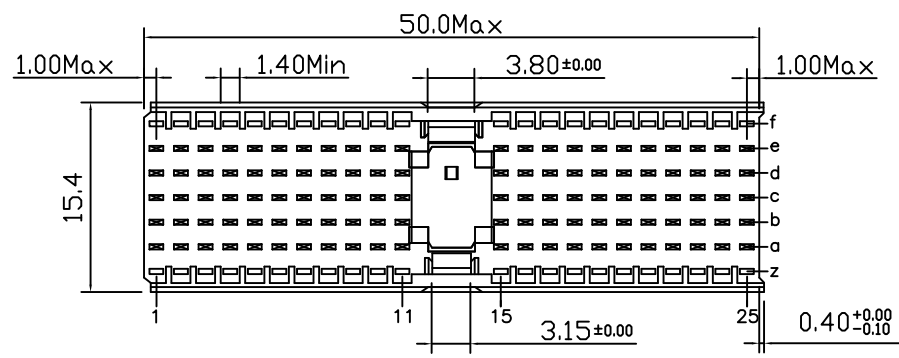


REV.	SPECIFICATION	ECN NO.	APPD.
R1			



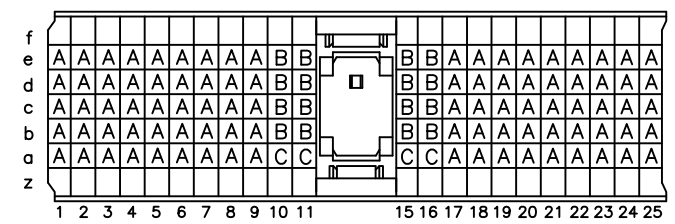
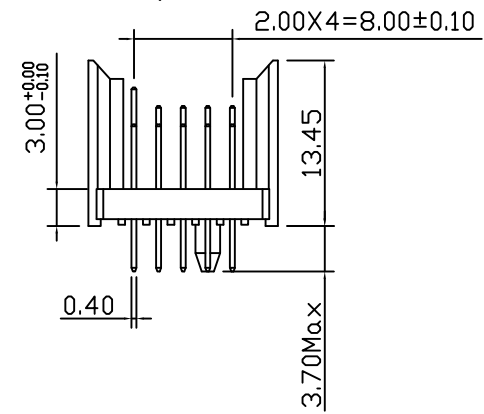
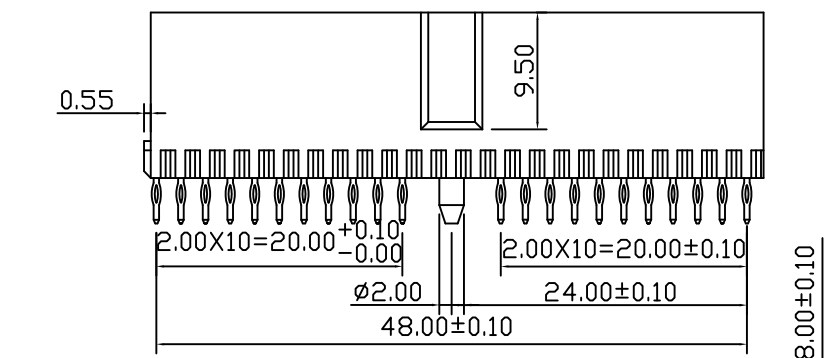
**Material:**

Housing: Thermoplastic Polyester Glass Filled UL94V-0  
 Contacts: Copper Alloy.

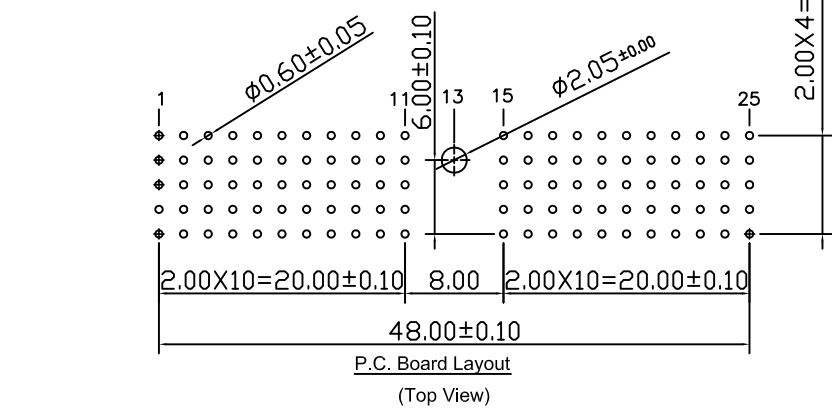
**Electrical Characteristics:**

Current Rating: 1 AMP.  
 Dielectric Withstanding Voltage: AC 750V For 1 minute.  
 Insulator Resistance: 10000MΩ min.at DC 500V.  
 Contact Resistance: 20mΩ max.at DC 100mA.  
 Operating Temperature: -55°C ~ +125°C.

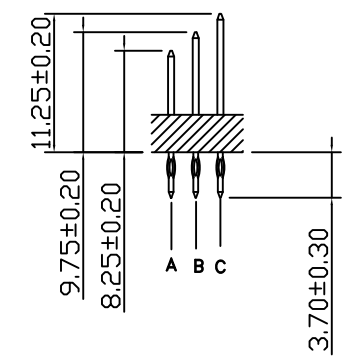
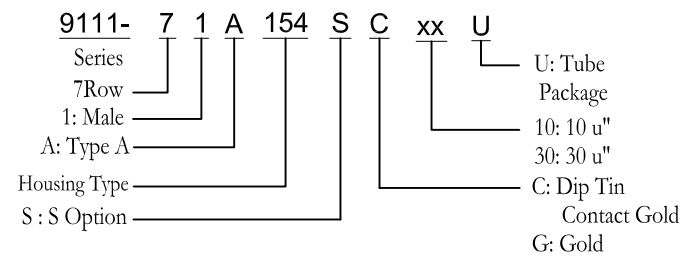
**\*RoHS Compliant**



CONTACT LAYOUT



P.C. Board Layout  
(Top View)



<b>Tolerances</b>	<b>Dwg. No.</b>	9111D71101	<b>Title:</b>	9111 Series 2.0 Hard Metric Connectors Male Type A	 <b>OUPIIN ELECTRONIC(KUNSHAN) CO., LTD.</b> P/N: 9111-71A154SCxxU SHEET 1/1 Ver.No. R1
x = ±0.5	<b>Projection</b>				
.x = ±0.25	<b>Unit</b>	mm	<b>Scale</b>	1:1	
.xx = ±0.15	<b>Drawn By</b>	Zhu QL 08/15'12			