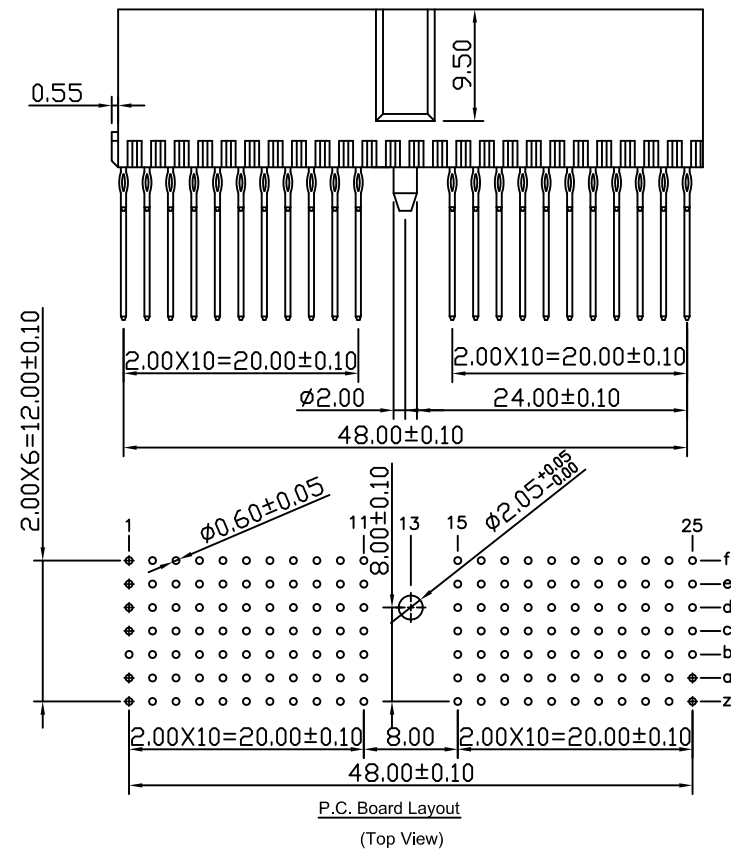
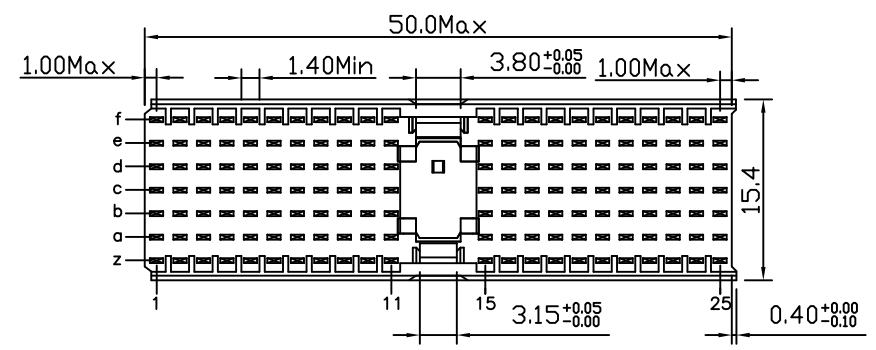
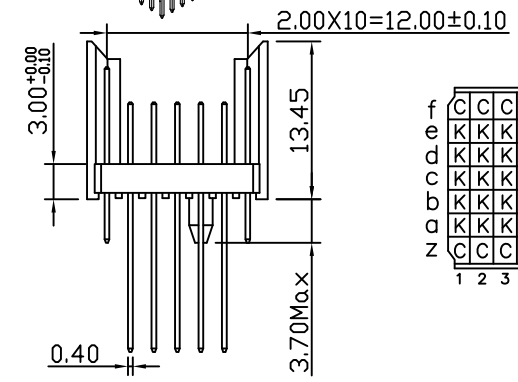
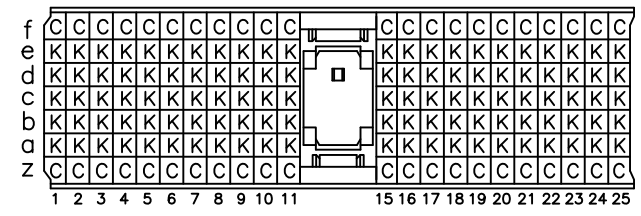


REV.	SPECIFICATION	ECN NO.	APPD.
R1			

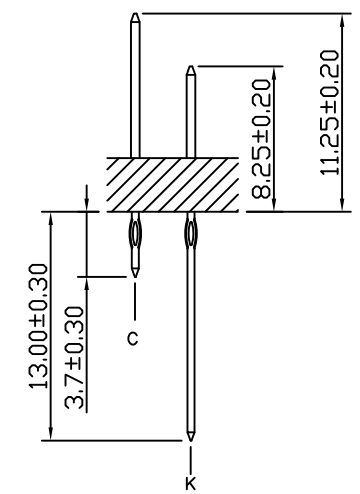
**Material:**  
Housing: Thermoplastic Polyester Glass Filled UL94V-0  
Contacts: Copper Alloy

**Electrical Characteristics:**  
Current Rating: 1 AMP.  
Dielectric Withstanding Voltage: AC 750V For 1 minute.  
Insulator Resistance: 10000MΩ min.at DC 500V.  
Contact Resistance: 20mΩ max.at DC 100mA.  
Operating Temperature: -55°C ~ +125°C.

**\*RoHS Compliant**



9111- 7 1 A 154 X C xx U  
Series 7Row 1: Male A: Type A Housing Type X: X Option  
U: Tube Package  
10: 10 u"  
30: 30 u"  
C: Dip Tin  
Contact Gold  
G: Gold



Tolerances	Dwg. No.	9111D71108	Title:		9111 Series	
x = ±0.5	Projection		2.00 Hard Metric		Connectors Male	
.x = ±0.25	Unit	mm	Scale	1:1	Type A	OUPIN ELECTRONIC(KUNSHAN) CO., LTD.
.xx = ±0.15	Drawn By	Zhu QL 08/15'12				P/N: 9111-71A154XCxxU
						SHEET 1/1
						Ver.No. R1