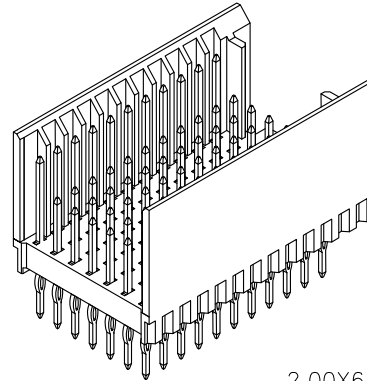
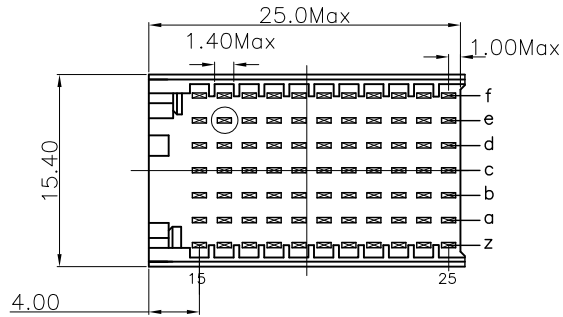


REV.	SPECIFICATION	ECN NO.	APPD.
R3		ECR140130	



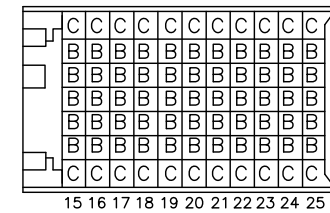
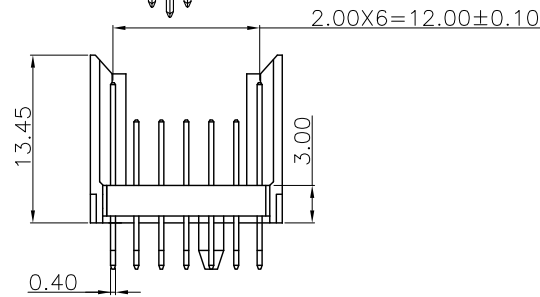
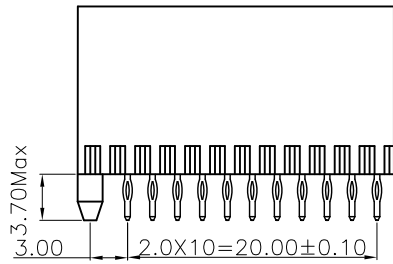
Material:

Housing: Thermoplastic Polyester Glass Filled UL94V-0
 Contacts: Copper Alloy.

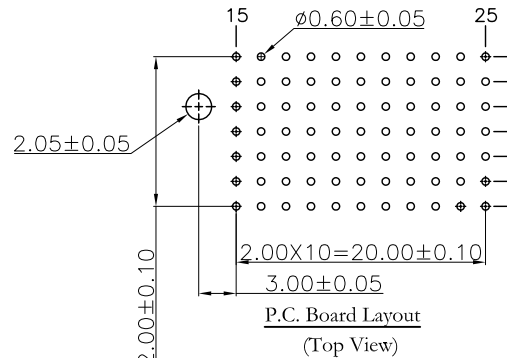
Electrical Characteristics:

Current Rating: 1 AMP.
 Dielectric Withstanding Voltage: AC 750V For 1 minute.
 Insulator Resistance: 10000MΩ min.at DC 500V.
 Contact Resistance: 20mΩ max.at DC 100mA.
 Operating Temperature: -55°C ~ +125°C.

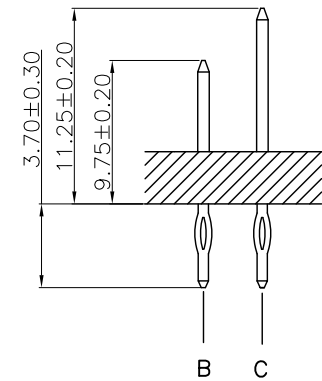
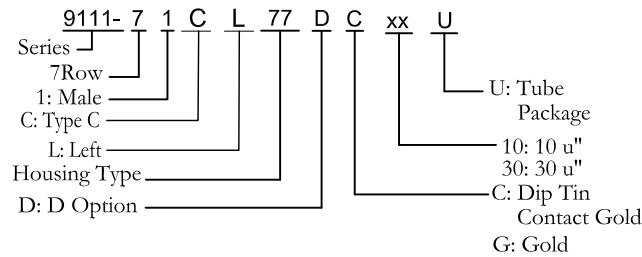
***RoHS Compliant**



CONTACT LAYOUT



P.C. Board Layout
(Top View)



Tolerances	Dwg. No.	9111D71083		Title:		
x = ±0.5	Projection	⊕ ↯		9111 Series 2.00 Hard Metric Connectors Male Type C		
.x = ±0.25	Unit	mm	Scale			1:1
.xx = ±0.15	Drawn By	ZZN 01/13'14				

OUPIN			
OUPIN ELECTRONIC(KUNSHAN) CO., LTD.			
P/N: 9111-71CL77DCxxU			
SHEET	1/1	Ver.No.	R3