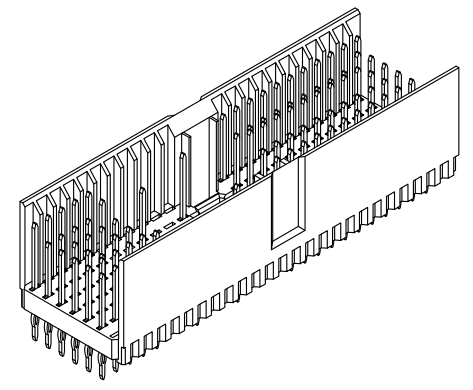
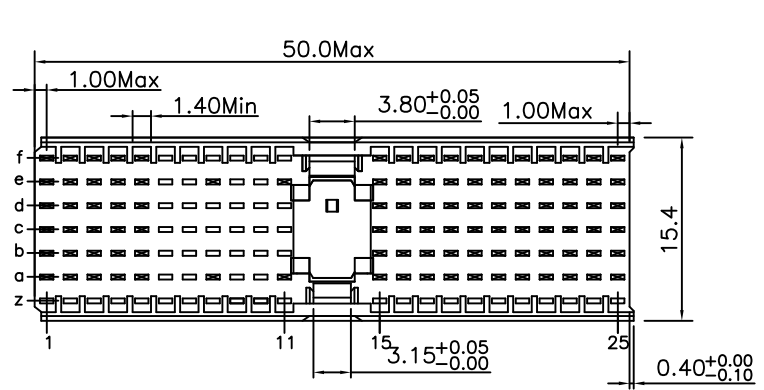


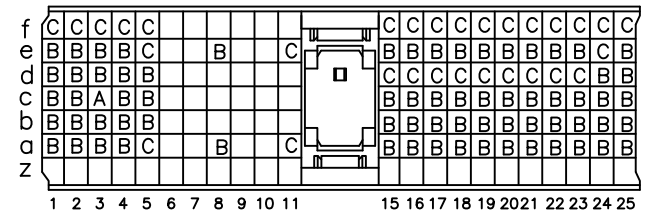
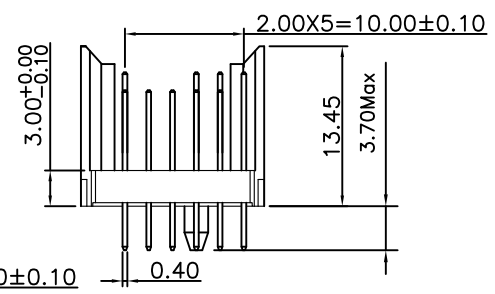
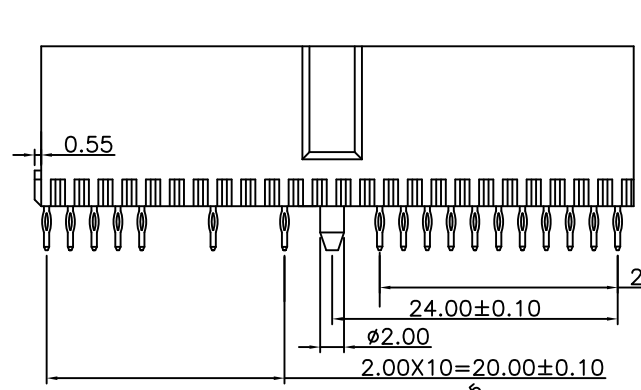
REV.	SPECIFICATION	ECN NO.	APPD.
R1			



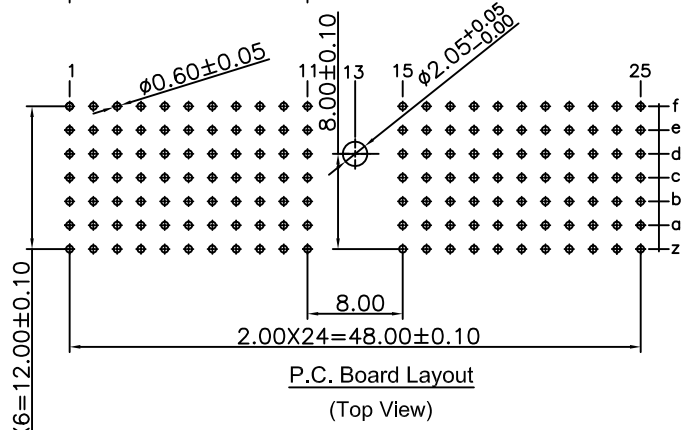
**Material:**  
Housing: Thermoplastic Polyester Glass Filled UL94V-0  
Contacts: Copper Alloy.

**Electrical Characteristics:**  
Current Rating: 1 AMP.  
Dielectric Withstanding Voltage: AC 750V For 1 minute.  
Insulator Resistance: 10000MΩ min.at DC 500V.  
Contact Resistance: 20mΩ max.at DC 100mA.  
Operating Temperature: -55°C ~ +125°C.

**\*RoHS Compliant**



CONTACT LAYOUT

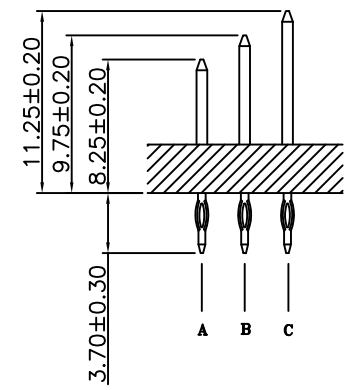


P.C. Board Layout  
(Top View)

9111- 7 1 A 154 G C 10 U

Series: 9111-  
7Row: 7  
1: Male  
A: Type A  
Housing Type: A  
G: G Option

U: Tube Package  
10: 10μ  
30: 30μ  
C: Dip Tin Contact Gold



Tolerances	Dwg. No.	9111D71017	Title:
x = ±0.5	Projection		9111 Series
.x = ±0.25	Unit	mm	Hard Metric Connector
.xx = ±0.15	Drawn By	Zhu QL 08/02'12	Male Type A

9111 Series  
Hard Metric Connector  
Male Type A

<b>OUPIN</b>			
OUPIN ELECTRONIC(KUNSHAN) CO., LTD.			
P/N: 9111-71A154GCxxU			
SHEET	1/1	Ver.No.	R1