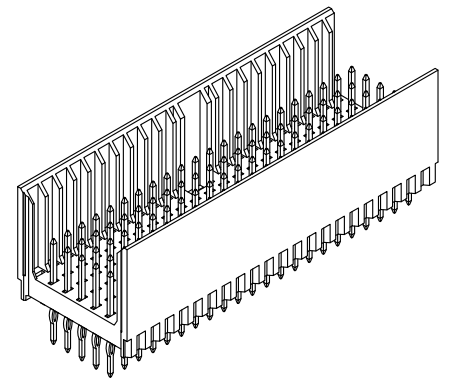
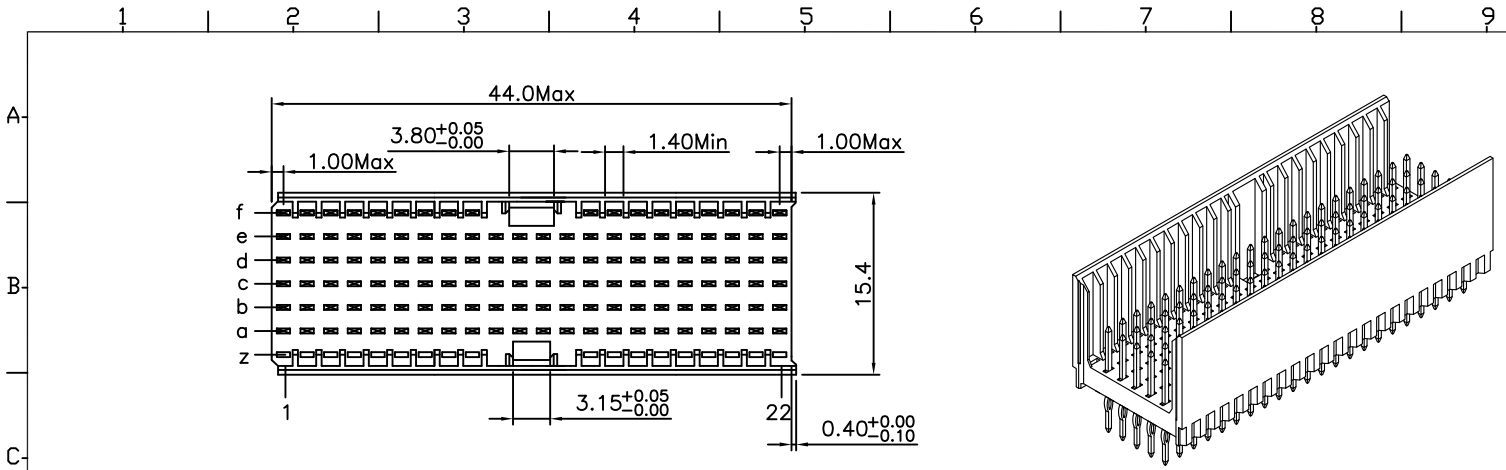


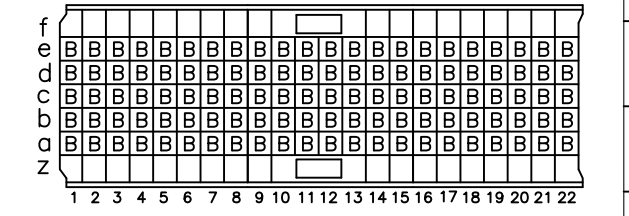
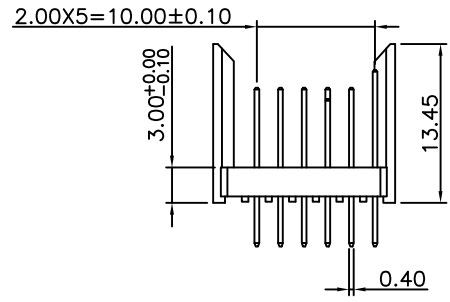
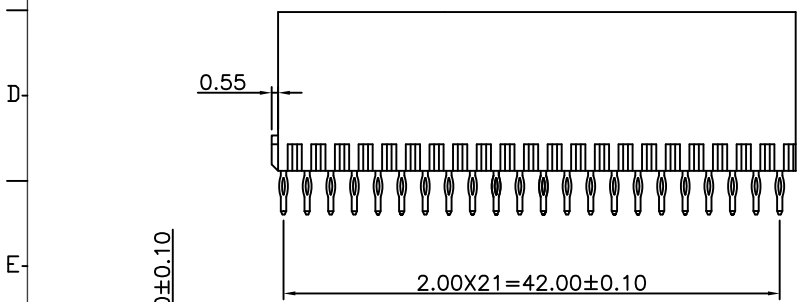
REV.	SPECIFICATION	ECN NO.	APPD.
R1			



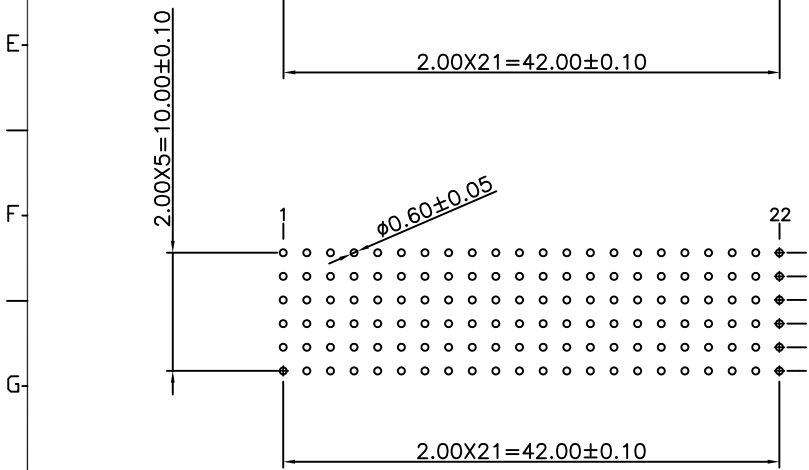
**Material:**  
**Housing:** Thermoplastic Polyester Glass Filled UL94V-0  
**Contacts:** Copper Alloy.

**Electrical Characteristics:**  
**Current Rating:** 1 AMP.  
**Dielectric Withstanding Voltage:** AC 750V For 1 minute.  
**Insulator Resistance:** 10000MΩ min. at DC 500V.  
**Contact Resistance:** 20mΩ max. at DC 100mA.  
**Operating Temperature:** -55°C~+125°C .

**\*RoHS Compliant**

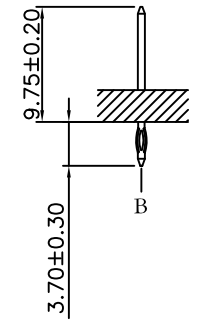


CONTACT LAYOUT



P.C. Board Layout  
(Top View)

9111- 7 1 AB 146 H C xx U  
 Series ———  
 7Row ———  
 1: Male ———  
 AB: Type AB ———  
 Housing Type ———  
 H: H Option ———  
 U: Tube Package  
 10: 10 u"  
 30: 30 u"  
 C: Dip Tin  
 Contact Gold  
 G: Gold Plated



<b>Tolerances</b>	<b>Drawn No.</b>	9111D71210	<b>Title:</b>	9111 Series 2.00 Hard Metric Connectors Male Type AB-22	<b>OUPIN</b> OUPIN ELECTRONIC(KUNSHAN) CO., LTD.
x = ±0.5	<b>Projection</b>			<b>P/N:</b> 9111-71AB146HCxxU	
.x = ±0.25	<b>Unit</b>	mm	<b>Scale</b>	1:1	<b>SHEET</b> 1/1
.xx = ±0.15	<b>Drawn By</b>	Kunlun 09/16'10			<b>Ver.No.</b> R1