

REV.	SPECIFICATION	ECN NO.	APPD.
R1			

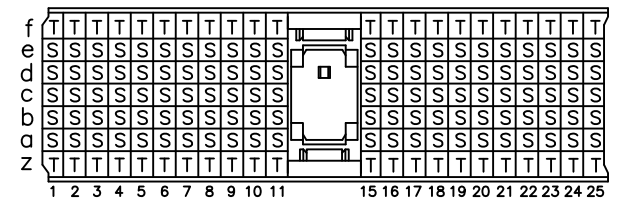
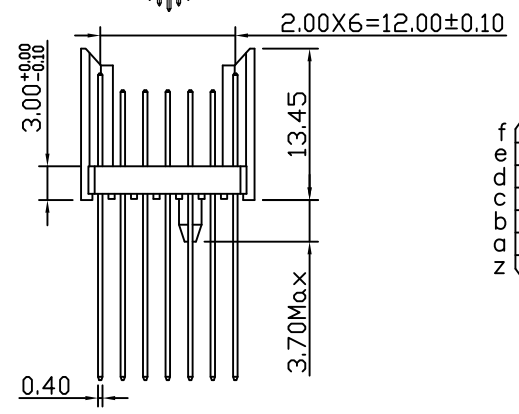
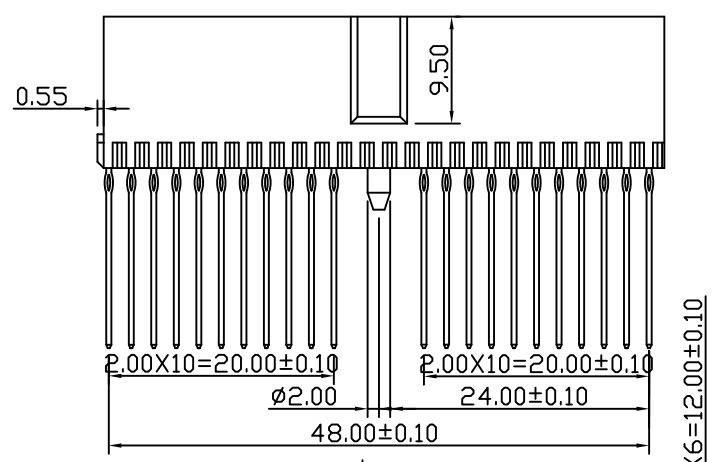
Material:

Housing: Thermoplastic Polyester Glass Filled UL94V-0
 Contacts: Copper Alloy.

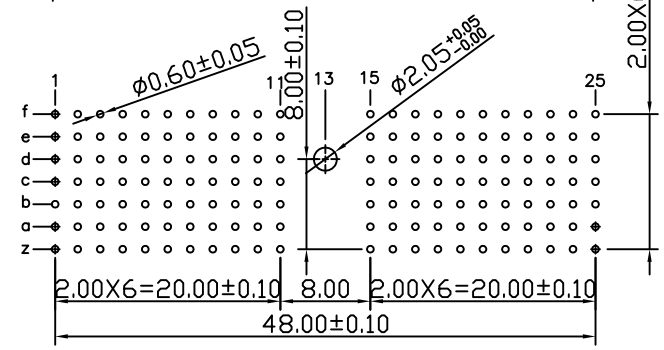
Electrical Characteristics:

Current Rating: 1 AMP.
 Dielectric Withstanding Voltage: AC 750V For 1 minute.
 Insulator Resistance: 10000MΩ min.at DC 500V.
 Contact Resistance: 20mΩ max.at DC 100mA.
 Operating Temperature: -55°C ~ +125°C.

***RoHS Compliant**

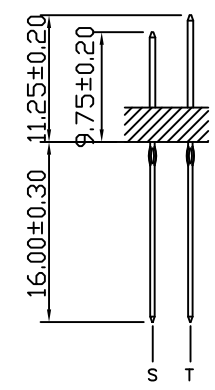



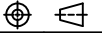
CONTACT LAYOUT



P.C. Board Layout
(Top View)

9111- 7 1 A 154 V C xx U
 Series 7Row 1: Male A: Type A Housing Type V: V Option
 U: Tube Package
 10: 10 u"
 30: 30 u"
 C: Dip Tin
 Contact Gold
 G: Gold



Tolerances	Dwg. No.	9111D71106	Title:		 OUPIIN ELECTRONIC(KUNSHAN) CO., LTD. P/N: 9111-71A154VCxxU					
x = ±0.5	Projection		9111 Series							
.x = ±0.25	Unit	mm	Scale	1:1	2.00 Hard Metric		SHEET	1/1	Ver.No.	R1
.xx = ±0.15	Drawn By	Zhu QL 08/15'12	Connectors Male		Type A					