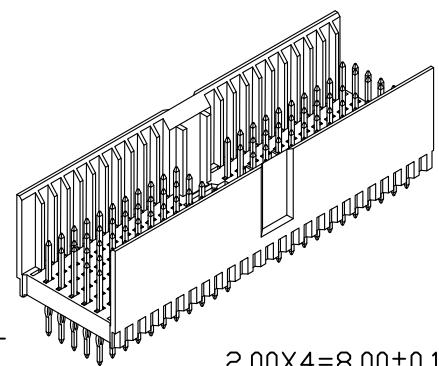
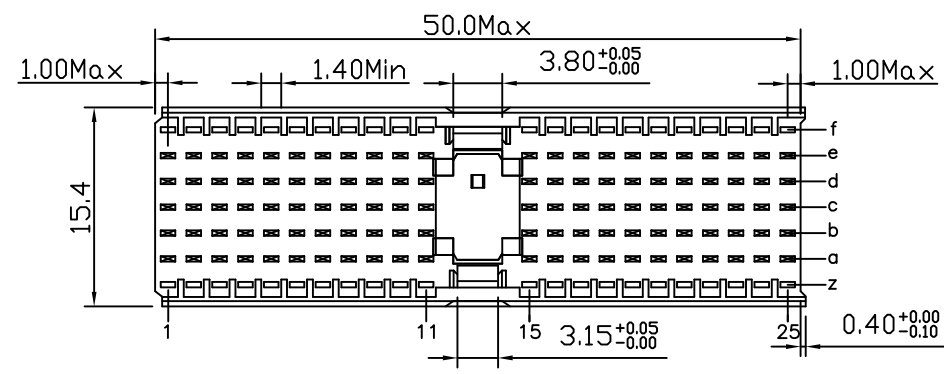


REV.	SPECIFICATION	ECN NO.	APPD.
R1			



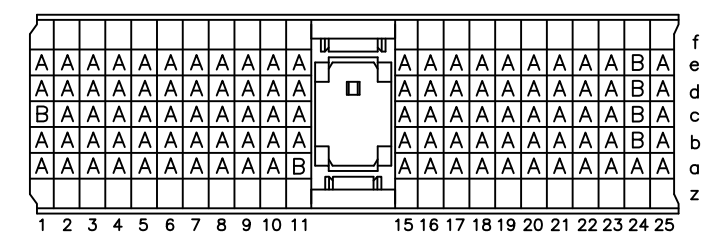
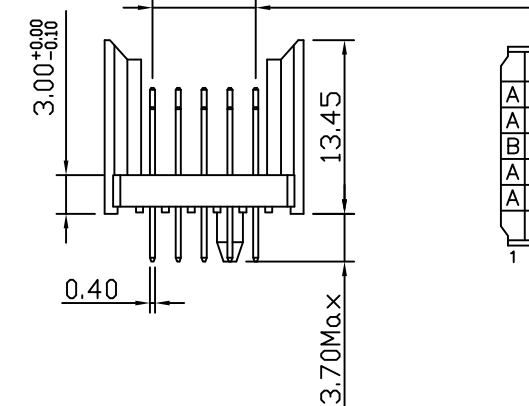
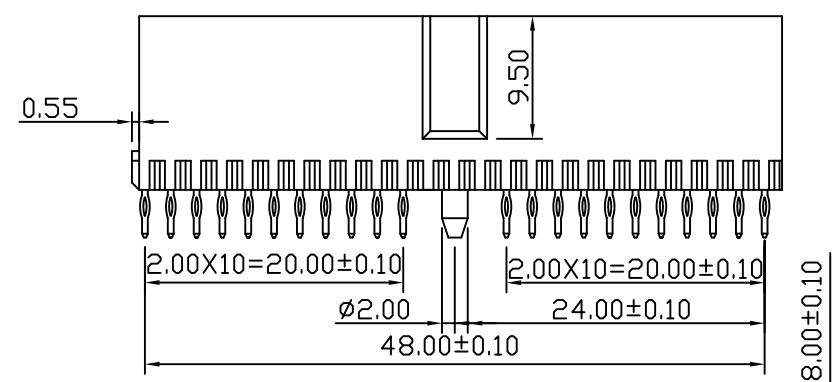
Material:

Housing: Thermoplastic Polyester Glass Filled UL94V-0
 Contacts: Copper Alloy.

Electrical Characteristics:

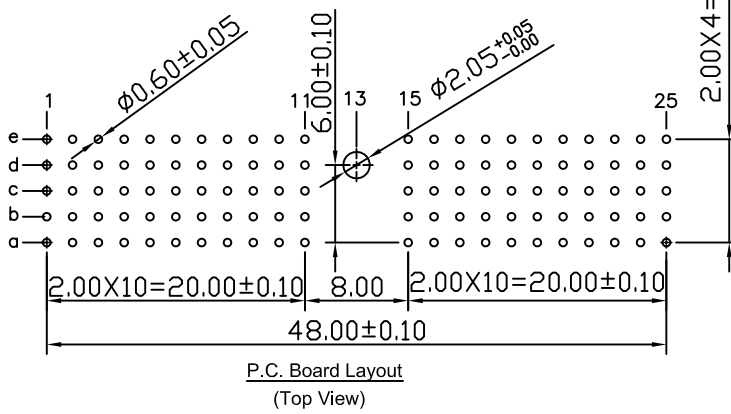
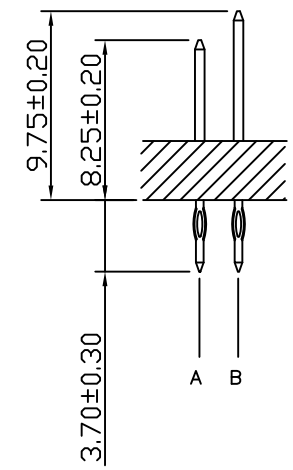
Current Rating: 1 AMP.
 Dielectric Withstanding Voltage: AC 750V For 1 minute.
 Insulator Resistance: 10000MΩ min.at DC 500V.
 Contact Resistance: 20mΩ max.at DC 100mA.
 Operating Temperature: -55°C ~ +125°C.

***RoHS Compliant**



CONTACT LAYOUT

9111- 7 1 A 154 U C xx U
 Series 7Row 1: Male A: Type A Housing Type U: U Option
 U: Tube Package
 10: 10 u"
 30: 30 u"
 C: Dip Tin
 Contact Gold
 G: Gold



P.C. Board Layout
(Top View)

Tolerances	Dwg. No.	9111D71102	Title:		9111 Series 2.00 Hard Metric Connectors Male Type A	 OUPIIN ELECTRONIC(KUNSHAN) CO., LTD.			
x = ±0.5	Projection								
.x = ±0.25	Unit	mm	Scale	1:1					
.xx = ±0.15	Drawn By	Zhu QL 08/15'12							
						SHEET	1/1	Ver.No.	R1