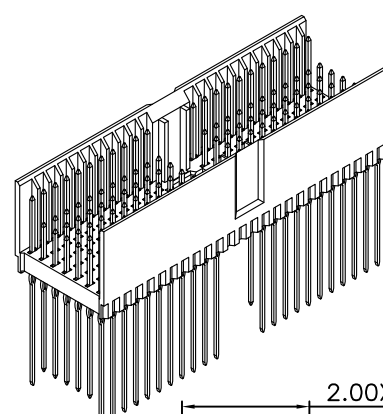
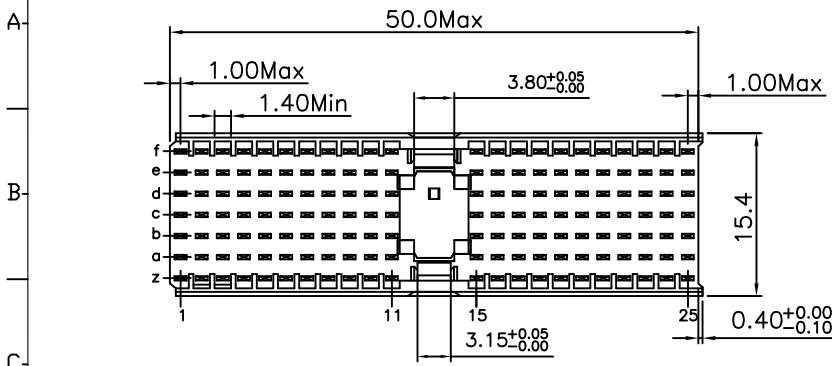


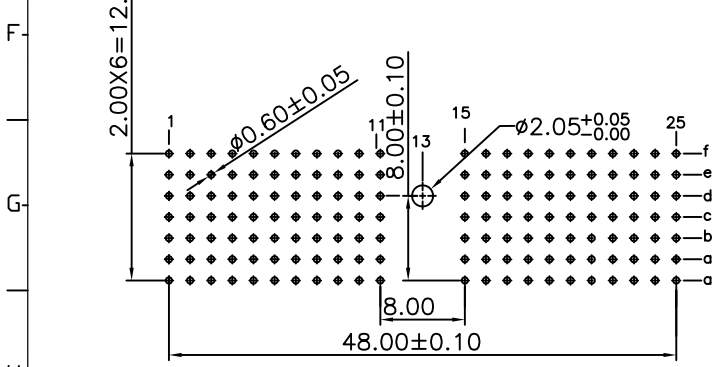
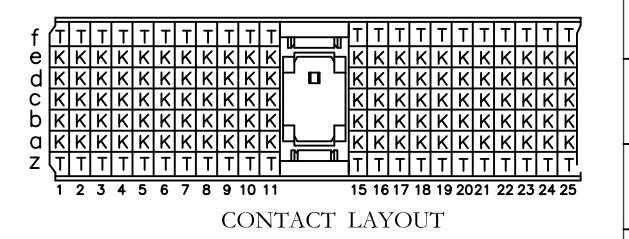
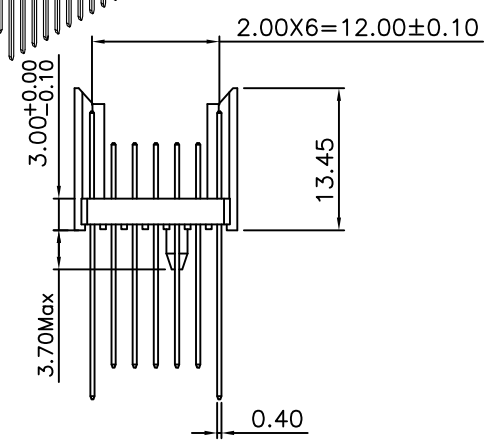
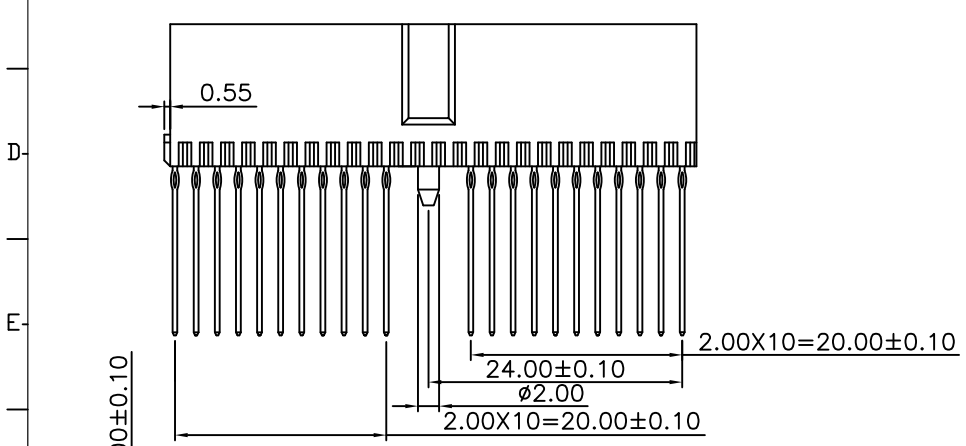
REV.	SPECIFICATION	ECN NO.	APPD.
R1			



**Material:**  
Housing: Thermoplastic Polyester Glass Filled UL94V-0  
Contacts: Copper Alloy.

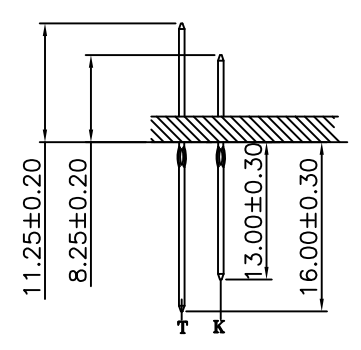
**Electrical Characteristics:**  
Current Rating: 1 AMP.  
Dielectric Withstanding Voltage: AC 750V For 1 minute.  
Insulator Resistance: 10000MΩ min.at DC 500V.  
Contact Resistance: 20mΩ max.at DC 100mA.  
Operating Temperature: -55°C ~ +125°C.

**\*RoHS Compliant**



9111- 7 1 A 154 N C xx U

Series | 7Row | 1: Male | A: Type A | Housing Type | N: N Option | U: Tube Package | 10: 10μ" | 30: 30μ" | C: Dip Tin | Contact Gold



<b>Tolerances</b>	<b>Dwg. No.</b>	9111D71023	<b>Title:</b>		<b>9111 Series</b> 2.00Hard Metril Connectora Male Type A	 <b>OUPIIN ELECTRONIC(KUNSHAN) CO., LTD.</b>			
x = ±0.5	<b>Projection</b>								
.x = ±0.25	<b>Unit</b>	mm	<b>Scale</b>	1:1		<b>SHEET</b> 1/1			
.xx = ±0.15	<b>Drawn By</b>	Zhu QL 08/15'12				<b>Ver.No.</b> R1			