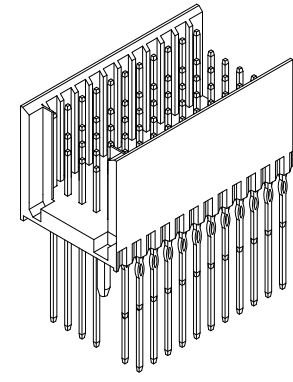
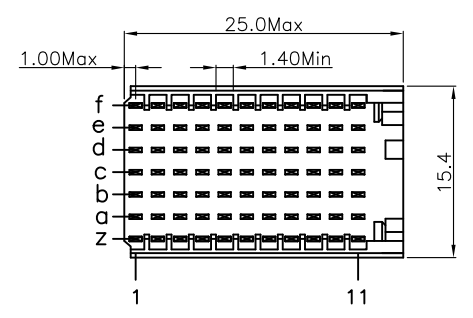


REV.	SPECIFICATION	ECN NO.	APPD.
R1			



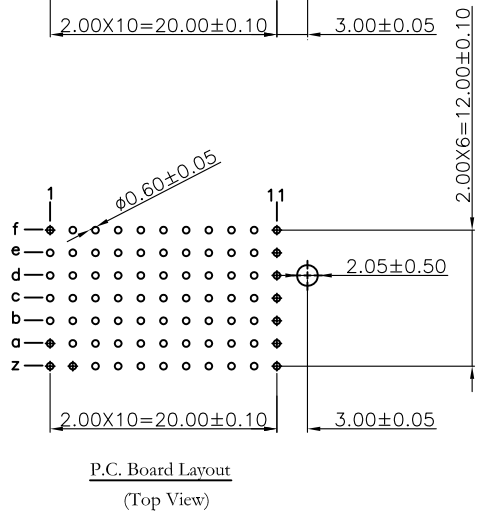
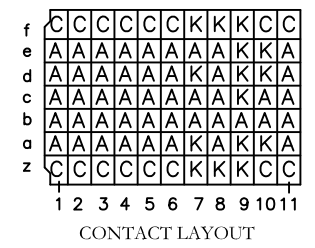
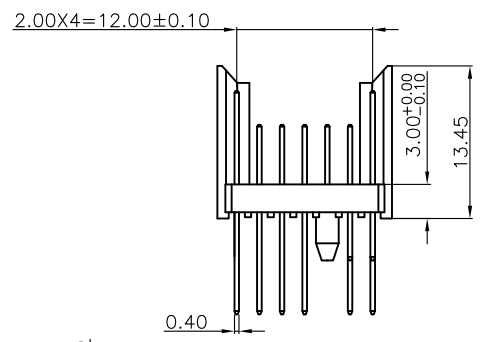
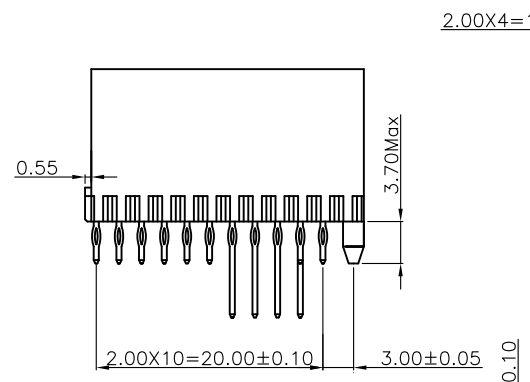
Material:

Housing: Thermoplastic Polyester Glass Filled UL94V-0
 Contacts: Copper Alloy.

Electrical Characteristics:

Current Rating: 1 AMP.
 Dielectric Withstanding Voltage: AC 750V For 1 minute.
 Insulator Resistance: 10000MΩ min.at DC 500V.
 Contact Resistance: 20mΩ max.at DC 100mA.
 Operating Temperature: -55°C ~ +125°C.

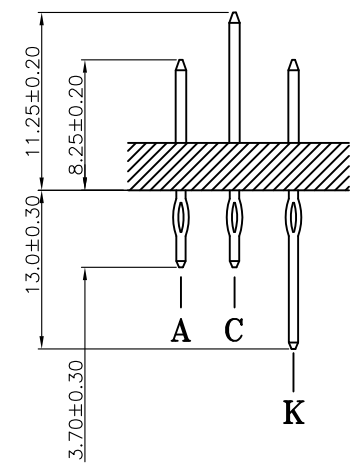
***RoHS Compliant**



9111- 7 1 C 77 I C xx U

Series
 7Row
 1: Male
 C: Type C
 Housing Type
 I: I Option

U: Tube Package
 10: 10 u"
 30: 30 u"
 C: Dip Tin
 Contact Gold
 G: Gold



Tolerances	Dwg. No.	9111D71087		Title:	
x = ±0.5	Projection	⊕		9111 Series	
.x = ±0.25	Unit	mm	Scale	2.00 Haed Metric	
.xx = ±0.15	Drawn By	Zhu QL	08/15'12	Connectors Male	
				Type C	

9111 Series
 2.00 Haed Metric
 Connectors Male
 Type C

OUPIN			
OUPIN ELECTRONIC(KUNSHAN) CO., LTD.			
P/N: 9111-71C77ICxxU			
SHEET	1/1	Ver.No.	R1