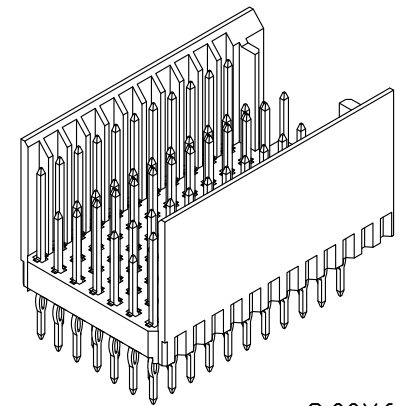
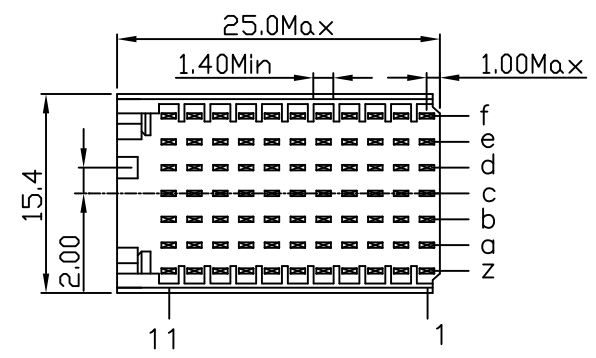


REV.	SPECIFICATION	ECN NO.	APPD.
R1			



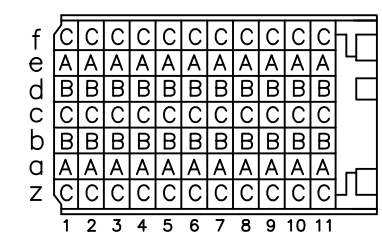
**Material:**

Housing: Thermoplastic Polyester Glass Filled UL94V-0  
 Contacts: Copper Alloy.

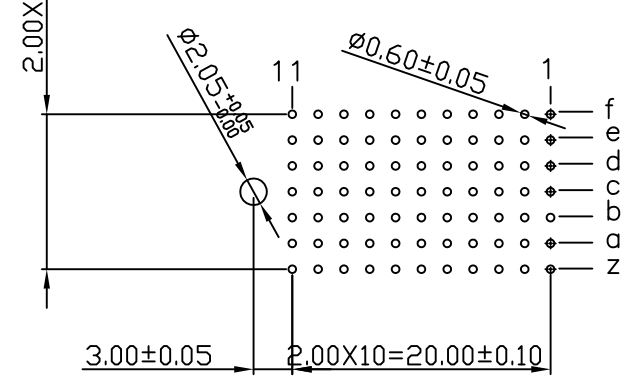
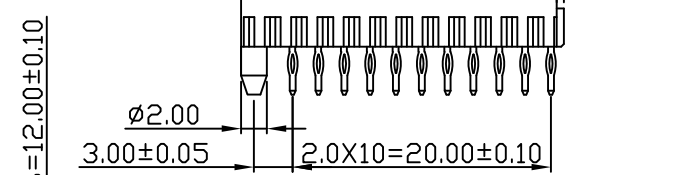
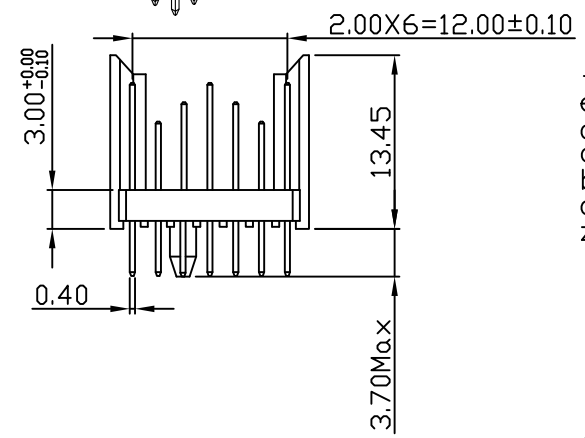
**Electrical Characteristics:**

Current Rating: 1 AMP.  
 Dielectric Withstanding Voltage: AC 750V For 1 minute.  
 Insulator Resistance: 10000MΩ min.at DC 500V.  
 Contact Resistance: 20mΩ max.at DC 100mA.  
 Operating Temperature: -55°C ~ +125°C .

**\*RoHS Compliant**

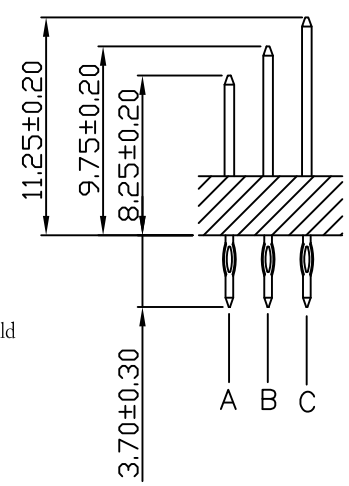


CONTACT LAYOUT



P.C. Board Layout  
(Top View)

9111- 7 1 C 77 K C xx U  
 Series 7 Row 1: Male C: Type C Housing Type K: K Option U: Tube Package 10: 10 u" 30: 30 u" C: Dip Tin Contact Gold G: Gold



Tolerances	Dwg. No.	9111D71118
x = ±0.5	Projection	
.x = ±0.25	Unit	mm
.xx = ±0.15	Scale	1:1
	Drawn By	Zhu QL 08/15'12

Title: 9111 Series  
 2.00 Hard Metric  
 Connectors Male  
 Type C

OUPIIN ELECTRONIC(KUNSHAN) CO., LTD.			
P/N: 9111-71C77KCxxU			
SHEET	1/1	Ver.No.	R1