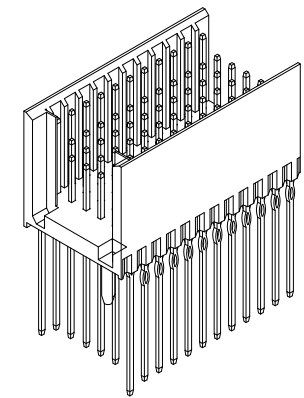
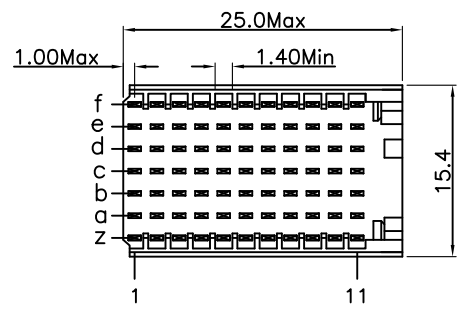


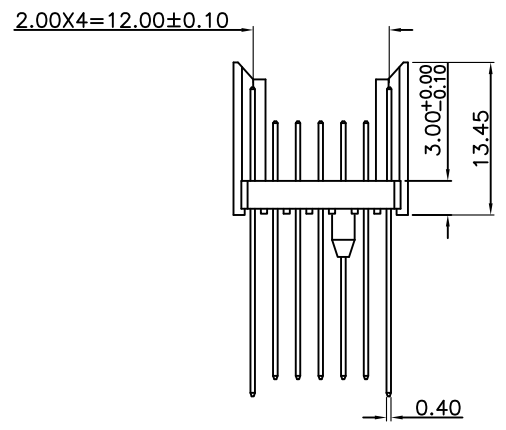
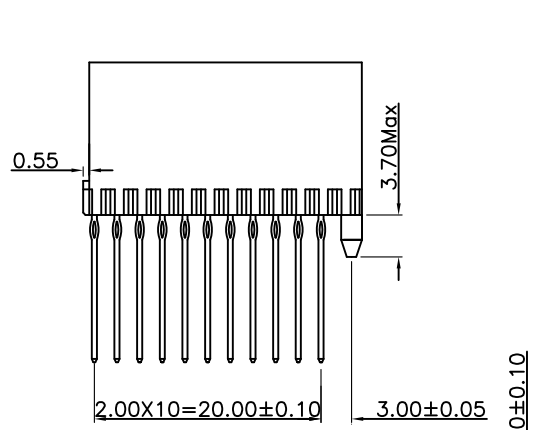
REV.	SPECIFICATION	ECN NO.	APPD.
R1			



Material:
Housing: Thermoplastic Polyester Glass Filled UL94V-0
Contacts: Copper Alloy.

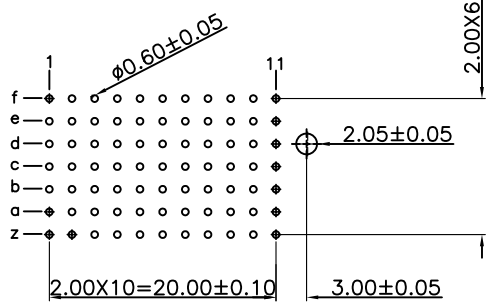
Electrical Characteristics:
Current Rating: 1 AMP.
Dielectric Withstanding Voltage: AC 750V For 1 minute.
Insulator Resistance: 10000MΩ min.at DC 500V.
Contact Resistance: 20mΩ max.at DC 100mA.
Operating Temperature: -55°C ~ +125°C .

***RoHS Compliant**



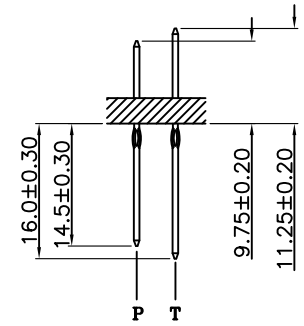
f	T	T	T	T	T	T	T	T	T	T	
e	P	P	P	P	P	P	P	P	P	P	
d	P	P	P	P	P	P	P	P	P	P	
c	P	P	P	P	P	P	P	P	P	P	
b	P	P	P	P	P	P	P	P	P	P	
a	P	P	P	P	P	P	P	P	P	P	
z	T	T	T	T	T	T	T	T	T	T	
	1	2	3	4	5	6	7	8	9	10	11

CONTACT LAYOUT



P.C. Board Layout
(Top View)

9111- 7 1 C 77 G C xx U
Series | 7Row | 1: Male | U: Tube Package
C: Type C | Housing Type | 10: 10 u" | 30: 30 u"
G: G Option | C: Dip Tin | Contact Gold
G: Gold



Tolerances	Dwg. No.	9111D71078	Title:	
x = ±0.5	Projection		9111 Series	
.x = ±0.25	Unit	mm	2.00 Haed Metric	
.xx = ±0.15	Scale	1:1	Connectors Male	
	Drawn By	Zhu QL 08/15'12	Type C	

9111 Series
2.00 Haed Metric
Connectors Male
Type C

OUPIN			
OUPIN ELECTRONIC(KUNSHAN) CO., LTD.			
P/N: 9111-71C77GCxxU			
SHEET	1/1	Ver.No.	R1