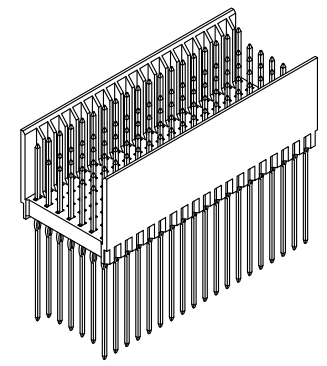
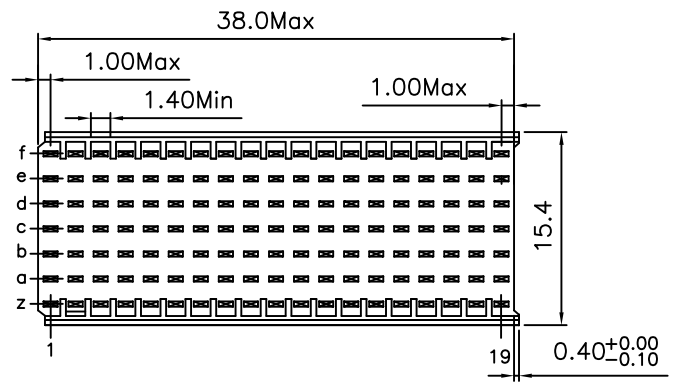


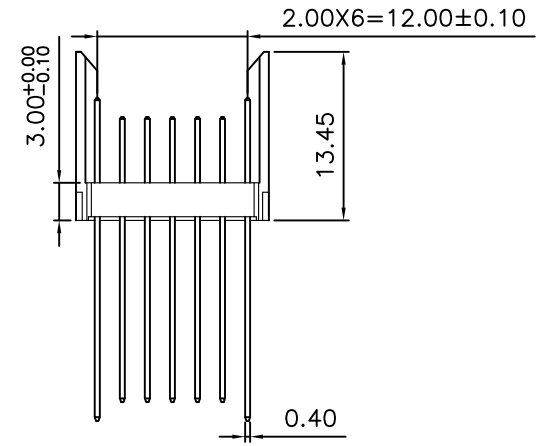
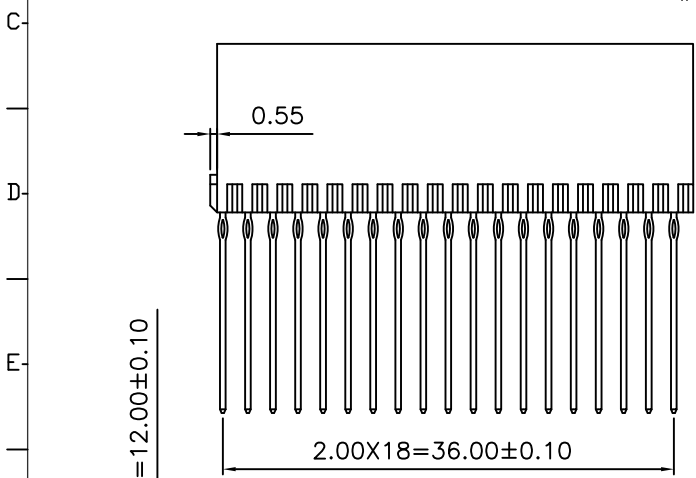
REV.	SPECIFICATION	ECN NO.	APPD.
R1			



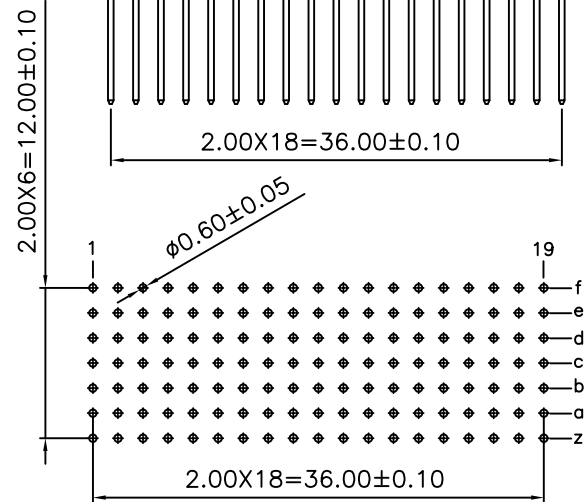
Material:
Housing: Thermoplastic Polyester Glass Filled UL94V-0
Contacts: Copper Alloy

Electrical Characteristics:
Current Rating: 1 AMP.
Dielectric Withstanding Voltage: AC 750V For 1 minute.
Insulator Resistance: 10000MΩ min.at DC 500V.
Contact Resistance: 20mΩ max.at DC 100mA.
Operating Temperature: -55°C ~ +125°C .

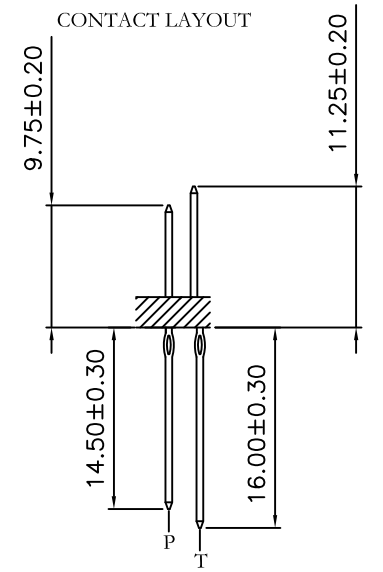
***RoHS Compliant**



f	T	T	T	T	T	T	T	T	T	T	T	T	T	T	T	T	T	T	
e	P	P	P	P	P	P	P	P	P	P	P	P	P	P	P	P	P	P	
d	P	P	P	P	P	P	P	P	P	P	P	P	P	P	P	P	P	P	
c	P	P	P	P	P	P	P	P	P	P	P	P	P	P	P	P	P	P	
b	P	P	P	P	P	P	P	P	P	P	P	P	P	P	P	P	P	P	
a	P	P	P	P	P	P	P	P	P	P	P	P	P	P	P	P	P	P	
z	T	T	T	T	T	T	T	T	T	T	T	T	T	T	T	T	T	T	
	1	2	3	4	5	6	7	8	9	10	11	12	13	14	15	16	17	18	19



9111- 7 1 B 133 D C xx U
Series: 7Row, 1: Male, B: Type B, Housing Type, D:D Option
U: Tube Package, 10: 10 u", 30: 30 u", C: Dip Tin, Contact Gold, G: Gold



Tolerances	Dwg. No.	9111D71028	Title:	9111 Series	OUPIN OUPIN ELECTRONIC(KUNSHAN) CO., LTD.
x = ±0.5	Projection		Hard Metric Connector	P/N: 9111-71B133DCxxU	
.x = ±0.25	Unit	mm	Scale	1:1	
.xx = ±0.15	Drawn By	Zhu QL 08/02'12	Male Type B-19	SHEET 1/1 Ver.No. R1	