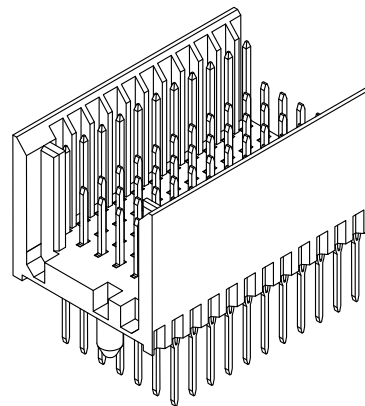
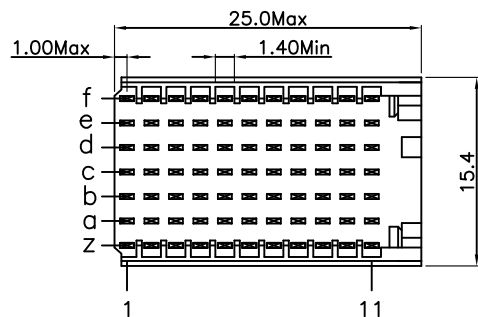


REV.	SPECIFICATION	ECN NO.	APPD.
R1			



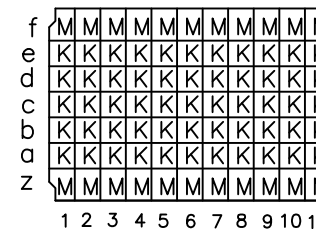
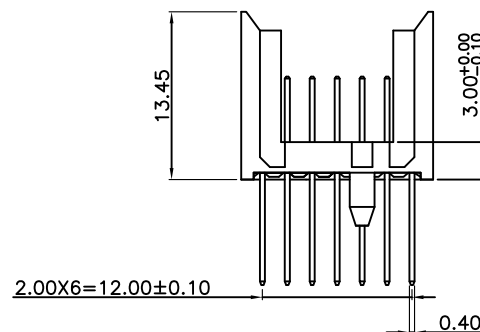
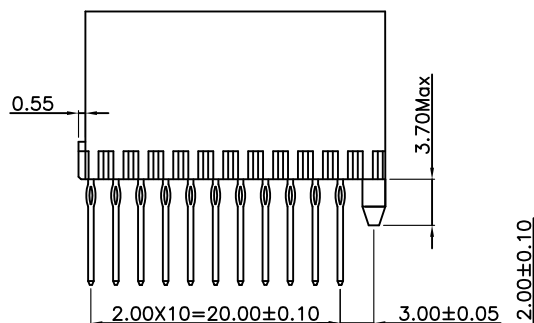
Material:

Housing: Thermoplastic Polyester Glass Filled UL94V-0
 Contacts: Copper Alloy.

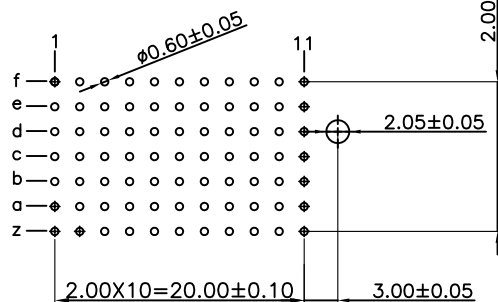
Electrical Characteristics:

Current Rating: 1 AMP.
 Dielectric Withstanding Voltage: AC 750V For 1 minute.
 Insulator Resistance: 10000MΩ min.at DC 500V.
 Contact Resistance: 20m Ω max. at DC 100mA.
 Operating Temperature: -55°C ~ +125°C .

***RoHS Compliant**

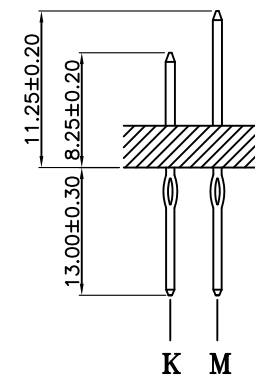


CONTACT LAYOUT



P.C. Board Layout
(Top View)

9111- 7 1 C 77 N C 10 U
 Series: 7Row
 1: Male
 C: Type C
 Housing Type
 N: N Option
 U: Tube Package
 10: 10 u"
 30: 30 u"
 C: Dip Tin
 Contact Gold
 G: Gold



Tolerances	Dwg. No.	9111D71157		Title:	
x = ±0.5	Projection	⊕ ↯		9111 Series Hard Metric Connector Male Type C	
.x = ±0.25	Unit	mm	Scale		1:1
.xx = ±0.15	Drawn By	Zhu QL 08/04'12			

OUPIN			
OUPIN ELECTRONIC(KUNSHAN) CO., LTD.			
P/N: 9111-71C77NCxxU			
SHEET	1/1	Ver.No.	R1