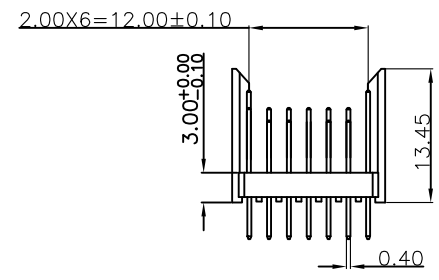
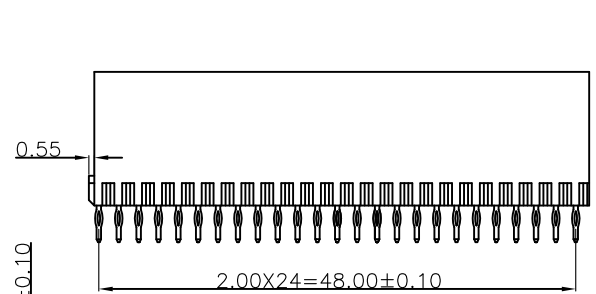
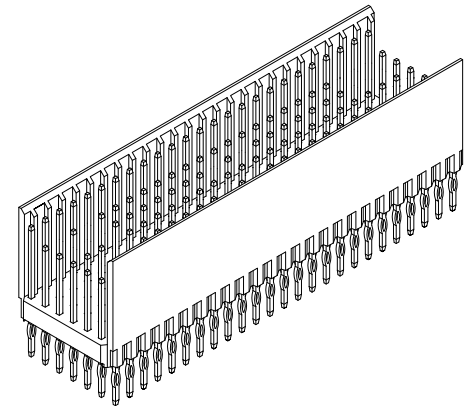
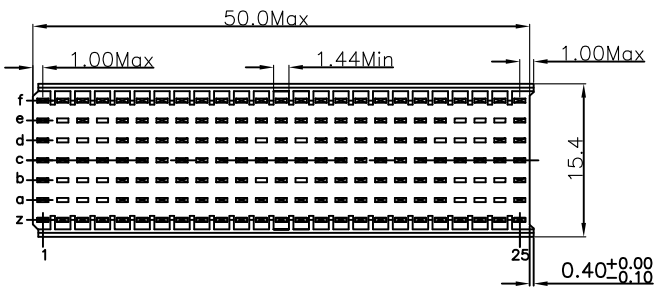


| | | | |
|------|---------------|---------|-------|
| REV. | SPECIFICATION | ECN NO. | APPD. |
| R1 | | | |

Material:
Housing: Thermoplastic Polyester Glass Filled UL94V-0
Contacts: Copper Alloy.

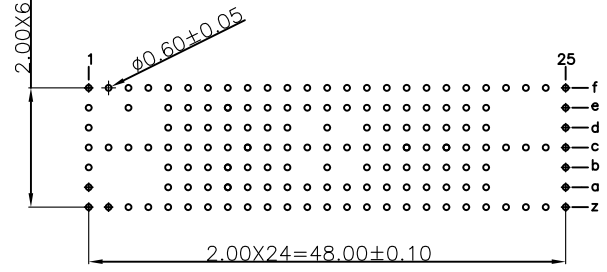
Electrical Characteristics:
Current Rating: 1 AMP.
Dielectric Withstanding Voltage: AC 750V For 1 minute.
Insulator Resistance: 10000MΩ min.at DC 500V.
Contact Resistance: 20mΩ max.at DC 100mA.
Operating Temperature: -55°C ~ +125°C.

***RoHS Compliant**



| | | | | | | | | | | | | | | | | | | | | | | | | | |
|---|---|---|---|---|---|---|---|---|---|----|----|----|----|----|----|----|----|----|----|----|----|----|----|----|----|
| f | B | C | C | B | B | B | B | B | B | B | C | C | B | B | B | B | B | B | B | C | C | B | | | |
| e | B | A | B | A | B | A | B | A | B | A | B | A | B | A | B | A | B | A | B | | | B | | | |
| d | B | | | B | A | B | A | B | A | B | A | B | A | B | A | B | A | B | | | | B | | | |
| c | B | B | B | B | B | B | B | B | B | B | B | B | B | B | B | B | B | B | B | B | B | B | | | |
| b | B | | | B | A | B | A | B | A | B | A | B | A | B | A | B | A | B | | | | B | | | |
| a | B | | | B | A | B | A | B | A | B | A | B | A | B | A | B | A | B | | | | B | | | |
| z | B | C | C | B | B | B | B | B | B | B | C | C | B | B | B | B | B | B | B | C | C | B | | | |
| | 1 | 2 | 3 | 4 | 5 | 6 | 7 | 8 | 9 | 10 | 11 | 12 | 13 | 14 | 15 | 16 | 17 | 18 | 19 | 20 | 21 | 22 | 23 | 24 | 25 |

CONTACT LAYOUT



P.C. Board Layout
(Top View)

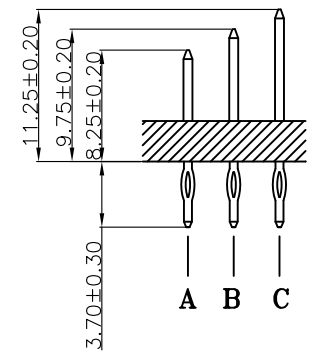
9111- 7 1 B 175 S C xx U

Series — 9111-
7Row — 7
1: Male — 1
B: Type B — B
Housing Type — 175
S: S Option — S

C: Dip Tin
xx: Contact Gold
U: Tube Package

10: 10 u"
30: 30 u"

C: Gold



| | | | | | |
|-------------|------------|------------|-------|------------------|--|
| Tolerances | Dwg. No. | 9111D71092 | | Title: | |
| x = ±0.5 | Projection | ⊕ | | 9111 Series | |
| .x = ±0.25 | Unit | mm | Scale | 2.00 Haed Metric | |
| .xx = ±0.15 | Drawn By | Zhu QL | 1:1 | Connectors Male | |
| | | | | Type B-25 | |

| | | | |
|-------------------------------------|-----|---------|----|
| OUPIN | | | |
| OUPIN ELECTRONIC(KUNSHAN) CO., LTD. | | | |
| P/N: 9111-71B175SCxxU | | | |
| SHEET | 1/1 | Ver.No. | R1 |