

REV.	SPECIFICATION	ECN NO.	APPD.
R1			

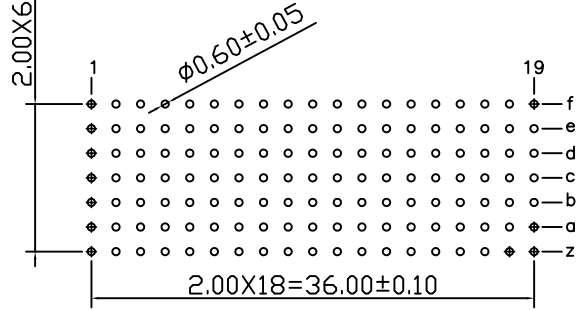
**Material:**  
Housing: Thermoplastic Polyester Glass Filled UL94V-0  
Contacts: Copper Alloy.

**Electrical Characteristics:**  
Current Rating: 1 AMP.  
Dielectric Withstanding Voltage: AC 750V For 1 minute.  
Insulator Resistance: 10000MΩ min.at DC 500V.  
Contact Resistance: 20mΩ max.at DC 100mA.  
Operating Temperature: -55°C ~ +125°C.

**\*RoHS Compliant**

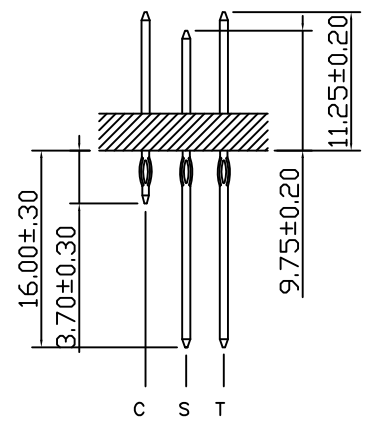
f	T	T	T	T	T	T	T	T	C	C	T	T	T	T	T	T	T		
e	S	S	S	S	S	S	S	S	S	S	S	S	S	S	S	S	S		
d	S	S	S	S	S	S	S	S	S	S	S	S	S	S	S	S			
c	S	S	S	S	S	S	S	S	S	S	S	S	S	S	S	S			
b	S	S	S	S	S	S	S	S	S	S	S	S	S	S	S	S			
a	S	S	S	S	S	S	S	S	S	S	S	S	S	S	S	S			
z	T	T	T	T	T	T	T	T	C	C	T	T	T	T	T	T			
	1	2	3	4	5	6	7	8	9	10	11	12	13	14	15	16	17	18	19

CONTACT LAYOUT



P.C. Board Layout  
(Top View)

9111- 7 1 B 133 I C xx U  
Series  
7Row  
1: Male  
B: Type B  
Housing Type  
I: I Option  
U: Tube Package  
10: 10 u"  
30: 30 u"  
C: Dip Tin  
Contact Gold  
G: Gold



Tolerances	Dwg. No.	9111D71149		Title:	
x = ±0.5	Projection	⊕ ⊖		9111 Series 2.00 Hard Metric Connectors Male Type B-19	
.x = ±0.25	Unit	mm	Scale		1:1
.xx = ±0.15	Drawn By	Zhu QL 08/15'12			

<b>OUPIN</b>			
OUPIN ELECTRONIC(KUNSHAN) CO., LTD.			
P/N: 9111-71B133ICxxU			
SHEET	1/1	Ver. No.	R1