

REV.	SPECIFICATION	ECN NO.	APPD.
R1			

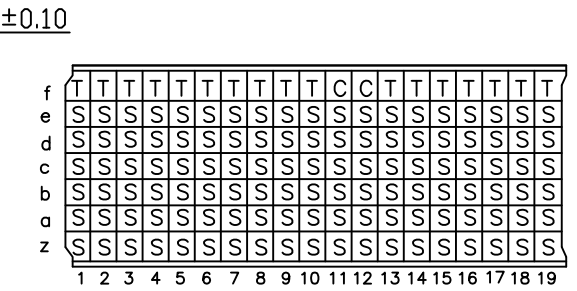
Material:

Housing: Thermoplastic Polyester Glass Filled UL94V-0
 Contacts: Copper Alloy.

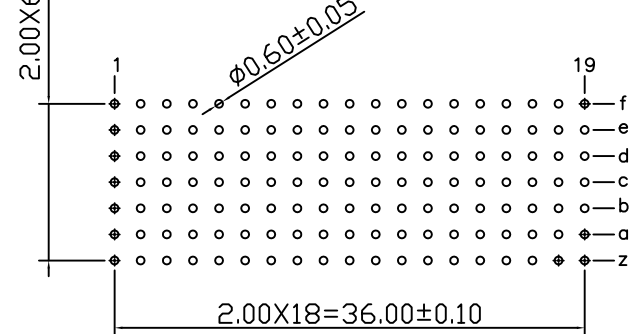
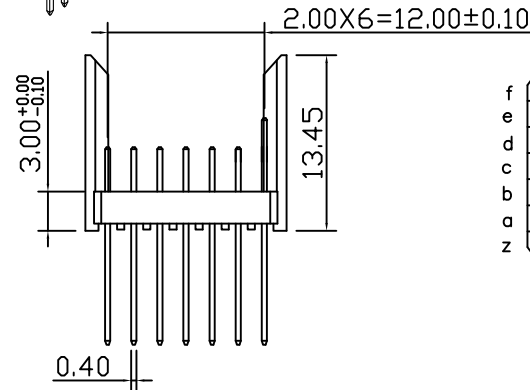
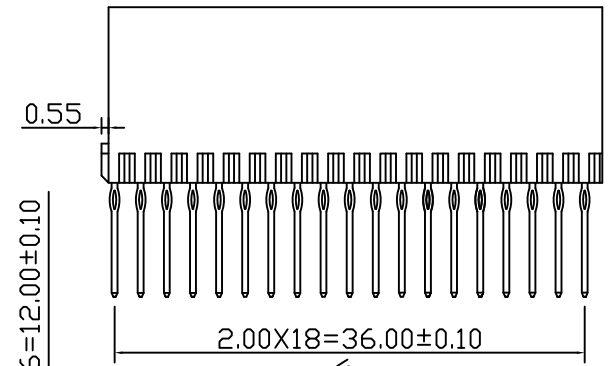
Electrical Characteristics:

Current Rating: 1 AMP.
 Dielectric Withstanding Voltage: AC 750V For 1 minute.
 Insulator Resistance: 10000MΩ min.at DC 500V.
 Contact Resistance: 20mΩ max.at DC 100mA.
 Operating Temperature: -55°C ~ +125°C.

***RoHS Compliant**

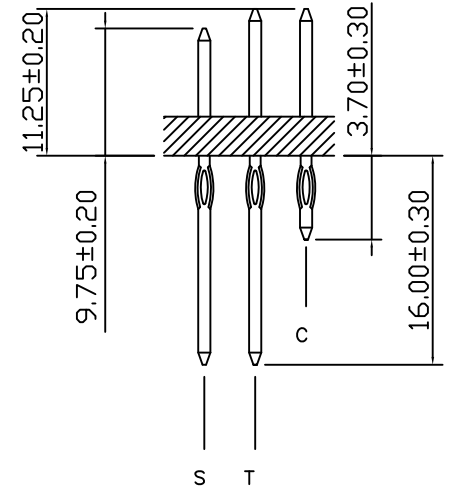


CONTACT LAYOUT



P.C. Board Layout
(Top View)

9111- 7 1 B 133 J C xx U
 Series 7 Row 1: Male B: Type B Housing Type J: J Option
 U: Tube Package
 10: 10 u"
 30: 30 u"
 C: Dip Tin
 Contact Gold
 G: Gold



Tolerances	Dwg. No.	9111D71127		Title:
x = ±0.5	Projection	⊕ ⊖		9111 Series 2.00 Hard Metric Connectors Male Type B-19
.x = ±0.25	Unit mm	Scale	1:1	
.xx = ±0.15	Drawn By	Zhu QL 08/15'12		

9111 Series
 2.00 Hard Metric
 Connectors Male
 Type B-19

OUPIN
 OUPIN ELECTRONIC(KUNSHAN) CO., LTD.
 P/N: 9111-71B133JCxxU
 SHEET 1/1 Ver.No. R1