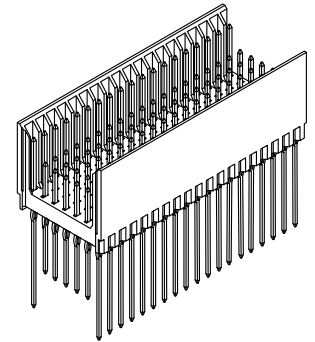
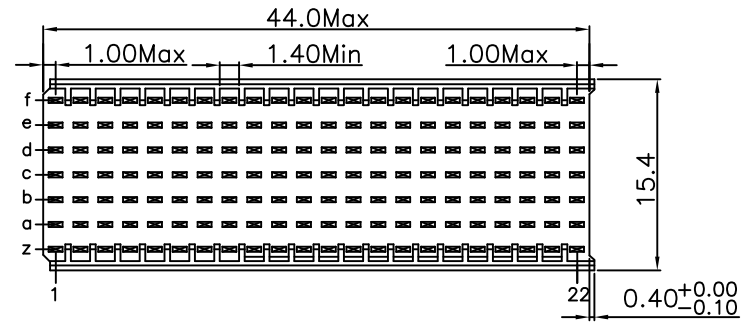


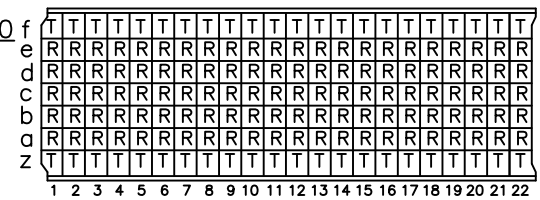
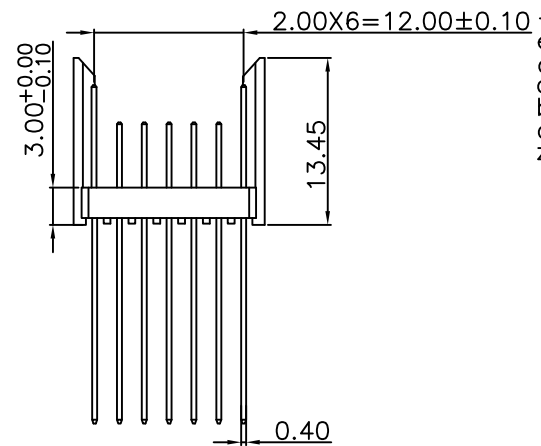
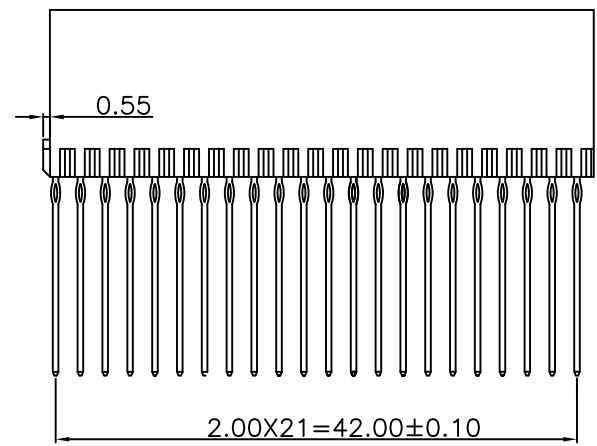
REV.	SPECIFICATION	ECN NO.	APPD.
R1			



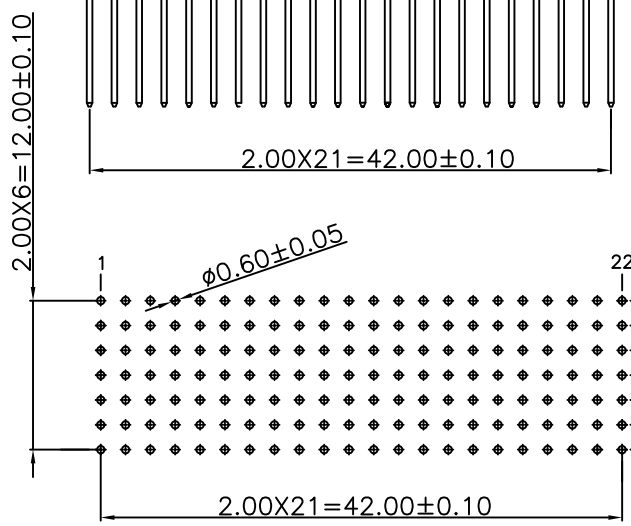
Material:
Housing: Thermoplastic Polyester Glass Filled UL94V-0
Contacts: Copper Alloy.

Electrical Characteristics:
Current Rating: 1 AMP.
Dielectric Withstanding Voltage: AC 750V For 1 minute.
Insulator Resistance: 10000MΩ min.at DC 500V.
Contact Resistance: 20mΩ max.at DC 100mA.
Operating Temperature: -55°C ~ +125°C .

***RoHS Compliant**



CONTACT LAYOUT

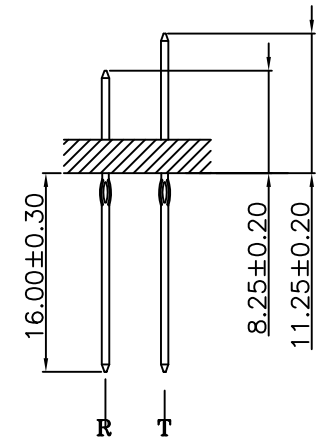


P.C. Board Layout
(Top View)

9111- 7 1 B 154 F C xx U

Series: 7 Row, 1: Male, B: Type B, Housing Type, F:F Option

U: Tube Package
10: 10 u"
30: 30 u"
C: Dip Tin
Contact Gold
G: Gold



Tolerances	Dwg. No.	9111D71036		Title:
x = ±0.5	Projection	⊕ ⊖		9111 Series 2.00 Hard Metric Connectors Male Type B-22
.x = ±0.25	Unit mm	Scale	1:1	
.xx = ±0.15	Drawn By	Zhu QL 08/15'12		

9111 Series
2.00 Hard Metric
Connectors Male
Type B-22

OUPIN			
OUPIN ELECTRONIC(KUNSHAN) CO., LTD.			
P/N: 9111-71B154FCxxU			
SHEET	1/1	Ver.No.	R1