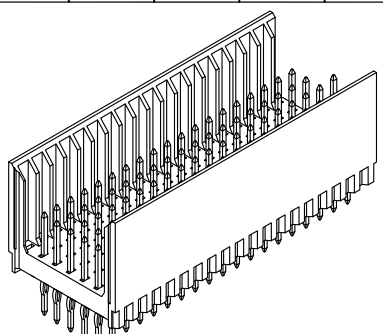
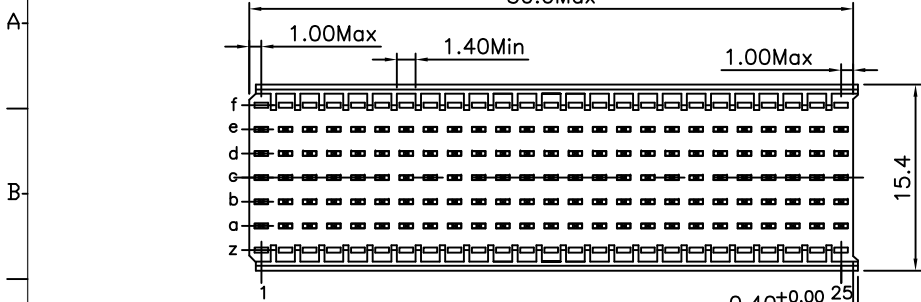


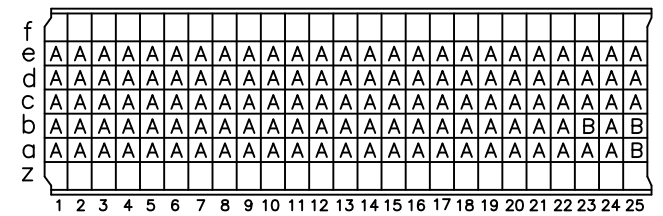
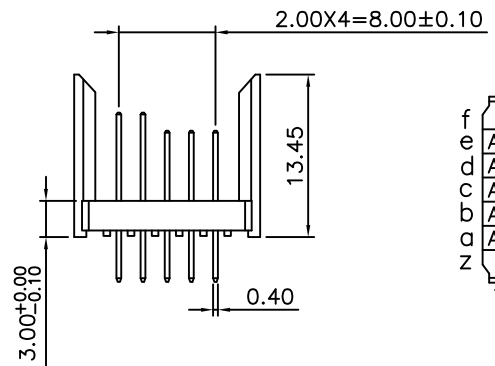
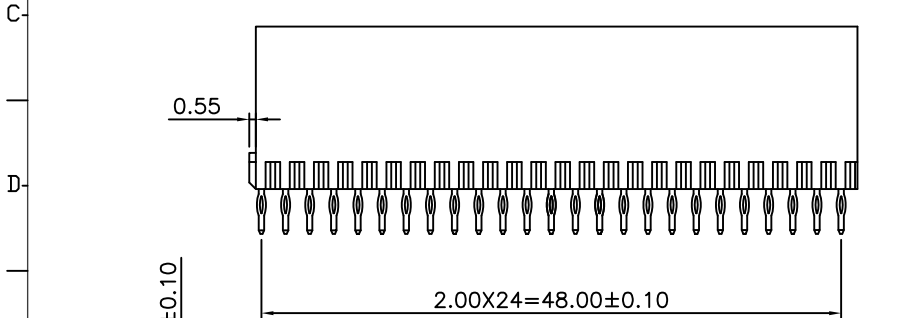
REV.	SPECIFICATION	ECN NO.	APPD.
R1			



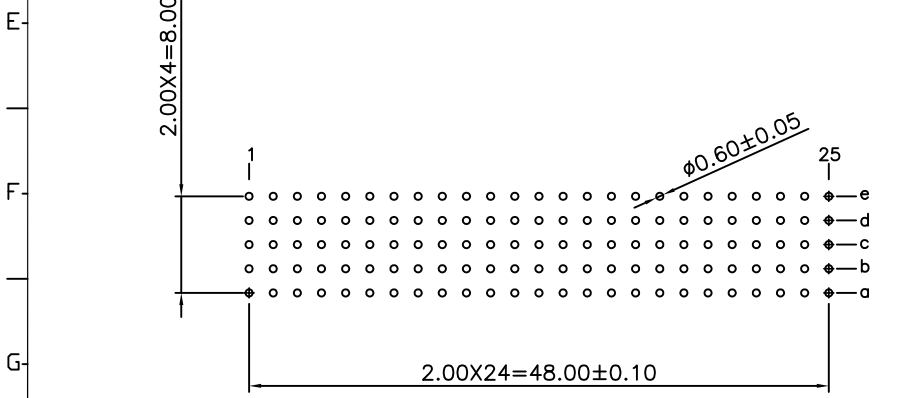
Material:
 Housing: Thermoplastic Polyester Glass Filled UL94V-0
 Contacts: Copper Alloy.

Electrical Characteristics:
 Current Rating: 1 AMP.
 Dielectric Withstanding Voltage: AC 750V For 1 minute.
 Insulator Resistance: 10000MΩ min.at DC 500V.
 Contact Resistance: 20mΩ max.at DC 100mA.
 Operating Temperature: -55°C ~ +125°C .

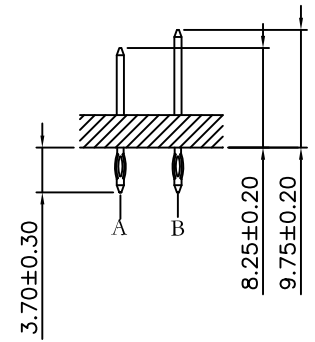
***RoHS Compliant**



CONTACT LAYOUT



9111- 7 1 B 175 I C xx U
 Series: 9111- 7 1 B 175 I C xx U
 7Row
 1: Male
 B: Type B
 Housing Type
 I: I Option
 U: Tube Package
 10: 10 u"
 30: 30 u"
 C: Dip Tin
 Contact Gold
 G: Gold



P.C. Board Layout
(Top View)

Tolerances	Dwg. No.	9111D71047	Title:	9111 Series 2.00 Hard Metric Connectors Male Type B-25
x = ±0.5	Projection			
.x = ±0.25	Unit	mm	Scale	1:1
.xx = ±0.15	Drawn By	Zhu QL 08/15'12		

OUPIN ELECTRONIC(KUNSHAN) CO., LTD.			
P/N: 9111-71B175ICxxU			
SHEET	1/1	Ver.No.	R1