

REV.	SPECIFICATION	ECN NO.	APPD.
R1			

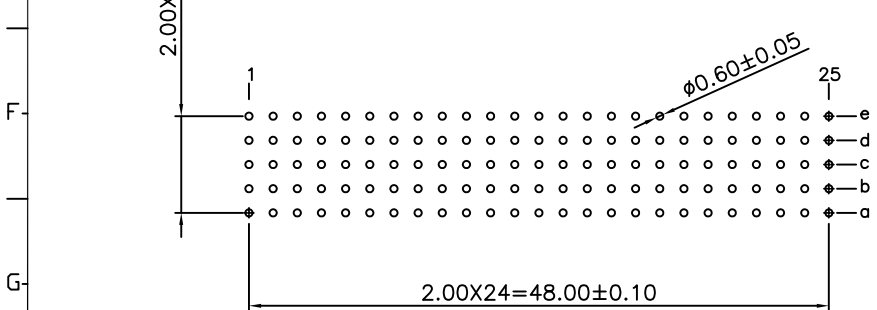
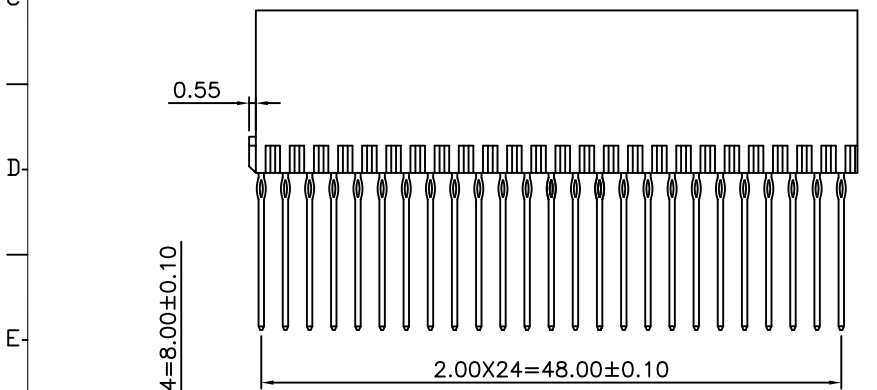
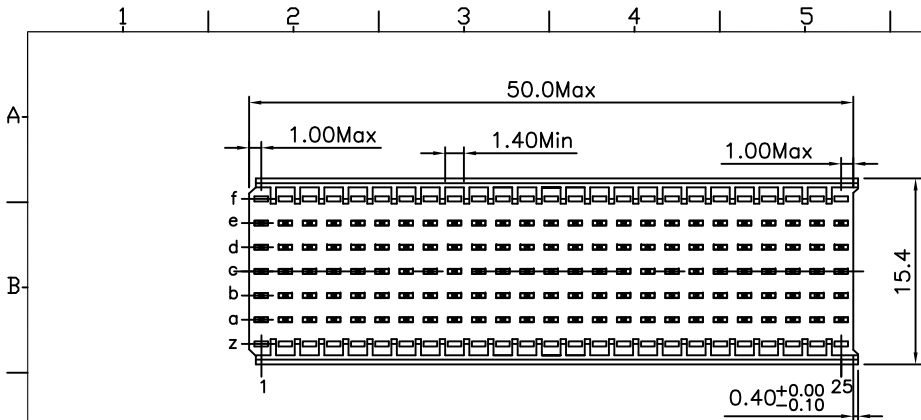
Material:

Housing: Thermoplastic Polyester Glass Filled UL94V-0
 Contacts: Copper Alloy.

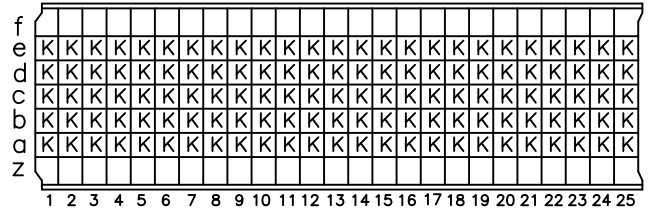
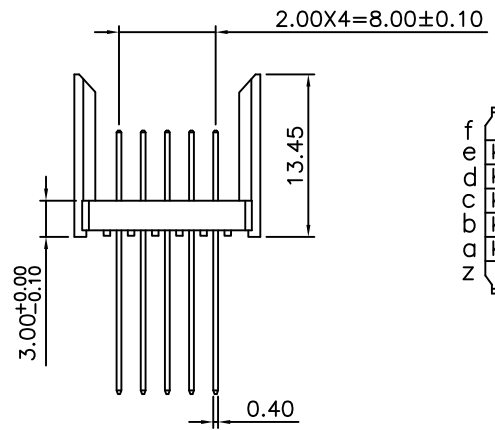
Electrical Characteristics:

Current Rating: 1 AMP.
 Dielectric Withstanding Voltage: AC 750V For 1 minute.
 Insulator Resistance: 10000MΩ min.at DC 500V.
 Contact Resistance: 20mΩ max.at DC 100mA.
 Operating Temperature: -55°C ~ +125°C.

***RoHS Compliant**

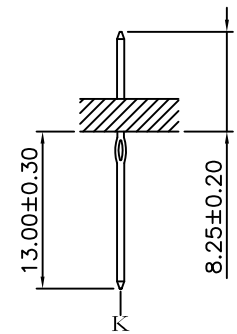


P.C. Board Layout
(Top View)



CONTACT LAYOUT

9111- 7 1 B 175 K C xx U
 Series: 9111-7-1-B-175-K-C-xx-U
 7: Row
 1: Male
 B: Type B
 Housing Type
 K: K Option
 U: Tube Package
 10: 10 u"
 30: 30 u"
 C: Dip Tin
 Contact Gold
 G: Gold



Tolerances	Dwg. No.	9111D71049	Title:
x = ±0.5	Projection		9111 Series
.x = ±0.25	Unit	mm	2.00 Hard Metric
.xx = ±0.15	Scale	1:1	Connectors Male
	Drawn By	Zhu QL 08/15'12	Type B-25

9111 Series
 2.00 Hard Metric
 Connectors Male
 Type B-25



OUPIN ELECTRONIC(KUNSHAN) CO., LTD.

P/N: 9111-71B175KCxxU

SHEET	1/1	Ver.No.	R1
-------	-----	---------	----