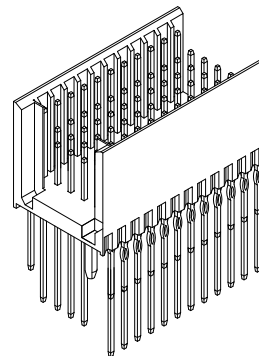
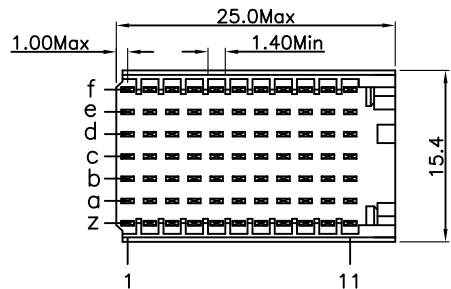


REV.	SPECIFICATION	ECN NO.	APPD.
R1			



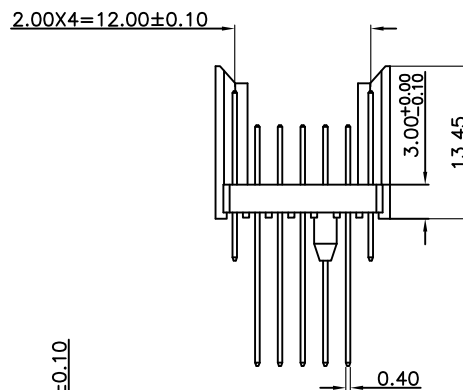
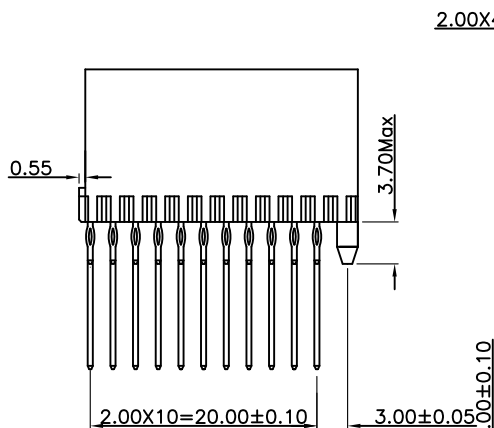
Material:

Housing: Thermoplastic Polyester Glass Filled UL94V-0
 Contacts: Copper Alloy.

Electrical Characteristics:

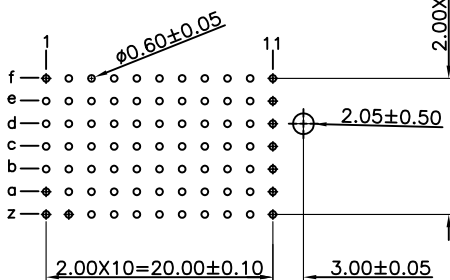
Current Rating: 1 AMP.
 Dielectric Withstanding Voltage: AC 750V For 1 minute.
 Insulator Resistance: 10000MΩ min.at DC 500V.
 Contact Resistance: 20mΩ max.at DC 100mA.
 Operating Temperature: -55°C ~ +125°C .

***RoHS Compliant**



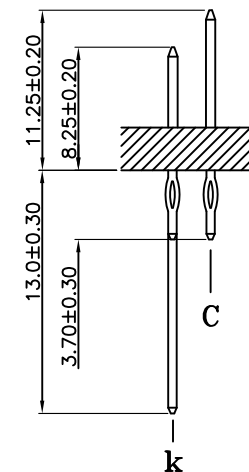
f	C	C	C	C	C	C	C	C	C	C	C
e	K	K	K	K	K	K	K	K	K	K	K
d	K	K	K	K	K	K	K	K	K	K	K
c	K	K	K	K	K	K	K	K	K	K	K
b	K	K	K	K	K	K	K	K	K	K	K
a	K	K	K	K	K	K	K	K	K	K	K
z	C	C	C	C	C	C	C	C	C	C	C
	1	2	3	4	5	6	7	8	9	10	11

CONTACT LAYOUT



P.C. Board Layout
(Top View)

- 9111- 7 1 C 77 F C xx U
- Series
- 7Row
- 1: Male
- C: Type C
- Housing Type
- F: F Option
- U: Tube Package
- 10: 10 u"
- 30: 30 u"
- C: Dip Tin
- Contact Gold
- G: Gold



Tolerances	Dwg. No.	9111D71077		Title:	
x = ±0.5	Projection			9111 Series 2.00 Haed Metric Connectors Male Type C	
.x = ±0.25	Unit	mm	Scale		1:1
.xx = ±0.15	Drawn By	Zhu QL 08/15'12			

OUPIN ELECTRONIC(KUNSHAN) CO., LTD.			
P/N: 9111-71C77FCxxU			
SHEET	1/1	Ver.No.	R1