

REV.	SPECIFICATION	ECN NO.	APPD.
R3		ECN220934	

**Material and Plating:**

**Housing:** LCP, UL94V-0, Black.  
**Power Contacts:** High Conductivity Copper.  
 30u" Au+Pd/Ni on Contact Area and 80u" Min Tin Plated on Solder Tail over Nickel 50u" Min.  
**Signal Contacts:** Brass  
 30u" Au+Pd/Ni on Contact Area and 80u" Min Tin Plated on Solder Tail over Nickel 50u" Min.

**Electrical Characteristics:**

**Current Rating:** Signal Pin: 2.5 A.  
 Power Pin: 90 A Single Port (UL)(2oz x 6).  
**Dielectric Withstanding Voltage:** Signal Pin DC 1000V For 1 minute.  
 Power Pin DC 2500V For 1 minute.  
**Insulator Resistance:** Signal Pin 500MΩ max.  
 Power Pin 1000MΩ max.  
**Contact Resistance:** Signal Pin 20mΩ max at DC 20mA.  
 Power Pin 10mΩ max at DC 20mA.  
**Operating Temperature:** -40°C~+125°C.

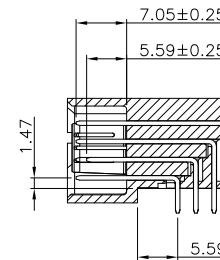
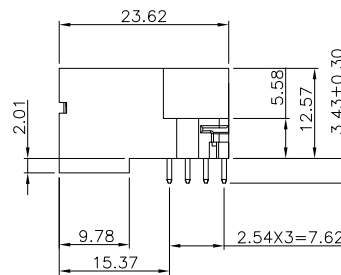
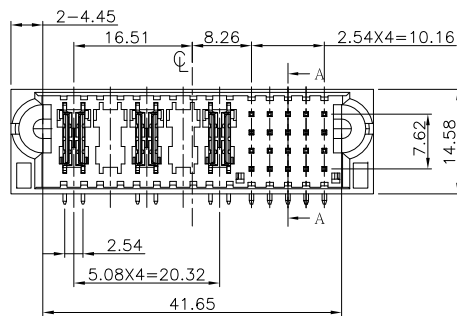
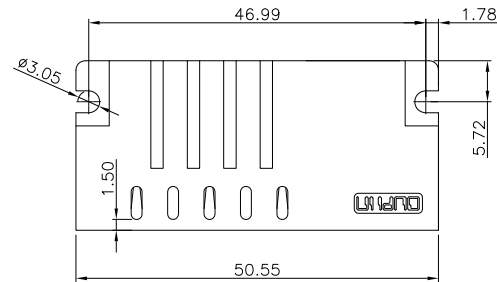
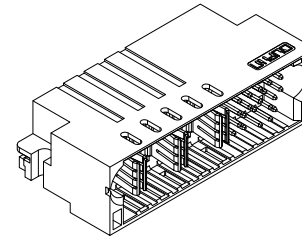
**\*RoHS Compliant**

**Note 1:**

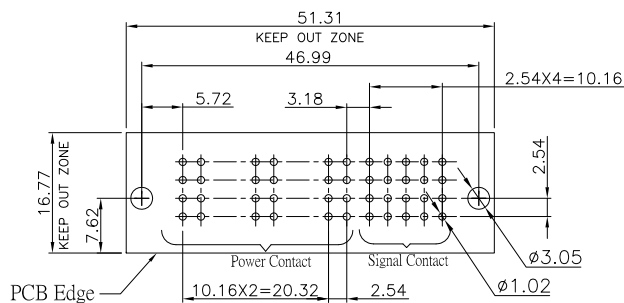
H: High density Power---PCB Mount 5.08mm Pitch.  
 P: DC Power---PCB Mount 6.35mm Pitch.  
 A: AC Power---PCB Mount 7.62mm Pitch.  
 S: Signal---PCB Mount 2.54mm Pitch.

**Note 2:**

P2, P4 Without Power Contact  
 a1, a2 a5,b2,b3,b5,c4,d4 Contact Length is 5.59mm,  
 Other Contact Length is 7.05mm.



Section:A-A  
Scale:1:1



P.C.Board Layout  
(Tolerance:±0.05)

9303- 1 H05 S20 CB 30 D A -A015  
 Series  
 1: Male Right-angle  
 Blank: Without Contact  
 Power Contact: Hxx, Pxx, Axx  
 No. of position  
 Blank: Without Contact  
 Signal Contact: S xx  
 No. of position  
 H05: 5.08mm Pitch  
 S20: 20 Pin  
 CB: Contact Au+Pd/Ni, Dip Tin Plated  
 30: 30 u"  
 D: Dip Type  
 A: Tray Package  
 -A015: Internal Code

ROWS	POWER					SIGNAL				
	P1	P2	P3	P4	P5	1	2	3	4	5
D						F	F	F	F	F
C						F	F	F	F	F
B	MS			MS		F	F	F	F	F
A						E	E	E	E	E

SIGNAL PIN CONTACT LENGTH 4.32mm	H
SIGNAL PIN CONTACT LENGTH 5.59mm	E
SIGNAL PIN CONTACT LENGTH 7.05mm	F
SIGNAL PIN CONTACT LENGTH 6.86mm	G
HOT PLUG POEWR CONTACT,STD	MS

Tolerances	Dwg No.	9303-D0000-078		Title:	
x. = ±0.50	Projection			9303 Series Male Right-angle Dip Type	
.x = ±0.25	Unit	mm	Scale		1:1
.xx = ±0.15	Drawn By	XS 11/03'22			

<b>OUPIN</b>			
OUPIN ELECTRONIC(KUNSHAN) CO., LTD.			
P/N: 9303-1H05S20CB30DA-A015			
SHEET	1/1	Ver.No.	R3