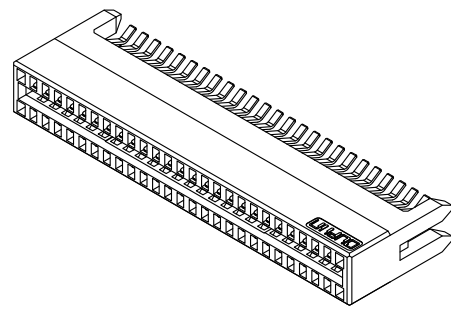


REV.	SPECIFICATION	ECN NO.	APPD.
R2		ECN201212	



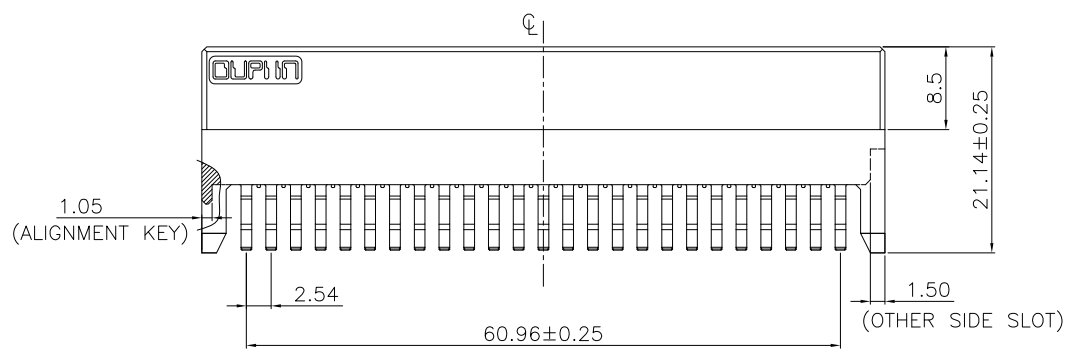
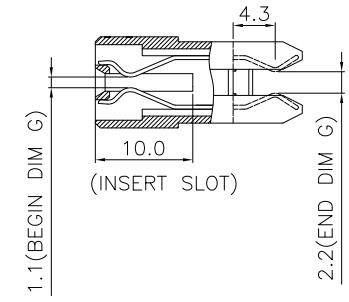
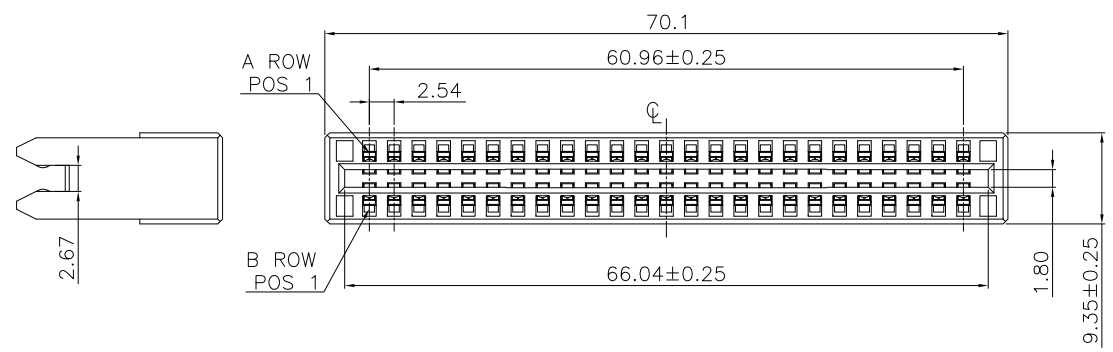
**Material and Plating:**

Housing: LCP, UL94V-0, BLACK.  
 Power Contacts: High Conductivity Copper .  
 30u"Au+Pd/Ni on Contact Area and 80u" Min Tin Plated on Solder Tail over Nickel 50u" Min .

**Electrical Characteristics:**


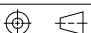
Current Rating: 12.5 A(UL).  
 Dielectric Withstanding Voltage: DC 1000V For 1 minute.  
 Insulator Resistance: 5000MΩ min. at DC 500V.  
 Contact Resistance: 2.5mΩ max.  
 Operating Temperature: -5°C ~+105°C .

**\*RoHS Compliant**

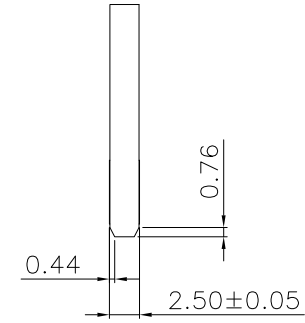
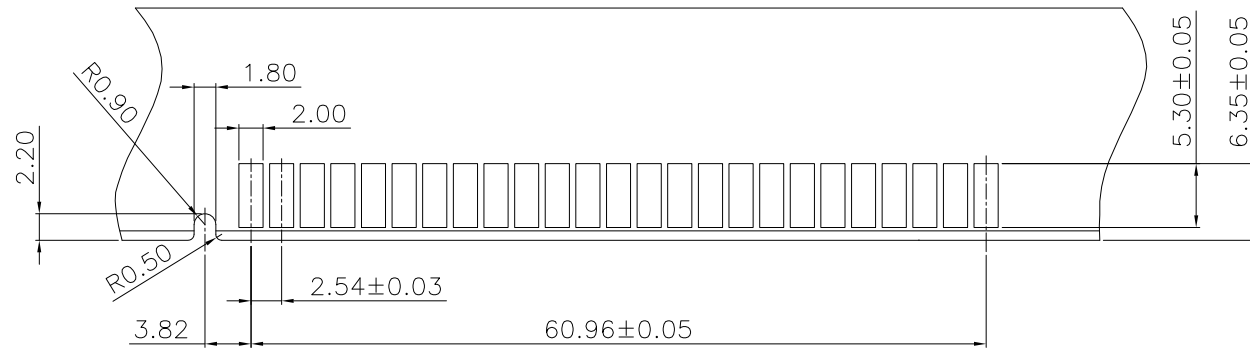


9393-E 2 P50 N 1 4 A 1 CB30 K A  
 Series ————  
 2:Female Straight ————  
 No. of Positions ————  
 N:W/O Post  
 P:With Post  
 1:Begin DIM G 1.10mm  
 1:End DIM G 1.30mm  
 2:End DIM G 1.40mm  
 4:End DIM G 2.20mm  
 A:Power pitch 2.54  
 B:Power pitch 5.08

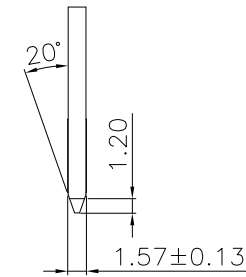
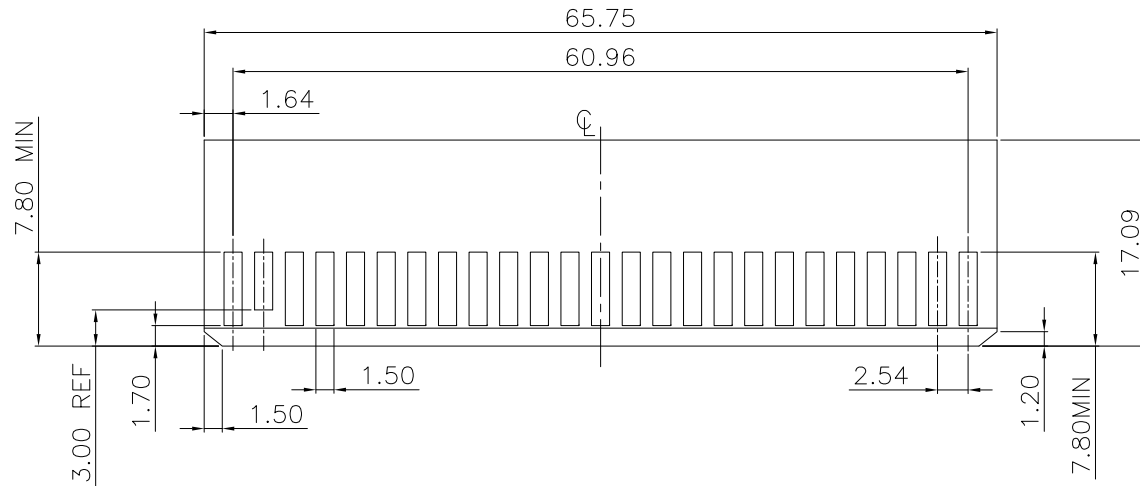
————— A:Tray Package  
 ————— K:Straddle Type  
 ————— CB30: ContactAu+Pd/Ni,  
 Dip Tin 30u"  
 1:The width of one side rib for 1.05mm,  
 the other side slot width for 1.50mm  
 and the insert slot depth for 10.0mm  
 Blank:The width of one side rib for 1.50mm  
 the other side slot width for 1.76mm  
 and the insert slot depth for 7.5mm

Tolerances	Dwg. No.	9393-D0000-056	Title:		 <b>OUPIIN ELECTRONIC(KUNSHAN) CO., LTD.</b> P/N: 9393-E2P50N14A1CB30KA SHEET 1/2 Ver.No. R2
x=±0.50	Projection		9393-E Series POWER EDGE CONNECTOR		
.x=±0.25	Unit	mm	Scale	1:1	
.xx=±0.15	Drawn By	GYJ 12/07'20			

REV.	SPECIFICATION	ECN NO.	APPD.
R2		ECN201212	



Recommend P.C.B Layout, Tolerance:±0.05



RECOMMEND MATING BOARD FOOTPRINT TOLERANCE,±0.05

Tolerances	Dwg. No.	9393-D0000-056	
x=±0.50	Projection	⊕ ⊚	
.x=±0.25	Unit	mm	Scale 1:1
.xx=±0.15	Drawn By	GYJ 12/07'20	

Title: 9393-E Series  
POWER EDGE  
CONNECTOR

<b>OUPIN</b>			
OUPIN ELECTRONIC(KUNSHAN) CO., LTD.			
P/N: 9393-E2P50N14A1CB30KA			
SHEET	2/2	Ver.No.	R2