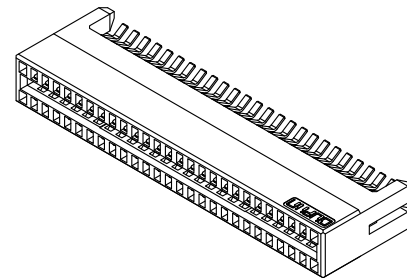


REV.	SPECIFICATION	ECN NO.	APPD.
R1		ECN200304	



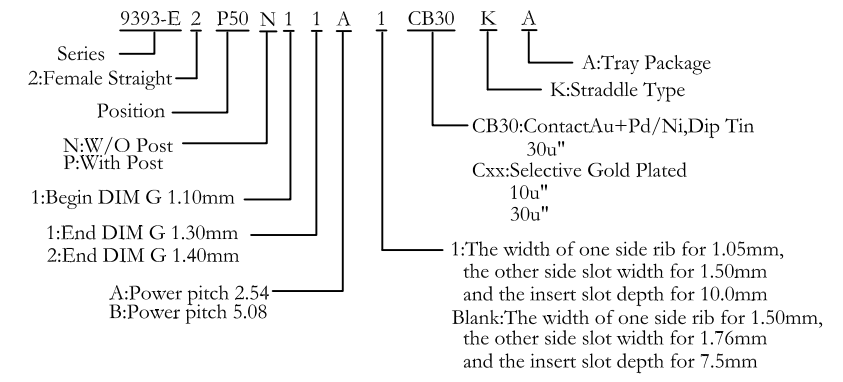
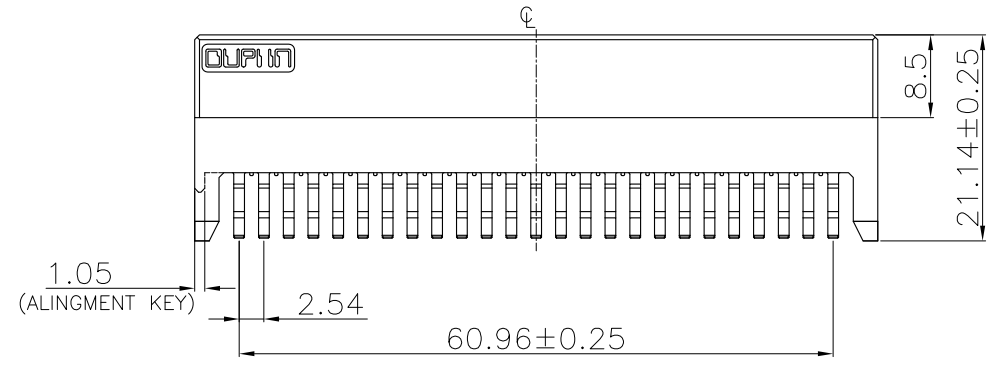
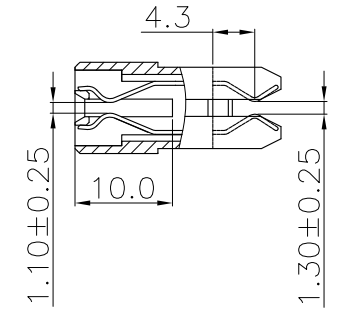
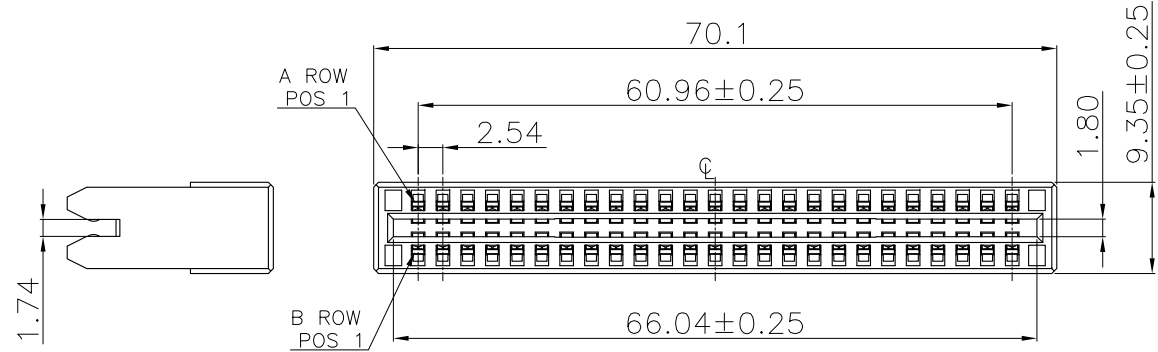
**Material and Plating:**

Housing: LCP, UL94V-0, BLACK.  
 Power Contacts: High Conductivity Copper .  
 30u" Au+Pd/Ni on Contact Area and 80u" Min Tin Plated on Solder Tail over Nickel 50u" Min .

**Electrical Characteristics:**

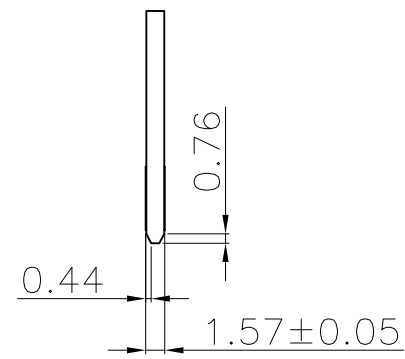
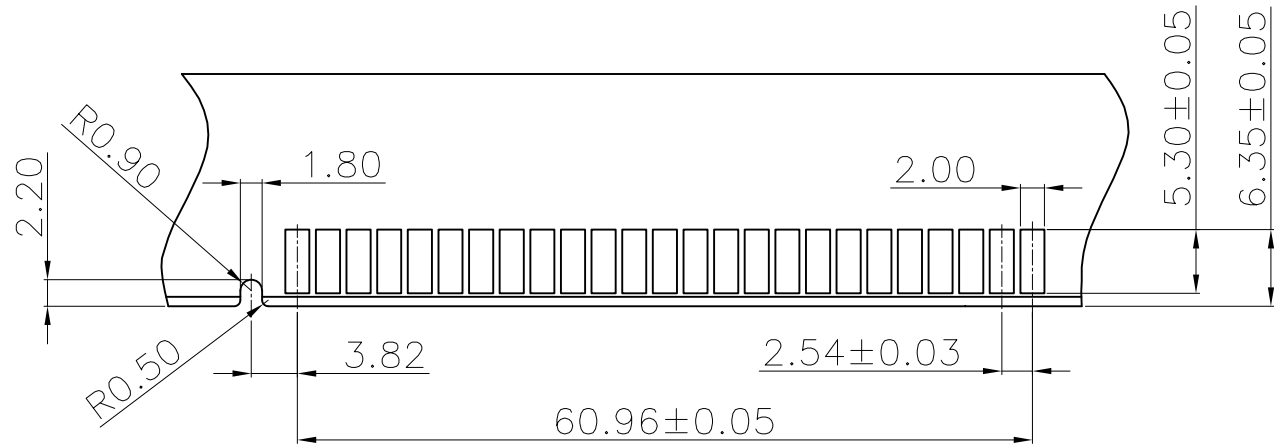
Current Rating: 12.5 A(UL).  
 Dielectric Withstanding Voltage: DC 1000V For 1 minute.  
 Insulator Resistance: 5000MΩ min. at DC 500V.  
 Contact Resistance: 2.5mΩ max.  
 Operating Temperature: -5°C ~+105°C .

**\*RoHS Compliant**

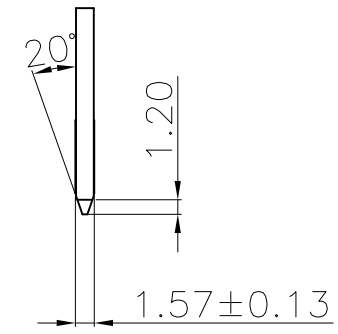
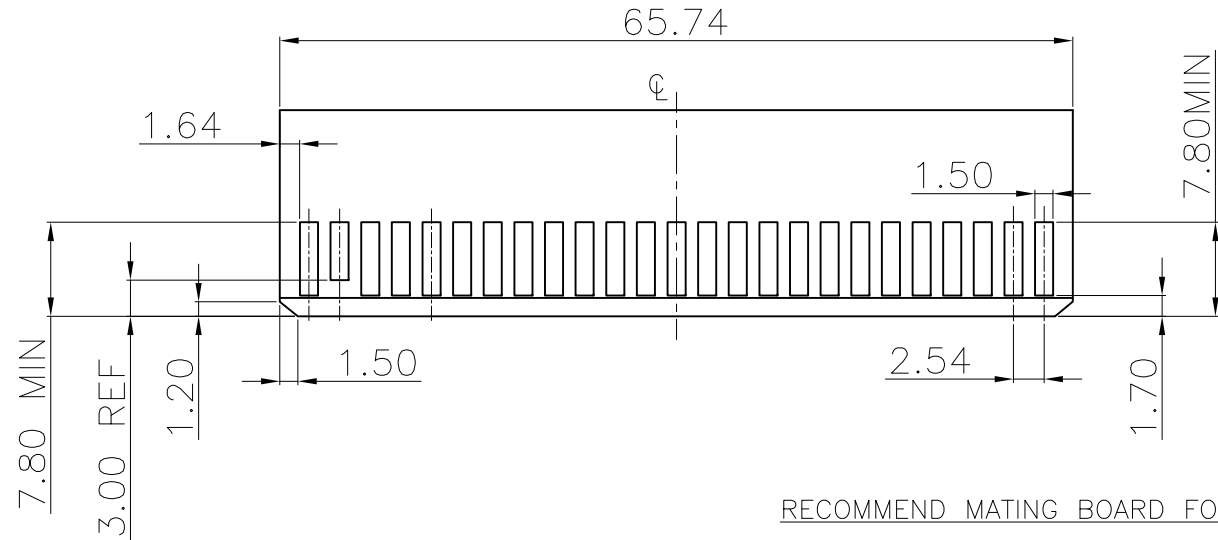


<b>Tolerances</b> x=±0.50 .x=±0.25 .xx=±0.15	<b>DWG. No.</b> 9393-D0000-051		<b>Title:</b> 9393 Series POWER EDGE CONNECTOR		 <b>OUPIIN ELECTRONIC(KUNSHAN) CO., LTD.</b> P/N: 9393-E2P50N11A1CB30KA	
	<b>Projection</b>		<b>Scale</b> 1:1			<b>SHEET</b> 1/2 <b>Ver.No.</b> <b>R1</b>
	<b>Unit</b> mm <b>Drawn By</b> GYJ 03/07/20'	<b>Scale</b> 1:1				


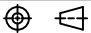
REV.	SPECIFICATION	ECN NO.	APPD.
R1		ECN200304	



Recommend P.C.B Layout, Tolerance:±0.05



RECOMMEND MATING BOARD FOOTPRINT TOLERANCE,±0.05

<b>Tolerances</b> x=±0.50 .x=±0.25 .xx=±0.15	<b>Dwg. No.</b>	9393-D0000-051		<b>Title:</b> 9393 Series POWER EDGE CONNECTOR	 <b>OUPIIN ELECTRONIC(KUNSHAN) CO., LTD.</b> P/N: 9393-E2P50N11A1CB30KA	
	<b>Projection</b>					<b>SHEET</b> 2/2 <b>Ver.No.</b> R1
	<b>Unit</b>	mm	<b>Scale</b>			
<b>Drawn By</b>	GYJ 03/04/20'					