

REV.	SPECIFICATION	ECN NO.	APPD.
R2		ECN220863	

Material and Plating:

Housing: LCP , UL94V-0 , BLACK.

Power Contacts: High Conductivity Copper .
30u"Au+Pd/Ni on Contact Area and 80u" Min Matte Tin Plated on Solder Tail over Nickel 50u" Min .

Electrical Characteristics:

Current Rating: 12.5 A(UL).

Dielectric Withstanding Voltage:DC 1000V For 1 minute.

Insulator Resistance: 5000MΩ min. at DC 500V.

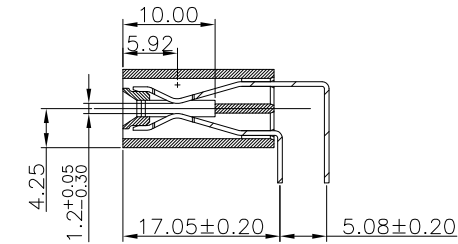
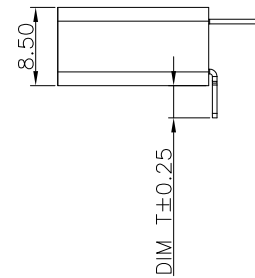
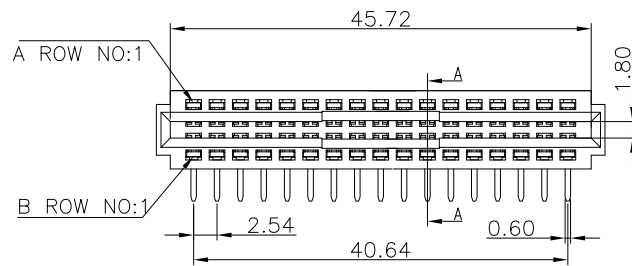
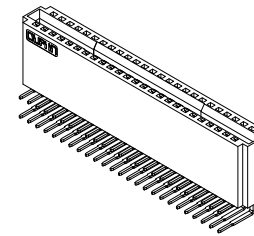
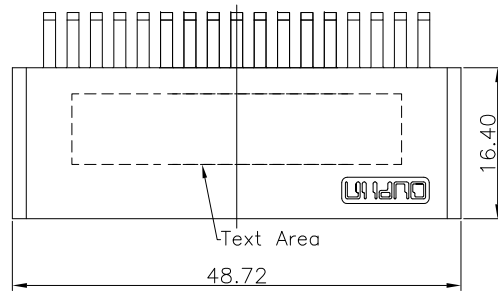
Contact Resistance: 10mΩ max. at DC 100mA.

Operating Temperature: -5°C ~+125°C .

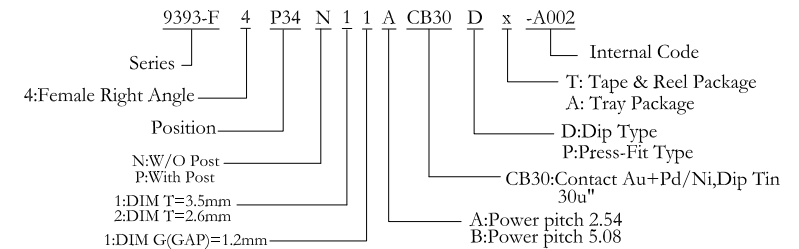
***RoHS Compliant**


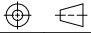
Note:

1.IR Reflow & PIP Profile:260°C±5°C,10s&217°C,60~150s

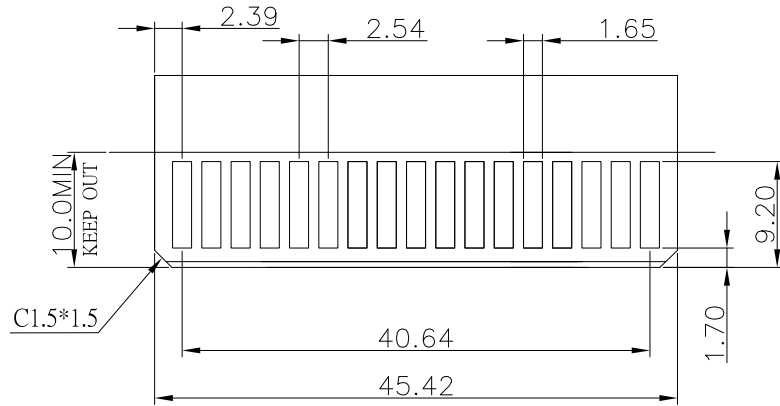


SECTION A-A

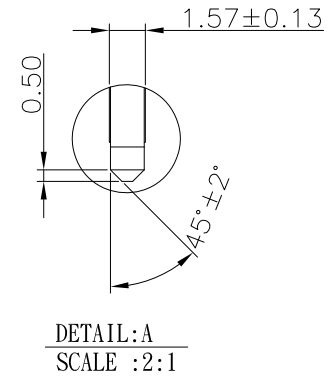
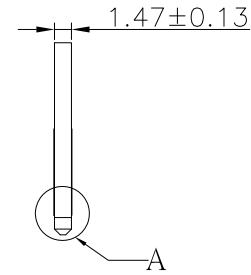


Tolerances	Dwg. No.	9393-D0000-067	Title:		 OUPIIN ELECTRONIC(KUNSHAN) CO., LTD. P/N: 9393-F4P34N11ACB30Dx-A002				
x = ±0.5	Projection		9393-F Series						
.x = ±0.25	Unit	mm	Scale	1:1	SHEET		1/2	Ver. No.	R2
.xx = ±0.15	Drawn By	GYJ 08/02'22	Power Edge Connector						

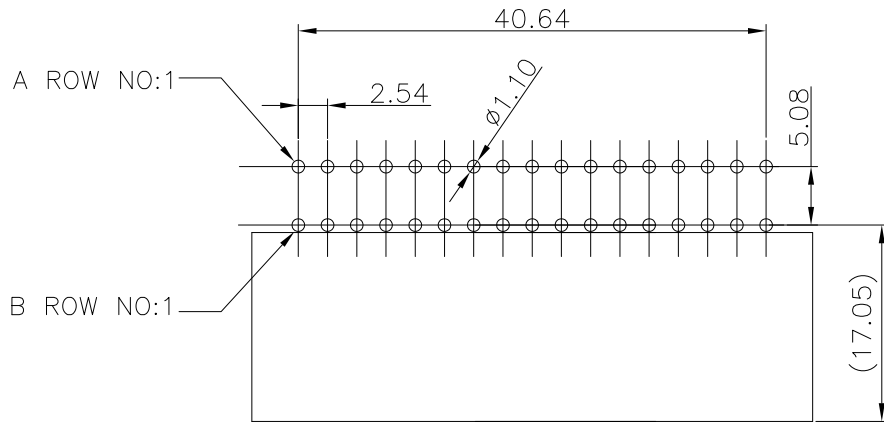
REV.	SPECIFICATION	ECN NO.	APPD.
R2		ECN220863	



RECOMMENDED MATING BOARD FOOTPRINT
(Tolerance:±0.05)



DETAIL:A
SCALE :2:1



P.C. Board Layout
(Top View)
(Tolerance:±0.05)

Tolerances	Dwg. No.	9393-D0000-067		Title:
x = ±0.5	Projection			9393-F Series Power Edge Connector
.x = ±0.25	Unit	mm	Scale 1:1	
.xx = ±0.15	Drawn By	GYJ 08/02'22		

OUPIIN ELECTRONIC(KUNSHAN) CO., LTD.			
P/N:9393-F4P34N11ACB30Dx-A002			
SHEET	2/2	Ver. No.	R2

OUPIIN ELECTRONIC(KUNSHAN) CO., LTD.			
P/N:9393-F4P34N11ACB30Dx-A002			
SHEET	2/2	Ver. No.	R2