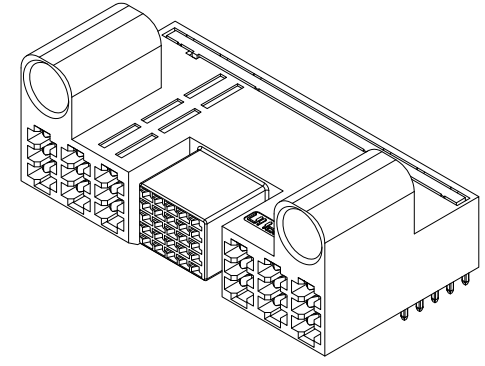
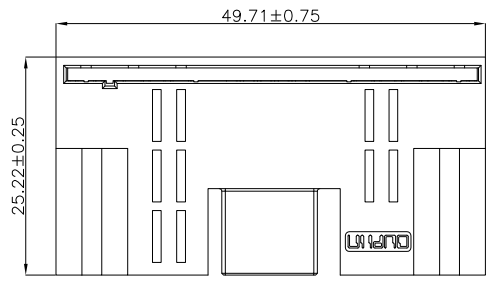


REV.	SPECIFICATION	ECN NO.	APPD.
R1		ECN200561	



Material and Plating:

Housing: LCP, UL94V-0 , BLACK.
 Power Contacts: High Conductivity Copper.
 30u"Au+Pd/Ni on Contact Area and 80u" Min Tin Plated on Solder Tail over nickel 50u" Min .
 Signal Contact: Phosphor Bronze.
 30u"Au+Pd/Ni on Contact Area and 80u" Min Tin Plated on Solder Tail over nickel 50u" Min.

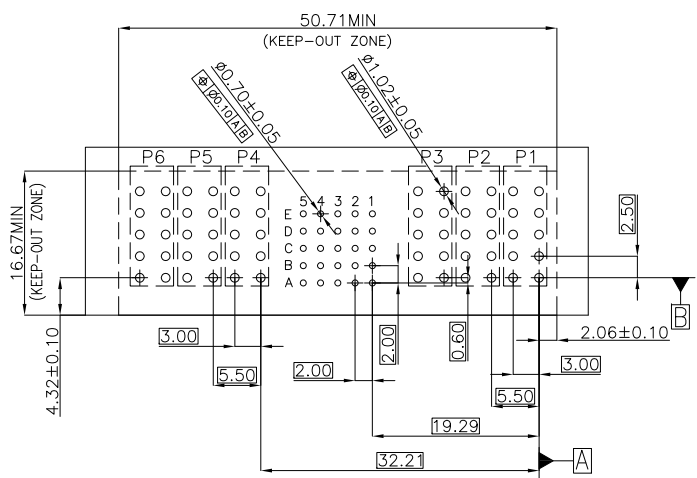
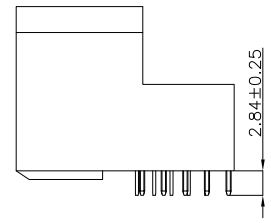
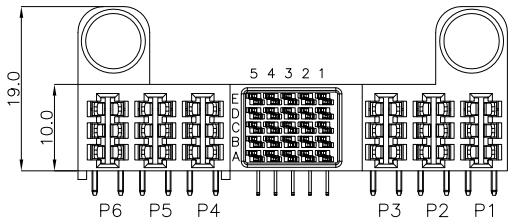
Electrical Characteristics:

Current Rating: Signal Pin 2.5 AMP.
 Power Pin 60 AMP.
 Dielectric Withstanding Voltage: DC 1500V For 1 minute.
 Insulator Resistance: 5000MΩ min. at DC 500V.
 Contact Resistance: Signal Pin 30mΩ max.
 Power Pin 0.3mΩ max.
 Operating Temperature: -40°C ~+105°C .

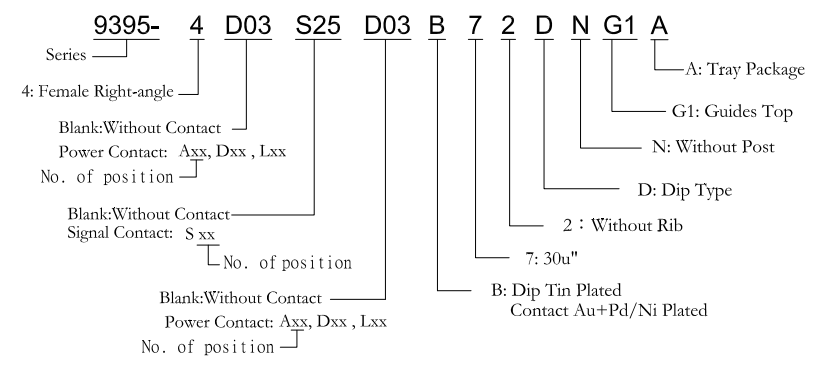
***RoHS Compliant**

Notes :

- L: Low Power---PCB Mount 3.0mm Pitch
- D: DC Power---PCB Mount 5.5mm Pitch
- A: AC Power---PCB Mount 7.5mm Pitch



P.C.Board Layout
(Tolerance:±0.05)



Tolerances	Dwg. No.	9395-D0000-033	Title: 9395 Series		OUPIN OUPIN ELECTRONIC(KUNSHAN) CO., LTD.			
x = ±0.5	Projection		Max P60					
.x = ±0.25	Unit	mm	Scale	1:1	P/N: 9395-4D03S25D03B72DNG1A			
.xx = ±0.15	Drawn By	WP 03/23'19	10mm Low Profile, 60Amp Receptable, Right Angle		SHEET	1/1	Ver. No.	R1