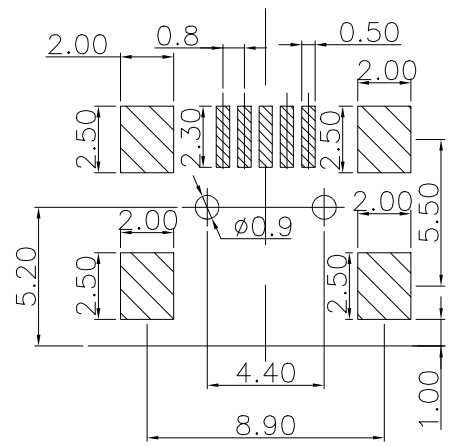
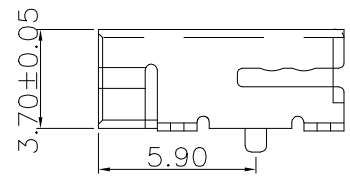
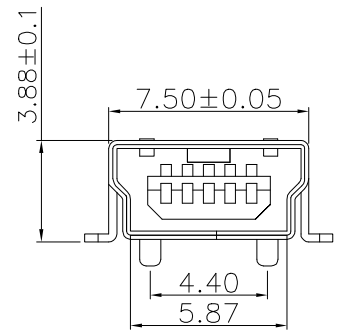
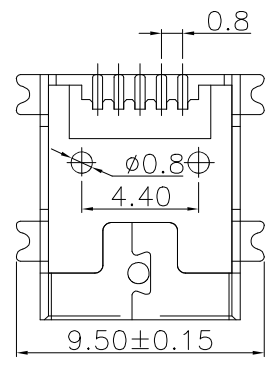
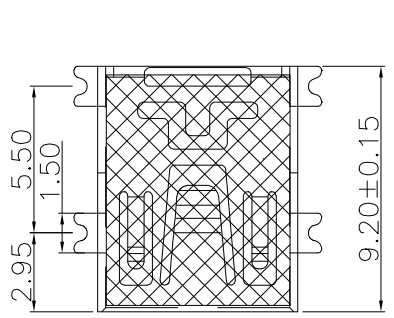


REV.	SPECIFICATION	ECN NO.	APPD.



P.C.Board Layout

Material:
Housing: LCP, UL94V-0.
Contacts: Phosphor Bronze, Gold Plated on Contact Area and Tin Plated on Solder tail over Nickel 30~50u".
Shell: Copper Alloy, Nickel Plated.
Electrical Characteristics:
Current Rating: 1 AMP
Dielectric Withstanding Voltage: AC 300V.
Insulation Resistance: 100MΩ min.
Contact Resistance: 50mΩ max.
Operating Temperature: -25°C~+85°C.
***RoHS Compliant**

8969A- B 05 C 00 D B x -S

Series ———
Type B ———
Position ———
C: Selective Gold Plated ———
00: Gold Flash ———
30:30u" ———

S: Mylar
Blank: W/O Mylar
T: Tape & Reel Package
U: Tube Package
B: Black
D: SMD Type

Tolerances .x = ±0.30 .xx = ±0.20 .xxx = ±0.10	Dwg. No.	8969D02026		Title: 8969A Series Mini USB B SMD Type Female		
	Projection					
	Unit	mm	Scale			1:N
	Drawn By	Martin 01/11'24				①676
					OUPIIN ELECTRONIC(KUNSHAN) CO., LTD. P/N: 8969A-B05C00DBx-S	
					SHEET 1/1 Ver.No. A3	