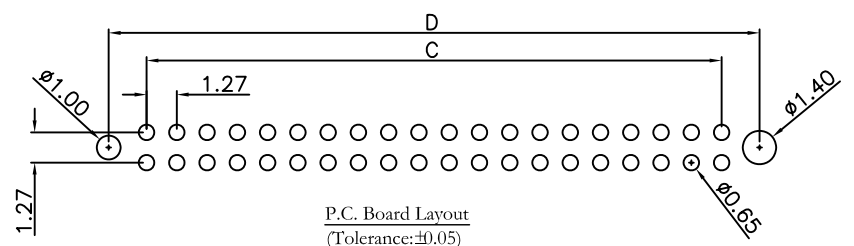
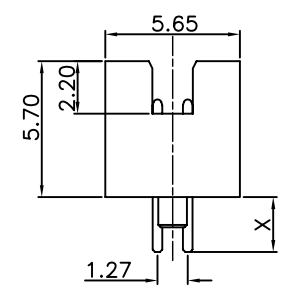
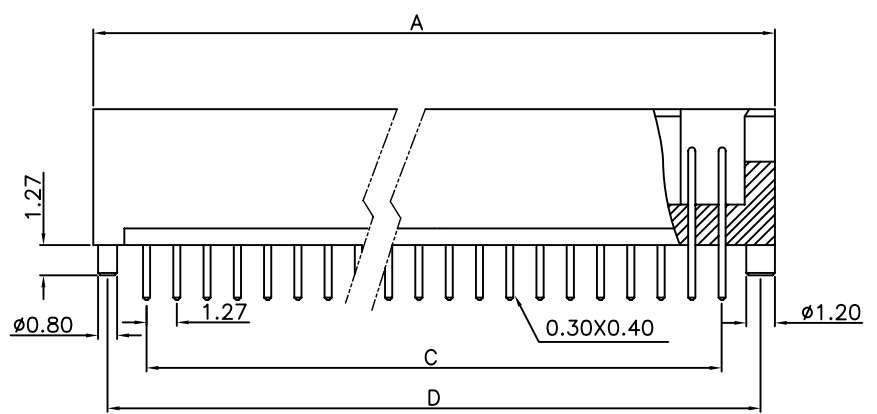
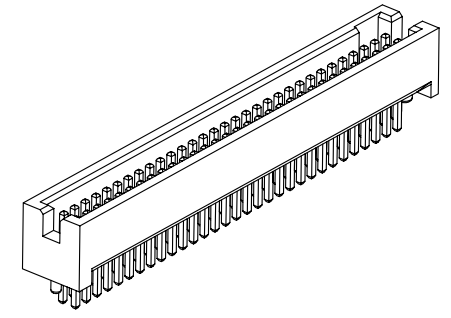
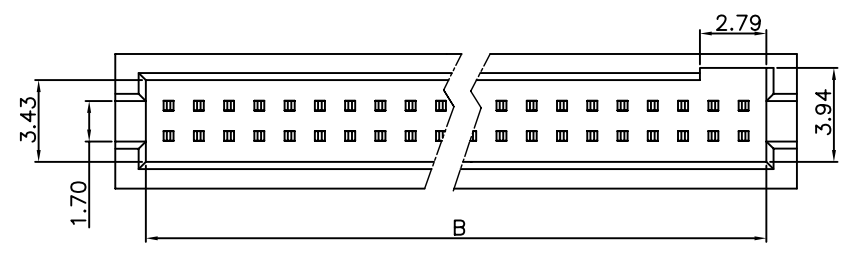


REV.	SPECIFICATION	ECN NO.	APPD.
R1		ECN081017	

**Materials**  
Housing: High Temperature Plastic UL94V-0.  
withstands IR and VPR soldering methods.  
Contact: Brass.

**Electrical Characteristics:**  
Current Rating: 1 AMP.  
Dielectric Withstanding: AC 500V For 1 minute.  
Insulation Resistance: 1000MΩ min. at DC 500V.  
Contact Resistance: 20mΩ max.at DC 100mA.  
Operating Temperature: -65°C ~ +125°C  
**\*RoHS Compliant**



Series 2216-  
No. of Pin Count xx  
C: Selective Gold Plated  
G: Gold Plated  
00: G/F  
10: 10μ"  
15: 15μ"  
30: 30μ"  
S: Straight  
P: With Post  
T: Tape & Reel Package  
U: Tube Package  
1: 3.05mm  
2: 1.91mm  
3: 2.30mm

X	1	2	3
Length	3.05	1.91	2.30
Position	10 Thru 100		
Dimension	10 Thru 100		
A	1.27 X No. of Positions /2+3.18		
B	1.27 X No. of Positions /2+0.64		
C	1.27 X No. of Positions /2-1.27		
D	1.27 X No. of Positions /2+1.91		

<b>Tolerances</b>	<b>Drawn No.</b>	2216D01005	<b>Title:</b>	2216 Series Box Header		
x = ±0.5	<b>Projection</b>		1.27mmX1.27mm(0.050"X0.050")			
.x = ±0.25	<b>Unit</b>	mm			Scale	1:1
.xx = ±0.15	<b>Drawn By</b>	FHY12/13'08				

<b>OUPIN</b>			
OUPIN ELECTRONIC(KUNSHAN) CO., LTD.			
P/N: 2216-xxCxSPxx			
<b>SHEET</b>	1/1	<b>Ver.No.</b>	R1