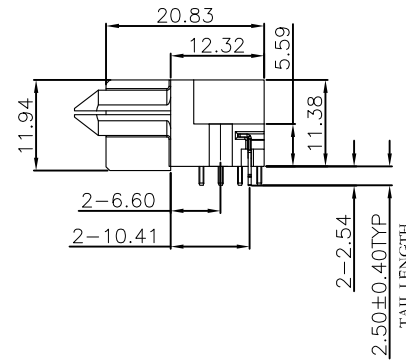
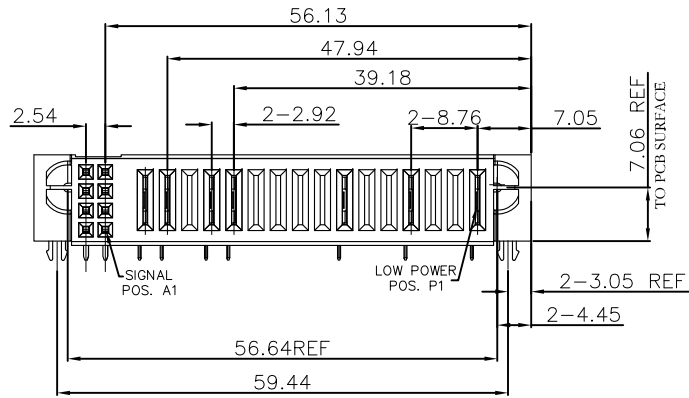
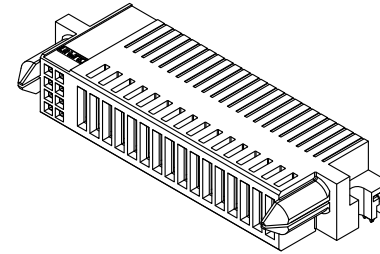
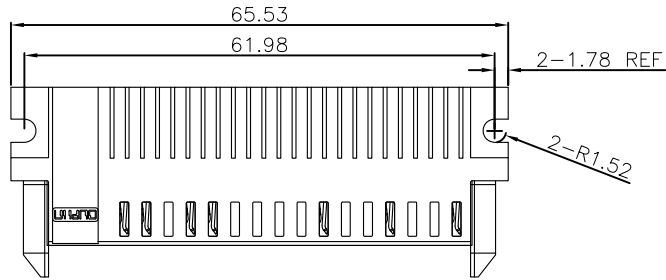


REV.	SPECIFICATION	ECN NO.	APPD.
R1		ECN210817	



**Material and Plating:**

Housing: LCP, UL94V-0, Black.

Power Contacts: High Conductivity Copper.

30u" Au+Pd/Ni on Contact Area and 80u" Min Tin Plated on Solder Tail over nickel 50u" Min.

Signal Contacts: Phosphor Bronze.

30u" Au+Pd/Ni on Contact Area and 80u" Min Tin Plated on Solder Tail over nickel 50u" Min.

Lock: Phosphor Bronze.

**Electrical Characteristics:**

Current Rating: Signal Pin: 2.5 A.

Power Pin: 30A(Single Contact).

Dielectric Withstanding Voltage:

Signal Pin DC 1000V For 1 minute.

Power Pin DC 1000V For 1 minute.

Insulator Resistance: Signal Pin 500MΩ max.

Power Pin 1000MΩ max.

Contact Resistance: Signal Pin 20mΩ max.

Power Pin 1.5mΩ max.

Operating Temperature: -40°C ~+125°C.

**\*RoHS Compliant**

Notes 1:

H: High density Power--PCB Mount 5.08mm Pitch

P: DC Power--PCB Mount 6.35mm Pitch

A: AC Power--PCB Mount 7.62mm Pitch

S: Signal--PCB Mount 2.54mm Pitch

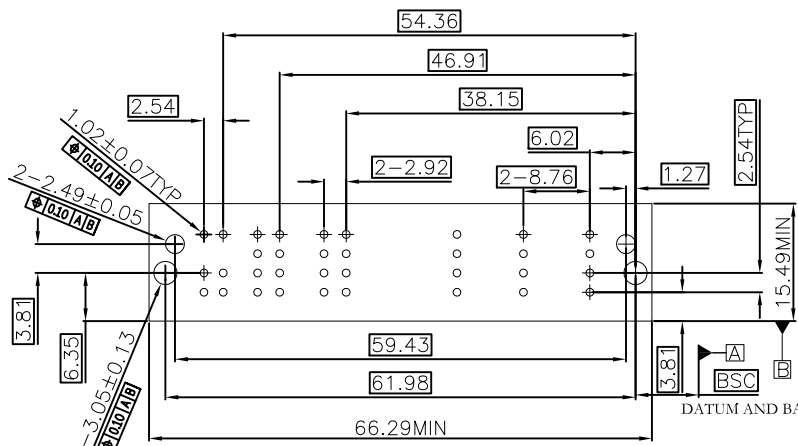
L: Low Power--PCB Mount 2.92mm Pitch

Notes 2:

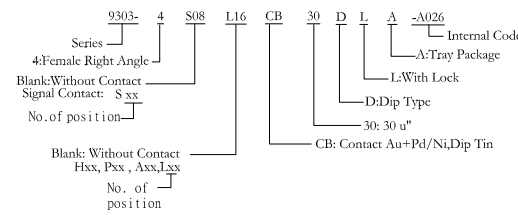
P2, P3, P5, P6, P8, P9, P10, P11, P14 Without Contact.

C1, C2 Without Contact.

Contact Length is 2.50mm, Lock length is 2.54mm.



P.C.Board Layout  
(Tolerance:±0.05)



DATUM AND BASIC DIMENSIONS ARE ESTABLISHED BY CUSTOMER

ROWS	SIGNAL		POWER															
	2	1	P16	P15	P14	P13	P12	P11	P10	P9	P8	P7	P6	P5	P4	P3	P2	P1
D	MM	XX	LR	LR	X	LR	LR	X	X	X	LR	X	X	LR	X	X	LR	
C	MM	XX	LR	LR	X	LR	LR	X	X	X	LR	X	X	LR	X	X	LR	
B	MM	XX	LR	LR	X	LR	LR	X	X	X	LR	X	X	LR	X	X	LR	
A	MM	XX	LR	LR	X	LR	LR	X	X	X	LR	X	X	LR	X	X	LR	

POWER CONTACT STD	LR
SIGNAL CONTACT 2.50 SOLDER TAIL, PD/Ni	M

Tolerances	Dwg. No.	9303-D0000-104	Title:	9303 Series
x = ±0.5	Projection		Female Right-angle Dip Type	
.x = ±0.25	Unit	mm	Scale	1:1
.xx = ±0.15	Drawn By	XS 08/12'21		

<b>OUPIN</b>			
OUPIN ELECTRONIC(KUNSHAN) CO., LTD.			
P/N: 9303-4S08L16CB30DLA-A026			
SHEET	1/1	Ver. No.	R1