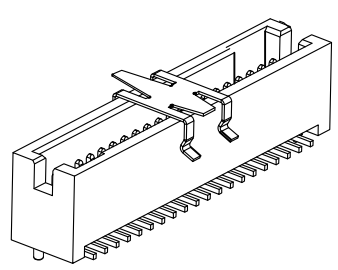
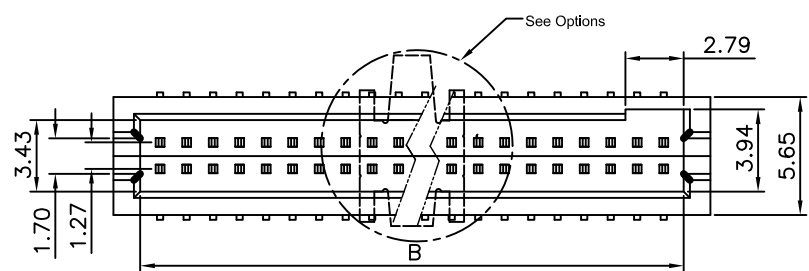


REV.	SPECIFICATION	ECN NO.	APPD.
R6		ECN220859	

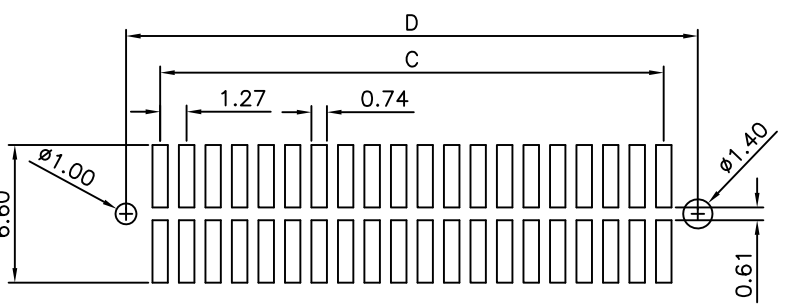
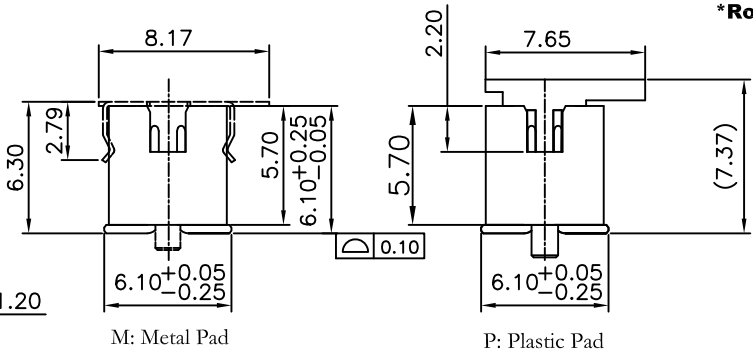
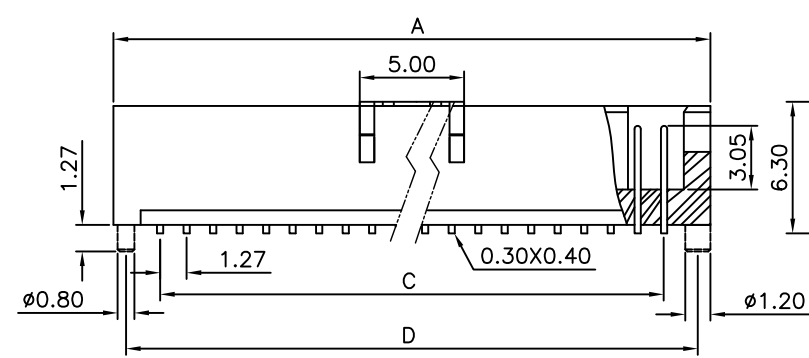


Material and Plating:

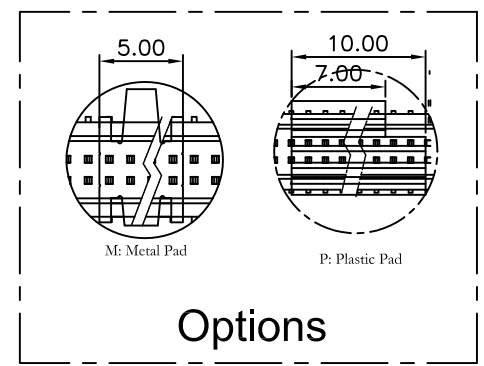
Housing: LCP, UL94V-0, Black.
 Contacts: Brass.
 Gold Plated on Contact Area and 80u"Min Tin Plated or Gold Flash on Solder Tail over Nickel 50u" Min .

Electrical Characteristics:

Current Rating: 1 AMP .
 Dielectric Withstanding Voltage: AC 500V For 1 minute.
 Insulator Resistance: 1000MΩ min.at DC 500V.
 Contact Resistance: 20mΩ max.at DC 100mA.
 Operating Temperature: -65°C ~+125°C .
***RoHS Compliant**



P.C. Board Layout



Options

Series 2216-xx C xx D P x -x
 No. of Pin Count
 C: Selective Gold Plated
 G: Gold Plated
 00: G/F
 10: 10 μ"
 15: 15 μ"
 30: 30 μ"
 D: Surface Mount
 P: With Post
 U: Tube Package
 T: Tape & Reel Package
 Blank: Without Pad
 M: Metal Pad
 P: Plastic Pad

Position	10 Thru 100
Dimension	
A	1.27 X No. of Positions /2+3.18
B	1.27 X No. of Positions /2+0.64
C	1.27 X No. of Positions /2-1.27
D	1.27 X No. of Positions /2+1.91

Tolerances	Dwg. No.	2216D01011	Title:	2216 Series Box Header	 OUPIIN ELECTRONIC(KUNSHAN) CO., LTD. P/N: 2216-xxCxxDPx-x SHEET 1/1 Ver.No. R6
x = ±0.5	Projection		1.27mmX1.27mm(0.050"X0.050")		
.x = ±0.25	Unit	mm		Scale	
.xx = ±0.15	Drawn By	CCH8/25/22			