

REV.	SPECIFICATION	ECN NO.	APPD.
R4		ECN230928	

**Material and Plating:**

Housing: LCP, UL94V-0, BLACK.  
 Power Contacts: High Conductivity Copper .  
 Au+Pd/Ni or Gold Plated on Contact Area and 80u" Min Tin Plated on Press Fit over Nickel 50u" Min.  
 Signal Contacts : Phosphor Bronze .  
 Au+Pd/Ni or Gold Plated on Contact Area and 80u" Min Tin Plated on Press Fit over Nickel 50u" Min.

**Electrical Characteristics:**

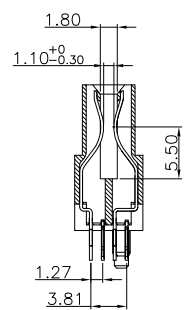
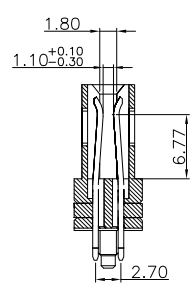
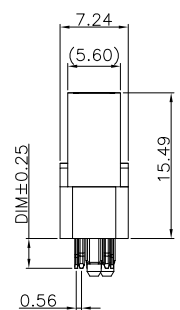
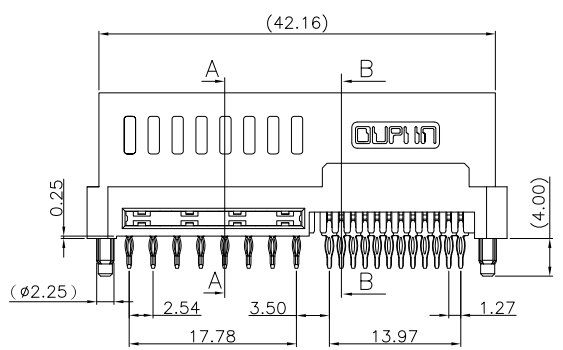
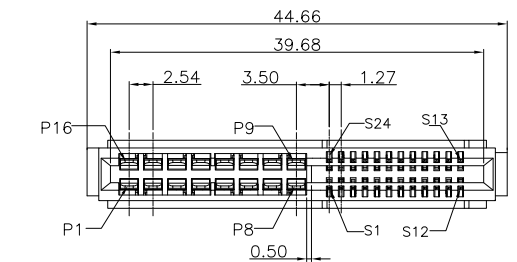
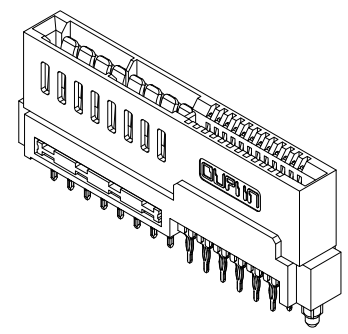
Current Rating: Signal Pin 1.5 AMP.  
 Power Pin 12.5AMP(UL).  
 Dielectric Withstanding Voltage:  
 Signal Pin DC 500V For 1 minute.  
 Power Pin DC 1000V For 1 minute.

Insulator Resistance: Signal Pin 500MΩ min. at DC 500V.  
 Power Pin 5000MΩ min. at DC 500V.  
 Contact Resistance: Signal Pin 25mΩ max.  
 Power Pin 0.6mΩ max.

Operating Temperature: -55°C ~+105°C .

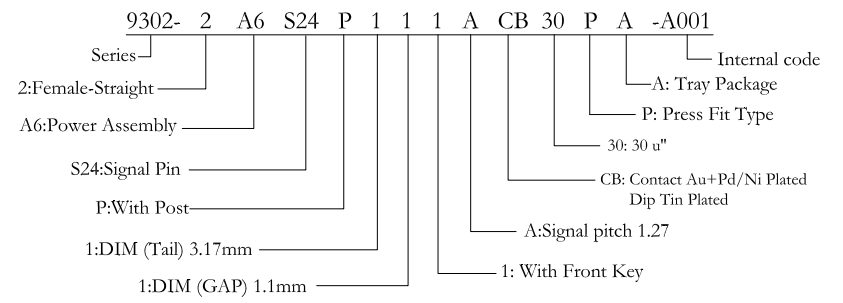
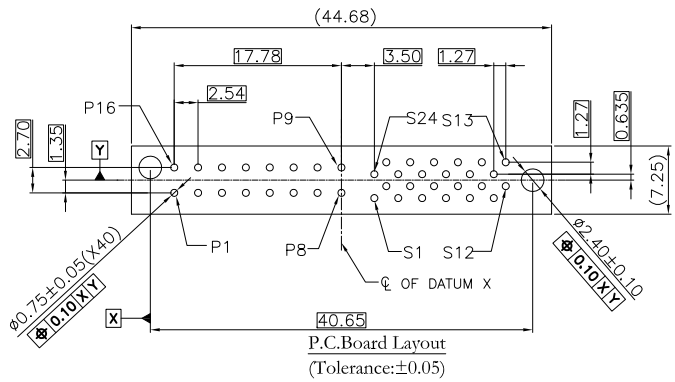
**\*RoHS Compliant**

Note: Position of Post



SECTION A-A

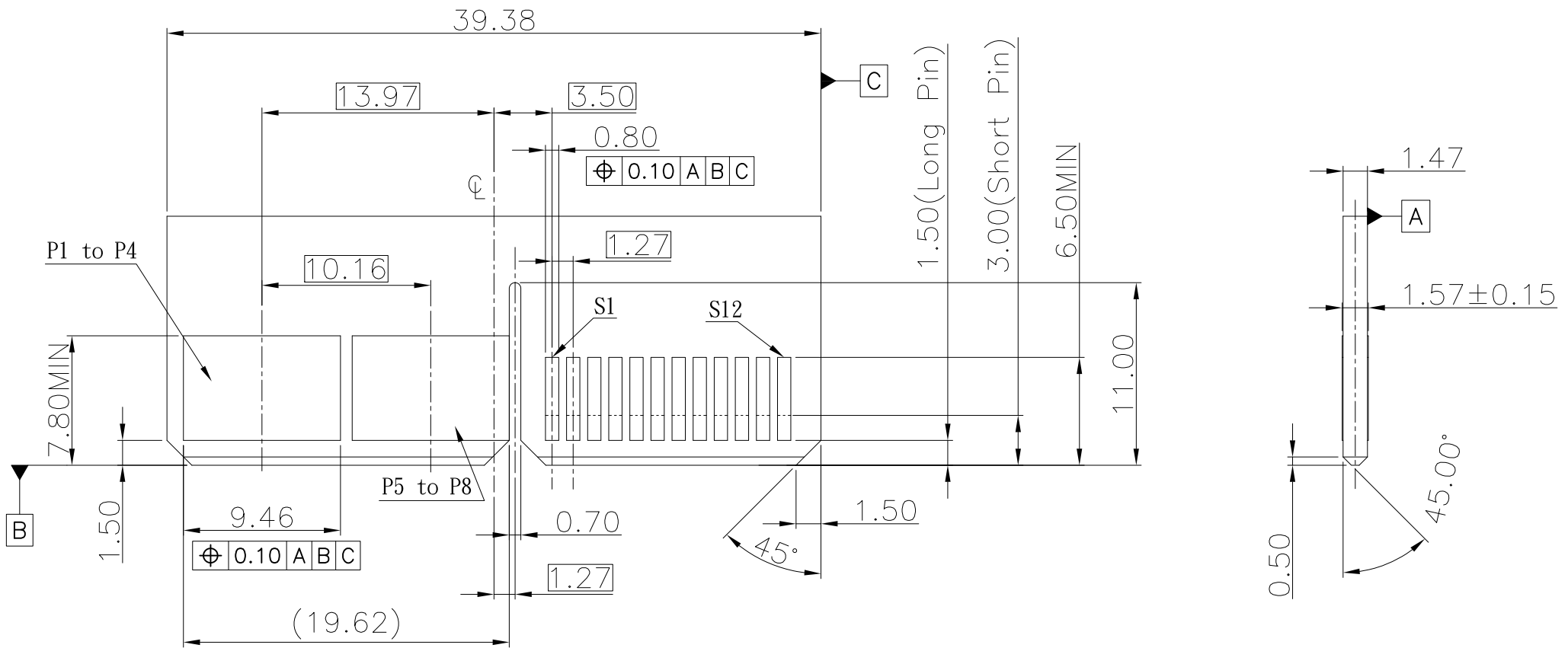
SECTION B-B




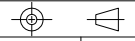
Tolerances	Dwg. No.	9302-D0000-067	Title:
X=±0.50	Projection		9302 Series High Power and Signal Edge Card Connector
.X=±0.25	Unit	mm	
.XX=±0.15	Scale	1:1	
	Drawn By	GYJ 09/19'23	

OUPIIN ELECTRONIC(KUNSHAN) CO., LTD.			
P/N:9302-2A6S24P111ACB30PA-A001			
SHEET	1/2	Ver.No.	R4

REV.	SPECIFICATION	ECN NO.	APPD.
R4		ECN230928	



**RECOMMENDED MATTING BOARD FOOTPRINT**  
(Tolerance:±0.05)

Tolerances	Dwg. No.	9302-D0000-067	Title:		 OUPIIN ELECTRONIC(KUNSHAN) CO., LTD. P/N: 9302-2A6S24P111ACB30PA-A001
X=±0.50	Projection		9302 Series High Power and Signal Edge Card Connector		
.X=±0.25	Unit	mm	Scale	1:1	
.XX=±0.15	Drawn By	GYJ 09/19'23	©		SHEET 2/2 Ver.No. R4