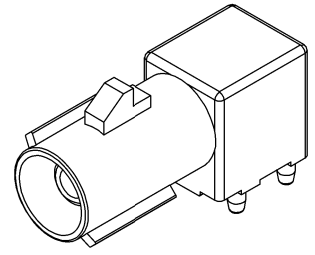
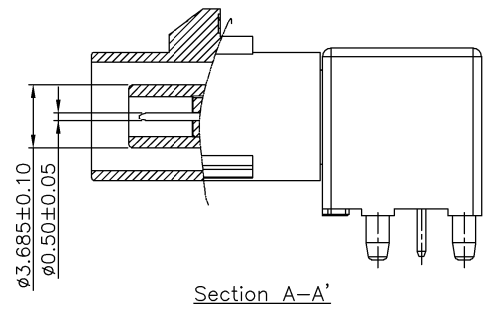
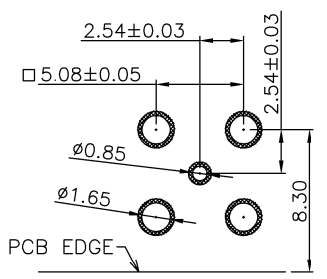
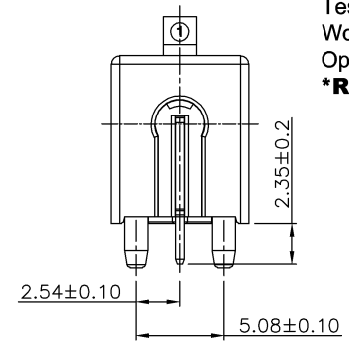
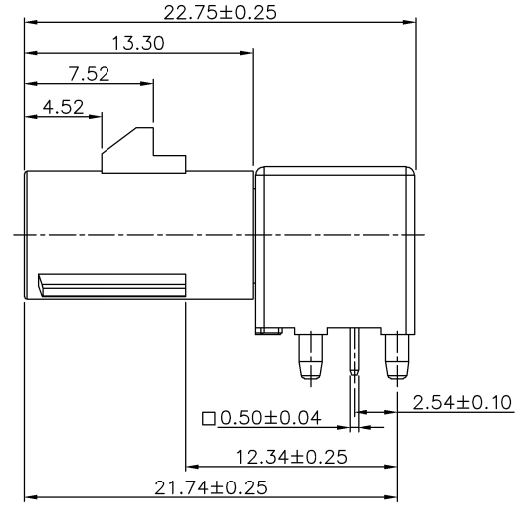
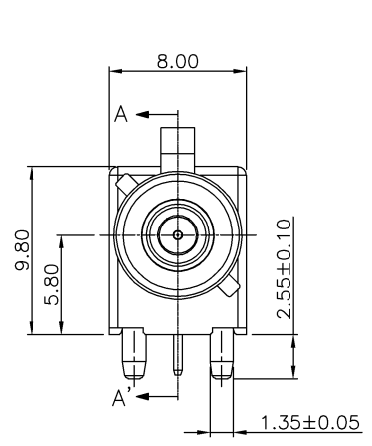


REV.	SPECIFICATION	ECN NO.	APPD.

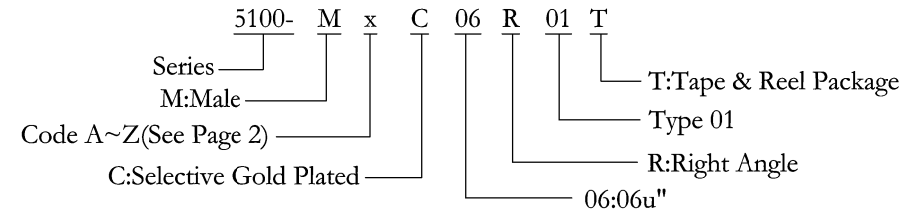


**Material:**  
Housing: PPA, UL94V-0.  
Spacer: LCP, UL94V-0, Black.  
Contacts: Phosphor Bronze, 6u" Gold Plated on Contact Area  
Tin Plated on Solder Tail over Nickel.  
Socket: Zinc Alloy, Nickel Plated.

**Characteristics:**  
Impedance: 50Ω.  
Frequency range: DC to 6GHz  
Return Loss: ≤ 20 dB to 0~6 Ghz.  
Insertion Loss:  
≥ -0.25 dB @ 0~1 GHz  
≥ -0.35 dB @ 1~2.5 GHz  
≥ -0.45 dB @ 2.5~4 GHz  
≥ -0.55 dB @ 4~5.5 GHz  
≥ -0.65 dB @ 5.5~6 GHz  
Insulation resistance: 100MΩ min.  
Contact Resistance: 24mΩ max.  
Test Voltage: 500V rms.  
Work Voltage: 48V rms.  
Operating Temperature: -40°C~+105°C.  
**\*RoHS Compliant**



RECOMMEND PCB LAYOUT  
TOLERANCE: ±0.05 mm  
PAD WIDTH: 0.25mm



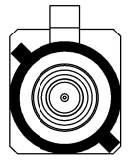
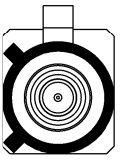
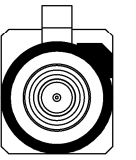
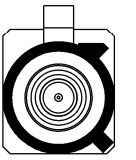

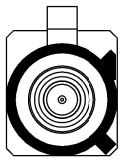
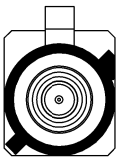
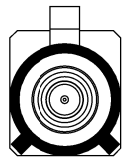
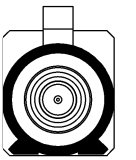
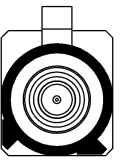
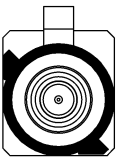
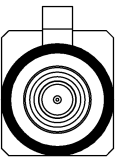



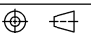
Tolerances	Dwg. No.	S2120220531-01		Title:	5100 Series FAKRA Connector Plug Right Angle Type		
x. = ±0.30	Projection			① 619	SHEET 1/2 Ver.No. X4		
.x = ±0.20	Unit	mm	Scale				1:N
.xx = ±0.15	Drawn By	Martin 12/14'22					
.xxx = ±0.10							

<b>OUPIN</b>			
OUPIN ELECTRONIC(KUNSHAN) CO., LTD.			
P/N: 5100-MxC06R01T			
SHEET	1/2	Ver.No.	X4

REV.	SPECIFICATION	ECN NO.	APPD.

”\*”Available Code

* CODE A	CODE B	* CODE C	CODE D	CODE E	CODE F	CODE G
						
BLACK	WHITE	BLUE	BORDEAUX	GREEN	BROWN	GARY
CODE H	CODE I	CODE K	CODE L	CODE M	CODE N	* CODE Z
						
VIOLET	BEIGE	CURRY	CARMINE RED	PASTEL ORANGE	PASTEL GREEN	WATER BLUE

<b>Tolerances</b> x. = ±0.30 .x = ±0.20 .xx = ±0.15 .xxx = ±0.10	<b>Dwg. No.</b>	S2120220531-01		<b>Title:</b> 5100 Series FAKRA Connector Plug Right Angle Type	 <b>OUPIIN ELECTRONIC(KUNSHAN) CO., LTD.</b> P/N: 5100-MxC06R01T	
	<b>Projection</b>					
	<b>Unit</b>	<i>mm</i>	<b>Scale</b>			1:N
	<b>Drawn By</b>	Martin 12/14'22				① 619
<b>SHEET</b>			2/2	<b>Ver.No.</b>	X4	